

DARKLITE® WASHLITE® PWG/4

recessed wallwasher

FEATURES

- **Darklite Washlite PWG/4 is a 4" aperture accent light** designed for use with a Philips 12-volt, GU5.3 base, MR-16 shaped, 'WarmGlow' retrofit LED lamp (supplied by others).
 - Philips WarmGlow 6.5MR16...
- **This lamp dims from 2700K to 2200K**, providing an experience similar to the dimming profile of an incandescent lamp.
- **Recess depth is only 6 3/4"**.
- **The optical assembly consists of a lamp holder, an internal reflector, a 40° x 70° glass spread lens and an external reflector.** Precise optical design provides uniform illumination on vertical surfaces up to the ceiling line and minimizes aperture brightness. The optical assembly provides 360° horizontal rotation and may be removed from the fixture housing as a unit for easy relamping.
- **Fixture accepts one of a number of Optical Accessories** including screens and various color filters.
- **Reflectors are available in three clear natural aluminum finishes** — semi-specular (C), slightly diffuse (V) or fully diffuse (EC) — as well as champagne gold or black Alzak®. Other reflector finishes are available on special order.
- **Fixture includes a pair of mounting bars (3/4" x 27" C channel).** Specialty bars for wood joist and T-bar installations are also available.
- **For more information, [click here](#).**

APPLICATIONS

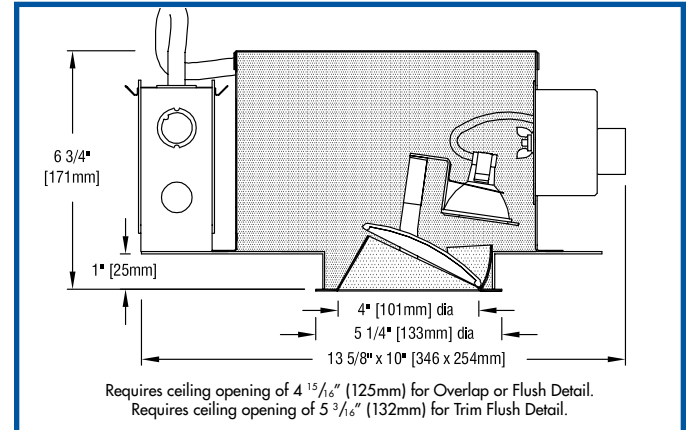
Fixture is recommended for wallwashing in stores, offices, museums, restaurants, showrooms, residences and hotels.

Standard fixture is  listed for Damp Location. Fixture includes an integral electronic transformer suitable for 120-volt service only. Fixture is prewired with thermal protector, suitable for use in a fire rated ceiling and approved for ten #12 wire 90°C branch circuit pull-through wiring. Removal of the reflector allows access to the transformer and junction box.



Lamp (By Others) Dimming Info

Edison Price Lighting does not include lamps and does not sell either lamps or their accessories. For dimming compatibility consult the lamp manufacturer's website.



PRODUCT CODE

For complete product code, list basic unit and select one item from each following box.

Basic Unit FOUR-MRE-WL-PWG

Reflector Color and Detail	Overlap	Trim Flush*
Semi-specular Clear.....	COL.....	CTF
Slightly diffuse Clear.....	VOL.....	VTF
Fully diffuse Clear.....	ECOL.....	ECTF
Champagne Gold.....	GOL.....	GTF
Black.....	BOL.....	BTF

Other reflector finishes available on special order.

Standard reflector flange continues reflector finish. White painted flanges and custom painted flanges are available on special order. Add WF (white flange) or CCF (custom color flange).
*Trim Flush reflector trim requires the use of a plaster ring Accessory (see below).

▶ Reflectors detailed for metal or wood ceilings available on special order.

OPTICAL ACCESSORIES

Specify as separate line items.

All are 2 3/8" (60mm) dia. Lenses and filters are glass; screens are aluminum.

color filters

Daylight Blue	DAY/2.375	
Surprise Pink	PNK/2.375	
amber		AMB/2.375
blue (50-watt max. lamp)		BLU/2.375
green (50-watt max. lamp)		GRN/2.375
red (50-watt max. lamp)		RED/2.375
33% light reduction screen (50-watt max. lamp)		SCR33/2.375
50% light reduction screen (50-watt max. lamp)		SCR50/2.375

ACCESSORIES

Specify as a separate line item.

Plaster ring allows use of 4 7/8" OD Trim Flush (-TF) reflector in sheetrock ceiling; 5 3/16" dia hole required.....TF RING/4



DARKLITE WASHLITE PWG/4



For current lamp performance data, consult lamp manufacturer's website.