

WET LOCATION MRE/4


recessed outdoor downlight

WET LOCATION - OUTDOOR APPLICATION - WET LOCATION - OUTDOOR APPLICATION - WET LOCATION - OUTDOOR APPLICATION - WET LOCATION

FEATURES

- **Wet Location MRE/4 is an outdoor downlight** designed for use with 12-volt, GU5.3 base, MR16-shaped retrofit lamps (by others) including:
 - Philips 6.6 watt 6.6MR16/LED... or 7.0 watt 7MR16/LED...
 - SORAA 7.5 watt or 9.0 watt Brilliant or Vivid.
- **Reflector design minimizes aperture brightness** with a shielding angle of 43°. Recess depth is only 6 1/2".
- **Reflector mounts a 5/32" thick prismatic glass lens** which both protects the lamp from a direct spray of water and diffuses light distribution anomalies caused by lamp imperfections. Reflector assembly is attached to the fixture housing with positive torsion springs that pull the reflector flange tight to the ceiling. Reflector assembly is secured to the fixture housing by a safety chain.
- **Reflector is available in three clear natural aluminum finishes** — semi-specular (C), slightly diffuse (V) or fully diffuse (EC) — as well as champagne gold and black Alzak®. Other reflector finishes are available on special order.
- **Fixture includes a pair of mounting bars** (3/4" x 27" C channel). Specialty bars for wood joist and T-bar installations are also available.
- **For more information, [click here](#).**

APPLICATIONS

Fixture is  listed for Wet Location on 120-volt service only with covered ceiling only.

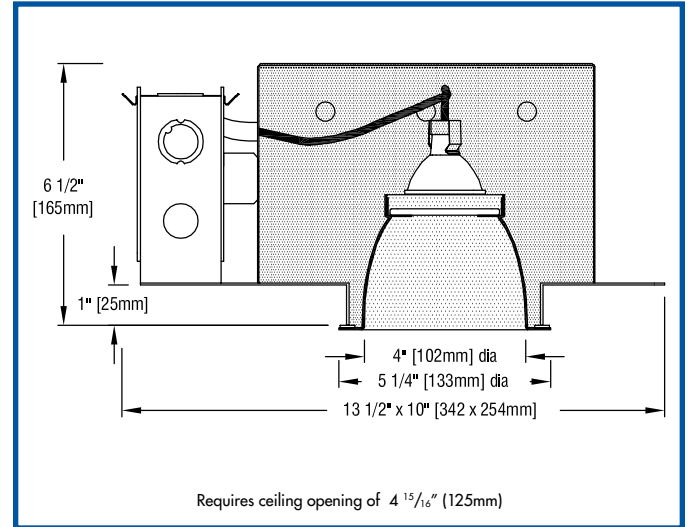
Fixture includes an integral electronic transformer protected by a thermal auto-reset switch. Fixture is prewired with thermal protector, suitable for use in a fire rated ceiling and approved for



ten #12 wire 90°C branch circuit pull-through wiring. Removal of the reflector allows access to the transformer and junction box.

Lamp (By Others) Dimming Info

Edison Price Lighting does not include lamps and does not sell either lamps or their accessories. For dimming compatibility consult the lamp manufacturer's website.



PRODUCT CODE

For complete product code, list basic unit and select one item from each following box.

Basic Unit	SHW-MRE-4
Reflector and Flange Color	
Semi-specular Clear.....	COL
Slightly diffuse Clear.....	VOL
Fully diffuse Clear.....	ECOL
Champagne Gold	GOL
Black	BOL
Other reflector finishes available on special order.	
Standard reflector flange continues reflector finish. White painted flanges and custom painted flanges are available on special order. Add WF (white flange) or CCF (custom color flange).	

WET LOCATION MRE/4



For current lamp performance data, consult lamp manufacturer's website.