

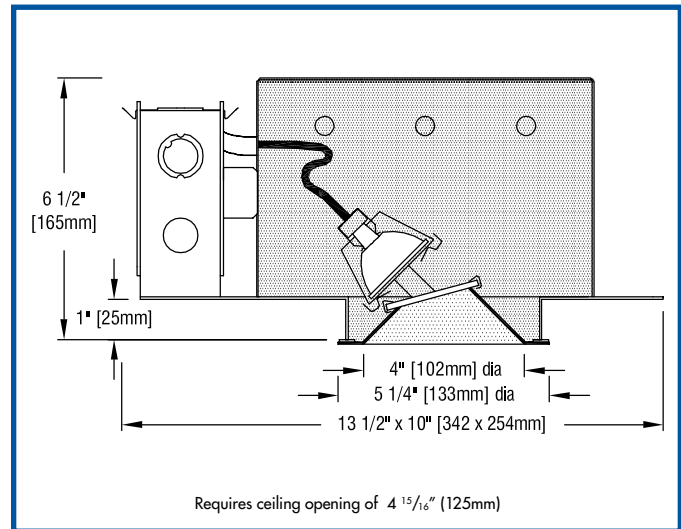
# WET LOCATION MRE/4 AA

recessed MR16 LED wet location accent light

WET LOCATION - OUTDOOR APPLICATION - WET LOCATION - OUTDOOR APPLICATION - WET LOCATION - OUTDOOR APPLICATION - WET LOCATION

## FEATURES

- Wet Location MRE/4 AA is a wet location accent light** designed for use with a 12-volt, GU5.3 base, MR16-shaped retrofit lamp (by others) including:
  - Philips 6.6 watt 6.6MR16/LED
  - 7.0 watt 7MR16/LED
  - Philips 6.5 watt WarmGlow 6.5MR16, dim-to-warm
  - Soraa 7.5 watt or 9.0 watt Brilliant or Vivid LED
  - Additional lamps may be suitable. Contact factory with inquiries.
- Conical reflector, cut at 15°, minimizes aperture brightness.** Fixture provides 358° horizontal rotation and 0 – 45° angular lamp adjustment. Lamp is concentric with the aperture at 0°, allowing fixture to be used as a downlight.
- The fixture provides easy one-finger adjustment of both tilt and rotation after lamping.** Once focused, the adjustment can be locked in place by means of two very accessible thumb screws.
- Reflector mounts a 5/32" thick prismatic glass lens** which protects the lamp from a direct spray of water. Reflector assembly is attached to the fixture housing with positive torsion springs that pull the reflector flange tight to the ceiling.
- Reflector is available in three clear natural aluminum finishes** — semi-specular (C), slightly diffuse (V) or fully diffuse (EC) — as well as champagne gold and black Alzak®. Other reflector finishes are available on special order.
- Fixture includes a pair of mounting bars** (3/4" x 27" C channel). Specialty bars for wood joist and T-bar installations are also available.
- Housing is constructed from 16-gauge electro-zinc steel** in Edison Price Lighting's American factory. Heavy-gauge metals and American manufacturing guarantees long-lasting durability.
- For more information, [click here.](#)**



## PRODUCT CODE

For complete product code, list basic unit and select one item from each following box.

Basic Unit .....	SHW-ANGLUX-MRE
Reflector and Flange Color	
Semi-specular Clear .....	COL
Slightly diffuse Clear .....	VOL
Fully diffuse Clear .....	ECOL
Champagne Gold .....	GOL
Black .....	BOL
Other reflector finishes available on special order.	
Standard reflector flange continues reflector finish. White painted flanges and custom painted flanges are available on special order. Add WF (white flange) or CCF (custom color flange).	

## APPLICATIONS

Fixture is  listed for Wet Location on 120-volt service only with covered ceiling only.

Fixture includes an integral electronic transformer protected by a thermal auto-reset switch. Fixture is prewired with thermal protector, suitable for use in a fire rated ceiling and approved for ten #12 wire 90°C branch circuit pull-through wiring. Removal of the reflector allows access to the transformer and junction box.



### Lamp (By Others) Dimming Info

Edison Price Lighting does not include lamps and does not sell either lamps or their accessories. For dimming compatibility consult the lamp manufacturer's website.

- Standard recessed, see [FOUR MRE/4 AA](#)
- Install-from-below, see [PRESTO MRE/4 AA](#)
- Wet Location downlight, see [Wet Location MRE/4](#)



# WET LOCATION MRE/4 AA

---



For current lamp performance data, consult lamp manufacturer's website.