

Project

Type



Date

Product Code

Designer

# DARKLITE® ARE/6AA

recessed AR111 LED accent light

## FEATURES

- **Darklite ARE/6AA is a 6" aperture adjustable angle accent light** designed for use with a 12-volt, G53 base, AR111-shaped retrofit lamp (by others) including:
  - Philips 11 watt 11AR111/LED ... includes an 8° beam  
20 watt 20AR111/LED ... includes a 15° beam
  - Soraa 12.5 watt Vivid ... includes an 8° beam  
18.5 watt Vivid ... includes a 9° beam
  - Additional lamps may be suitable. Contact factory with inquiries.
- **Fixture has 0-35° angular adjustment with 358° horizontal rotation with lockable focus.** When adjusted for downlighting (0°), lamp is centered within reflector. Precise reflector design minimizes aperture brightness.
- **A 120-/12-volt electronic transformer is standard.** A 277/12-volt electronic transformer is available as an option.
- **Three reflector cuts are available – 0°, 20° and 30° –** to minimize sightlines from below into the fixture.
- **If used with a retrofit LED lamp above which draw less than 20 watts,** fixture accepts one or two of a number of Optical Accessories including lenses, color filters and screens.
- **Reflectors are available in three clear natural aluminum finishes** — semi-specular (C), slightly diffuse (V) or fully diffuse (EC) — as well as champagne gold or black Alzak®. Other reflector finishes are available on special order.
- **Housing is constructed from 20-gauge electro-zinc, polyester-coated steel** in Edison Price Lighting's American factory. Heavy-gauge metals, an additional protective coating, and American manufacturing guarantee long-lasting durability.
- **Darklite ARE/6AA includes a pair of mounting bars** (3/4" x 27" C channel). Specialty bars for wood joist and T-bar installations are also available.
- **For more information, [click here.](#)**

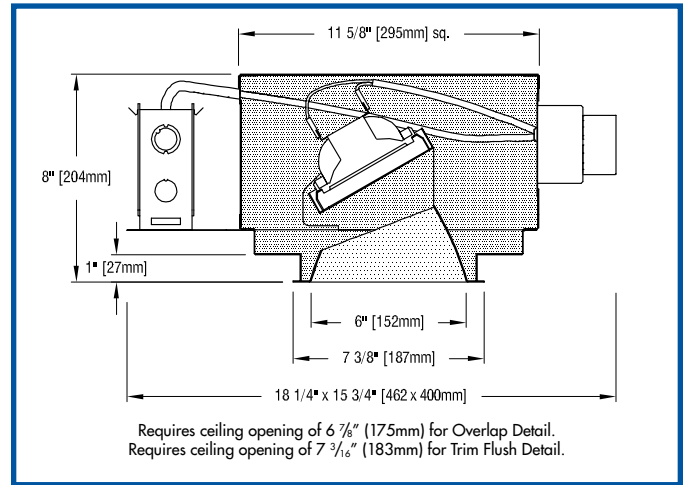
## APPLICATIONS

Fixture is cULus listed for Damp Location. Fixture is prewired with thermal protector, suitable for use in a fire rated ceiling and approved for ten #12 wire 75°C branch circuit pull-through wiring. Junction box and transformer are accessible through the aperture of the fixture.



### LAMP (BY OTHERS) DIMMING INFO

Edison Price Lighting does not include lamps and does not sell either lamps or their accessories. For dimming compatibility consult the lamp manufacturer's website.



## PRODUCT CODE

For complete product code, list basic unit and select one item from each following box.

Basic Unit .....	DL-ARE-6AA
Reflector Type	
Downlight .....	0
0 – 20° angular adjustment .....	20
20 – 35° angular adjustment .....	30

Reflector Color and Detail	Overlap	Trim Flush*
Semi-specular Clear .....	COL .....	CTF
Slightly diffuse Clear .....	VOL .....	VTF
Fully diffuse Clear .....	ECOL .....	ECTF
Champagne Gold .....	GOL .....	GTF
Black .....	BOL .....	BTF
Other reflector finishes are available on special order.		
Overlap Flange continues reflector finish. White painted flanges and custom painted flanges are available on special order. Add WF (white flange) or CCF (custom color flange).		
*Trim Flush reflector trim requires the use of a plaster ring Accessory (see below).		
▶ Reflectors detailed for metal or wood ceilings available on special order.		

## ACCESSORIES Specify as a separate line item.

<b>Plaster ring</b> allows use of 6 7/8" OD Trim Flush (-TF) reflector in sheetrock ceiling; 7 3/16" dia hole required.....	TF RING/6
---	-----------

## OPTICAL ACCESSORIES ▼



## OPTICAL ACCESSORIES

*Specify as separate line items.*

*All are 4 3/4" (121mm) dia.*

<b>30° spread lens</b> .....	<i>not for use wih a 20-watt or greater lamp</i> .....	LENS/4.75-30
<b>20° x 55° spread lens</b> .....	<i>not for use wih a 20-watt or greater lamp</i> .....	LENS/4.75
<b>70° spread lens</b> .....	<i>not for use wih a 20-watt or greater lamp</i> .....	LENS/4.75-70
<b>prismatic lens (Solite)</b> .....	<i>not for use wih a 20-watt or greater lamp</i> .....	PLS/4.75
<b>40° x 70° spread lens</b> .....	<i>not for use wih a 20-watt or greater lamp</i> .....	LENS/4.75-4070
<b>beam smoother</b> .....	<i>not for use wih a 20-watt or greater lamp</i> .....	CLR/4.75
<b>UV filter</b> .....	<i>not for use wih a 20-watt or greater lamp</i> .....	UVF/4.75
<b>color filters</b>		
Daylight Blue .....	<i>not for use wih a 20-watt or greater lamp</i> .....	DAY/4.75
Surprise Pink .....	<i>not for use wih a 20-watt or greater lamp</i> .....	PNK/4.75
amber .....	<i>not for use wih a 20-watt or greater lamp</i> .....	AMB/4.75
blue .....	<i>not for use wih a 20-watt or greater lamp</i> .....	BLU/4.75
green .....	<i>not for use wih a 20-watt or greater lamp</i> .....	GRN/4.75
red .....	<i>not for use wih a 20-watt or greater lamp</i> .....	RED/4.75
<b>33% light reduction screen</b> .....	<i>not for use wih a 20-watt or greater lamp</i> .....	SCR33/4.75
<b>50% light reduction screen</b> .....	<i>not for use wih a 20-watt or greater lamp</i> .....	SCR50/4.75

For current lamp performance data, consult lamp manufacturer's website.