

Project

Type



Date

Product Code

Designer

DARKLITE® ARE/6AA

recessed accent light

FEATURES

Darklite ARE/6AA is a 6" aperture adjustable angle accent light designed for use with a 12-volt, G53 base, AR111-shaped retrofit lamps (by others) including:

- Philips 11 watt 11AR111/LED... includes an 8° beam
16 watt 16AR111/LED... includes a 25° beam
20 watt 20AR111/LED... includes a 15° beam
- SORAA 6.0 watt Brilliant or Vivid a 4° beam
12.5 watt Brilliant or Vivid includes an 8° beam
18.5 watt Brilliant or Vivid includes a 9° beam

Fixture has 0-35° angular adjustment with 358° horizontal rotation with lockable focus. When adjusted for downlighting (0°), lamp is centered within reflector. Precise reflector design minimizes aperture brightness. Recess depth in only 8".

A 120-/12-volt electronic transformer is standard. A 277/12-volt electronic transformer is available as an option.

If used with one of the five lamps above which draw less than 20 watts, fixture accepts one or two of a number of Optical Accessories including lenses, color filters and screens.

Three reflector cuts are available - 0°, 20° and 30° - to minimize sightlines from below into the fixture.

Reflectors are available in three clear natural aluminum finishes — semi-specular (C), slightly diffuse (V) or fully diffuse (EC) — as well as champagne gold or black Alzak®. Other reflector finishes are available on special order.

Darklite ARE/6AA includes a pair of mounting bars (3/4" x 27" C channel). Specialty bars for wood joist and T-bar installations are also available.

For more information, [click here](#).

APPLICATIONS

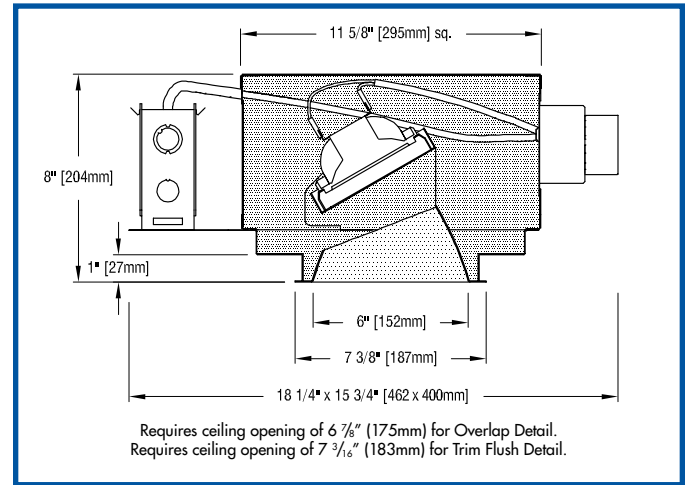
Fixture is recommended for directional accent and display highlighting in stores, offices, museums, restaurants, showrooms and residences.

Fixture is  listed for Damp Location. Fixture is prewired with thermal protector, suitable for use in a fire rated ceiling and approved for ten #12 wire 75°C branch circuit pull-through wiring. Junction box and transformer are accessible through the aperture of the fixture.



LAMP (BY OTHERS) DIMMING INFO

Edison Price Lighting does not include lamps and does not sell either lamps or their accessories. For dimming compatibility consult the lamp manufacturer's website.



PRODUCT CODE

For complete product code, list basic unit and select one item from each following box.

| | |
|-----------------------------------|------------|
| Basic Unit | DL-ARE-6AA |
| Reflector Type | |
| Downlight | 0 |
| 0 - 20° angular adjustment | 20 |
| 20 - 35° angular adjustment | 30 |

| Reflector Color and Detail | Overlap | Trim Flush* |
|---------------------------------------------------------------------------------------------------------------------------------------------------------------------------------|------------|-------------|
| Semi-specular Clear..... | COL | CTF |
| Slightly diffuse Clear..... | VOL | VTF |
| Fully diffuse Clear..... | ECOL | ECTF |
| Champagne Gold | GOL | GTF |
| Black | BOL | BTF |
| Other reflector finishes are available on special order. | | |
| Overlap Flange continues reflector finish. White painted flanges and custom painted flanges are available on special order. Add WF (white flange) or CCF (custom color flange). | | |
| *Trim Flush reflector trim requires the use of a plaster ring Accessory (see below). | | |
| ▶ Reflectors detailed for metal or wood ceilings available on special order. | | |

ACCESSORIES *Specify as a separate line item.*

| | |
|-----------------------------------------------------------------------------------------------------------------------------|-----------|
| Plaster ring allows use of 6 7/8" OD Trim Flush (-TF) reflector in sheetrock ceiling; 7 3/16" dia hole required..... | TF RING/6 |
|-----------------------------------------------------------------------------------------------------------------------------|-----------|

OPTICAL ACCESSORIES ▶ *over, please*



OPTICAL ACCESSORIES

Specify as separate line items.

All are 4 3/4" (121mm) dia. Lenses and filters are glass; screens are aluminum.

| | | |
|-----------------------------------------|----------------------------------------------------|----------------|
| 30° spread lens | <i>not for use wih Philips 20-watt lamps</i> | LENS/4.75-30 |
| 20° x 55° spread lens | <i>not for use wih Philips 20-watt lamps</i> | LENS/4.75 |
| 70° spread lens | <i>not for use wih Philips 20-watt lamps</i> | LENS/4.75-70 |
| prismatic lens (Solite) | <i>not for use wih Philips 20-watt lamps</i> | PLS/4.75 |
| 40° x 70° spread lens | <i>not for use wih Philips 20-watt lamps</i> | LENS/4.75-4070 |
| beam smoother | <i>not for use wih Philips 20-watt lamps</i> | CLR/4.75 |
| UV filter | <i>not for use wih Philips 20-watt lamps</i> | UVF/4.75 |
| color filters | | |
| Daylight Blue | <i>not for use wih Philips 20-watt lamps</i> | DAY/4.75 |
| Surprise Pink | <i>not for use wih Philips 20-watt lamps</i> | PNK/4.75 |
| amber | <i>not for use wih Philips 20-watt lamps</i> | AMB/4.75 |
| blue | <i>not for use wih Philips 20-watt lamps</i> | BLU/4.75 |
| green | <i>not for use wih Philips 20-watt lamps</i> | GRN/4.75 |
| red | <i>not for use wih Philips 20-watt lamps</i> | RED/4.75 |
| 33% light reduction screen | <i>not for use wih Philips 20-watt lamps</i> | SCR33/4.75 |
| 50% light reduction screen | <i>not for use wih Philips 20-watt lamps</i> | SCR50/4.75 |

For current lamp performance data, consult lamp manufacturer's website.