

Project

Date

Product Code

Type

Designer



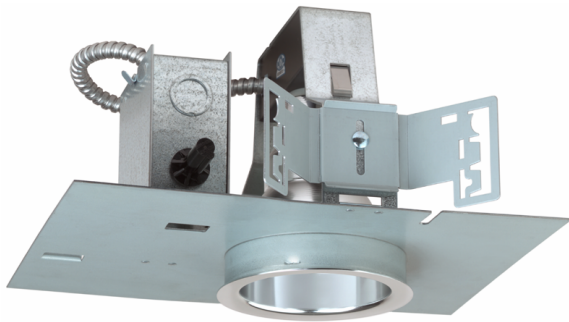
APLUS 19E/4

recessed LED A lamp downlight/wallwasher

COMPETITIVELY PRICED – EPL QUALITY – COMPETITIVELY PRICED – EPL QUALITY – COMPETITIVELY PRICED – EPL QUALITY – COMPETITIVELY PRICED

FEATURES

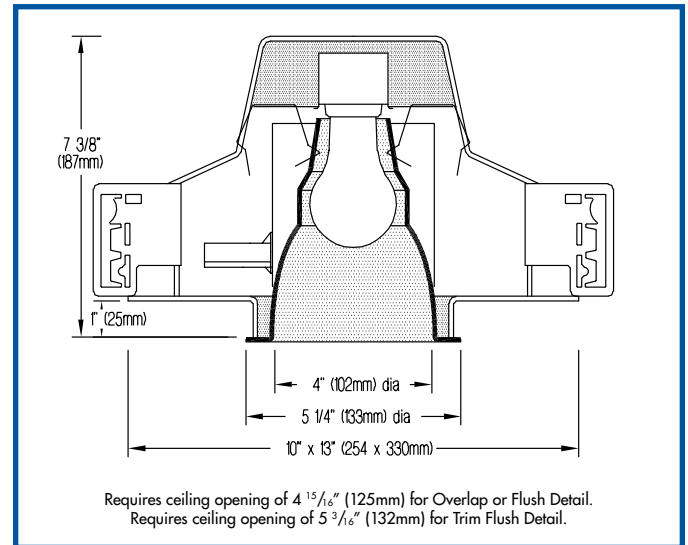
- **APLUS19E/4 is a 4" aperture downlight/wallwasher** which has been checked for fit and initial operation with A19 LED retrofit lamps manufactured by
 - Cree
 - Green Creative
 - Additional lamps may be suitable. Contact factory with inquiries.
- **One basic housing allows interchangeable use of the downlight and wallwash reflectors.** This permits housings to be installed first and reflectors installed or changed at any time. Wallwash reflectors available are: wallwash (120°), corner wallwash (210°), and double wallwash (2x120°).
- **The fixture provides a shielding angle of 42°.** Precise reflector design minimizes aperture brightness.
- **Housing is constructed from 14 and 16-gauge electro-zinc steel** in Edison Price Lighting's American factory. Heavy-gauge metals and American manufacturing guarantees long-lasting durability.
- **Reflectors are available in three clear natural aluminum finishes** — semi-specular (C), slightly diffuse (V) or fully diffuse (EC) — as well as champagne gold Alzak®. Other reflector finishes are available on special order.
- **Fixture includes a pair of mounting bars (3/4" x 27" C channel).** Specialty bars for wood joist and T-bar installations are also available.
- **For more information, [click here](#).**



APPLICATIONS

Fixture is listed for Damp Location. Fixture is prewired with thermal protector and approved for ten #12 wire 75°C branch circuit pull-through wiring. Removal of the reflector allows access to the junction box.

Install-from-below, see [PRESTO APLUS 19E/4](#)
 IC-rated, see [EPIC APLUS 19E/4](#)
 Surface and pendant mounted, see [APLUS 19E SM AND PM](#)



PRODUCT CODE

For complete product code, list basic unit and select one item from each following box.

Basic Unit	A19/4	
Reflector Type		
Downlight	no suffix	
Wallwash	WW	
Corner Wallwash	CWW	
Double Wallwash	DWW	
Reflector Color and Detail	<i>Overlap</i>	<i>Trim Flush*</i>
Semi-specular Clear	COL	CTF
Slightly diffuse Clear	VOL	VTF
Fully diffuse Clear	ECOL	ECTF
Champagne Gold	GOL	GTF
Other reflector finishes are available on special order.		
Standard reflector flange continues reflector finish. White painted flanges and custom painted flanges are available on special order. Add WF (white flange) or CCF (custom color flange).		
*Trim Flush reflector trim requires the use of a plaster ring Accessory (see below).		
▶ Reflectors detailed for metal or wood ceilings available on special order.		

ACCESSORIES

Specify as separate line items.

Plaster ring allows use of 4 7/8" OD Trim Flush (-TF) reflector in sheetrock ceiling; 5 3/16" dia hole required.....TF RING/4

LAMPS BY OTHERS
 Lamp (lightbulb) not included with fixture.

DIMMING
 For dimming compatibility consult the lamp manufacturer's website.



Proration: The photometric data below is the result of a test with a 1465 lumen incandescent A19 lamp. To predict performance, prorate this data by the lumen output of the LED A19 lamp you choose to use.

PHOTOMETRIC REPORT

Report No. 46666. Original Independent Testing Laboratories, Inc. (ITL) test report furnished upon request.

Luminaire recessed incandescent with spun aluminum reflector, specular finish

Lamp 90-watt A-19, 1465 lumens

Efficiency 49.7%

Spacing Criterion..... 0.9

ZONAL LUMEN SUMMARY

Zone	Lumens	% Lamp	% Fixture
0 - 30°	481	32.2	66.1
0 - 40°	654	44.6	89.8
0 - 60°	728	49.7	100.0
0 - 90°	728	49.7	100.0
90 - 180°	0	0.0	0.0
0 - 180°	728	49.7	100.0

LUMINANCE DATA

Vertical Angle	Candela/m ²
45	14921
55	404
65	0
75	0
85	0

To convert cd/m² to footlamberts multiply by 0.2919.

CANDLEPOWER DISTRIBUTION

Vertical Angle	Candela
0	795
5	759
15	596
25	531
35	270
45	91
55	2
65	0
75	0
85	0
90	0

COEFFICIENTS OF UTILIZATION – ZONAL CAVITY METHOD

Effective Floor Cavity Reflectance 20%

Ceiling Reflectance (%)	80				70				50				30				10				0											
Wall Reflectance (%)	70	50	30	10	70	50	30	10	50	30	10	50	30	10	50	30	10	50	30	10	50	30	10	50	30	10	50	30	10			
Room Cavity Ratio																																
0	59	59	59	59	58	58	58	58	55	55	55	53	53	53	51	51	51	50	50	50	50	50	50	48	48	48	46	46	46	46	46	46
1	56	55	54	52	55	54	53	52	52	51	50	50	49	49	48	48	47	46	46	46	46	46	46	44	44	44	43	43	43	43	43	43
2	53	51	49	47	52	50	48	47	48	47	46	47	46	45	46	45	44	44	44	44	44	44	44	43	43	43	42	42	42	42	42	42
3	51	47	45	43	50	47	44	42	45	43	42	44	42	41	43	42	40	42	42	42	42	42	42	41	41	41	40	40	40	40	40	40
4	48	44	41	39	47	43	41	39	42	40	38	41	39	38	40	39	37	39	39	39	39	39	39	38	38	38	37	37	37	37	37	37
5	45	41	38	36	45	41	38	36	40	37	35	39	37	35	38	36	35	37	37	37	37	37	37	36	36	36	35	35	35	35	35	35
6	43	38	35	33	42	38	35	33	37	35	33	37	34	33	36	34	32	35	35	35	35	35	35	34	34	34	33	33	33	33	33	33
7	41	36	33	31	40	36	33	31	35	32	30	34	32	30	34	32	30	33	33	33	33	33	33	32	32	32	31	31	31	31	31	31
8	39	34	31	29	38	33	30	28	33	30	28	32	30	28	32	30	28	31	31	31	31	31	31	30	30	30	29	29	29	29	29	29
9	37	32	29	27	36	31	29	27	31	28	26	31	28	26	30	28	26	30	28	26	30	28	26	29	29	29	28	28	28	28	28	28
10	35	30	27	25	34	30	27	25	29	27	25	29	26	25	28	26	25	28	26	25	28	26	25	27	27	27	26	26	26	26	26	26

APLUS 19E/4 WW

WALLWASH INFORMATION

Distance From Ceiling (Feet)	2'6" From Wall; 2'6" O.C.		3' From Wall; 3' O.C.	
	Below Fixture	Between Fixtures	Below Fixture	Between Fixtures
1	6	6	6	6
2	8	7	7	7
3	9	9	8	8
4	12	12	10	10
5	15	14	11	10
6	16	15	11	11
7	16	14	10	8
8	10	9	6	5
9	6	5	3	3

All vertical footcandles are initial values with no contribution from ceiling or floor reflectances. Computation performed with a total of five wallwashers.

