

Project

Type



Date

Product Code

Designer

# DARKLITE® 38E/5 SLOPE

recessed LED PAR 38 sloped ceiling downlight

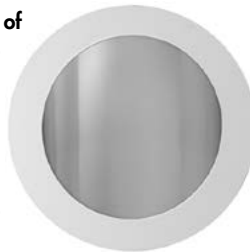
MADE-TO-ORDER • MAY NOT BE RETURNED FOR CREDIT • MADE-TO-ORDER • MAY NOT BE RETURNED FOR CREDIT



Darklite 38E/5 Slope is a 5" aperture sloped ceiling downlight which has been checked for fit and initial operation with two PAR 38 LED retrofit lamps (supplied by others):

- KETRA S38; and
- SORAA PAR38.

- Fixture is made in eight different configurations conforming to ceiling slopes of 5°, 10°, 15°, 20°, 25°, 30°, 35° and 40°. Reflector must be removed before relamping.
- Darklite 38E/5 Slope provides a shielding angle of 40° from upslope points of view and greater than 40° from downslope. Recess depth varies with slope but is never greater than 11 1/8" (see table below drawing).
- Reflector consists of a single, seamless aluminum spinning from lamp to ceiling line, resulting in a uniquely elegant low-brightness appearance. (No added 'slope adaptors'; no joints; no obtrusive mismatches of color, contour or finish.)
- Reflector is available in three clear natural aluminum finishes — semi-specular (C), slightly diffuse (V) or fully diffuse (EC) — as well as champagne gold or black Alzak®. Other reflector finishes are available on special order.
- The elliptical edge of the reflector is trimmed with a 1 1/8" wide steel flange to conceal the edges of the ceiling installation hole. Standard flange finish is white; custom paint finish available on special order.
- Darklite 38E/5 Slope includes a pair of mounting bars (3/4" x 27" C channel). Specialty bars for wood joist and T-bar installations are also available.
- For more information, [click here](#).



## FIXTURE DIMENSIONS

	5° Slope	10° Slope	15° Slope	20° Slope
Fixture Depth	10 5/8"	10 7/8"	11"	11 1/8"
Fixture Footprint	11 3/8" x 14"	11 3/8" x 14"	11 3/8" x 15"	11 3/8" x 15"
	25° Slope	30° Slope	35° Slope	40° Slope
Fixture Depth	11 1/8"	11"	10 7/8"	10 5/8"
Fixture Footprint	11 3/8" x 16"	11 3/8" x 16"	11 3/8" x 17"	11 3/8" x 18"

## PRODUCT CODE

For a complete product code, list basic unit and select one code item from each following box.

Basic Unit .....	DL 38/5 SLOPE
Slope	
5° .....	-05
10° .....	-10
15° .....	-15
20° .....	-20
25° .....	-25
30° .....	-30
35° .....	-35
40° .....	-40
Reflector Color/Trim Flange Color	
Semi-specular Clear .....	-C
Slightly diffuse Clear .....	-V
Fully diffuse Clear .....	-E
Champagne Gold .....	-G
Black .....	-B
Other reflector finishes are available on special order.	
Standard trim flange finish is white.	
Custom painted flanges are available on special order; add CCF (custom color flange).	

### LAMPS BY OTHERS

Edison Price Lighting does not include lamps and does not sell either lamps or their accessories.

### DIMMING

For dimming compatibility consult the lamp manufacturer's website.

### WIRELESS LIMITATIONS

The wireless range of lamped fixtures will vary with lamp and site conditions.



41-50 22<sup>ND</sup> STREET, LIC NY 11101 TEL 718.685.0700 FAX 718.786.8530 www.epl.com

©Copyright, Edison Price Lighting 2019


®Darklite is a registered trademark of Edison Price Lighting

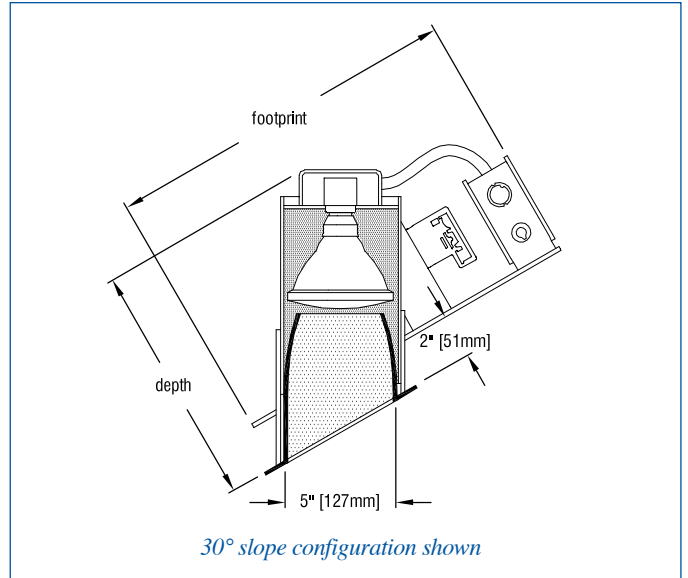
LED 0-371 7:19

# DARKLITE 38E/5 SLOPE

MADE-TO-ORDER • MAY NOT BE RETURNED FOR CREDIT • MADE-TO-ORDER • MAY NOT BE RETURNED FOR CREDIT

## APPLICATIONS

Fixture is  listed for **Damp Location**. Fixture is prewired with thermal protector, suitable for use in a fire rated ceiling, and approved for ten #12 wire 75°C branch circuit pull-through wiring. Removal of the housing from below allows access to the junction box.



For current lamp performance data, consult lamp manufacturer's website.