

Project

Date Product Code

Type

Designer



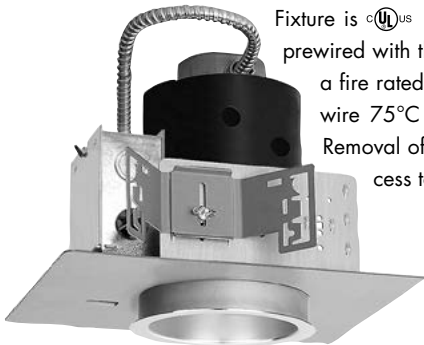
DARKLITE® 38E/6

recessed LED PAR 38 downlight

FEATURES

- Darklite 38E/6 is a 6" aperture downlight which has been checked for fit and initial operation with two PAR 38 LED retrofit lamps (supplied by others):
 - KETRA S38; and
 - SORAA PAR38.
- Precise reflector design minimizes aperture brightness, with a shielding angle of 40°. Fixture may be relamped from below without removing its reflector.
- Reflector are available in three clear natural aluminum finishes — semi-specular (C), slightly diffuse (V) or fully diffuse (EC) — as well as champagne gold or black Alzak®. Other reflector finishes are available on special order.
- Darklite 38E/6 includes a pair of mounting bars (3/4" x 27" C channel). Specialty bars for wood joist and T-bar installations are also available.
- For more information, [click here](#)

APPLICATIONS



Fixture is listed for Damp Location. Fixture is prewired with thermal protector, suitable for use in a fire rated ceiling, and approved for ten #12 wire 75°C branch circuit pull-through wiring. Removal of the housing from below allows access to the junction box.

LAMPS BY OTHERS

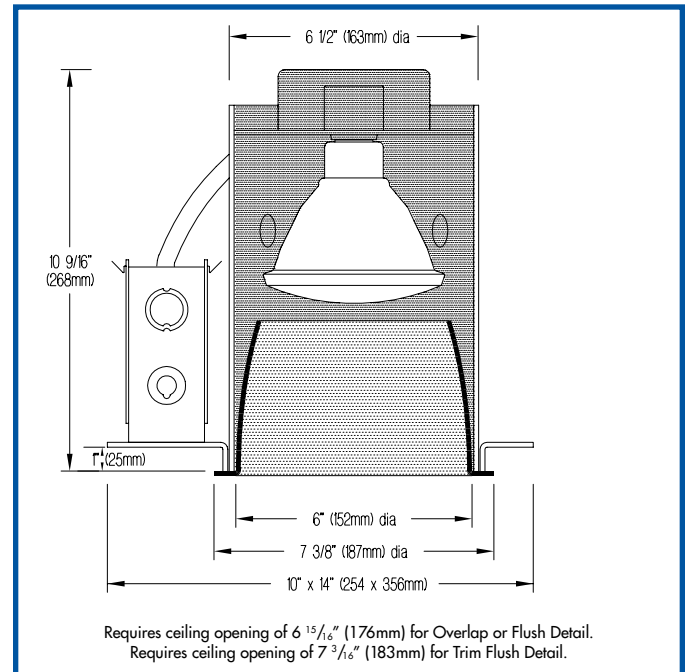
Edison Price Lighting does not include lamps and does not sell either lamps or their accessories.

DIMMING

For dimming compatibility consult the lamp manufacturer's website.

WIRELESS LIMITATIONS

The wireless range of lamped fixtures will vary with lamp and site conditions.



PRODUCT CODE

For complete product code, list basic unit and select one item from the following box.

Basic Unit DL 38/6

Reflector Color and Detail	Overlap Flange	Trim Flush*
Semi-specular Clear.....	COL.....	CTF
Slightly diffuse Clear.....	VOL.....	VTF
Fully diffuse Clear.....	ECOL.....	ECTF
Champagne Gold.....	GOL.....	GTF
Black.....	BOL.....	BTF

Other reflector finishes available on special order.

Overlap Flange continues reflector finish. White painted flanges and custom painted flanges are available on special order. Add WF (white flange) or CCF (custom color flange).

*Trim Flush reflector trim requires the use of a plaster ring Accessory (see below).

▶ Reflectors detailed for metal or wood ceilings available on special order.

ACCESSORIES

 Specify as a separate line item.

Plaster ring allows use of 6 7/8" OD Trim Flush (-TF) reflector in sheetrock ceiling; 7 3/16" dia hole requiredTF RING/6



DARKLITE 38E/6



For current lamp performance data, consult lamp manufacturer's website.