

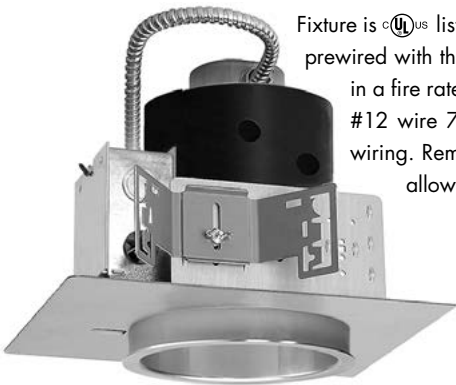
# DARKLITE® 38E/7


recessed LED PAR 38 downlight

## FEATURES

- **Darklite 38E/7 is a 7" aperture downlight** which has been checked for fit and initial operation with two PAR 38 LED retrofit lamps (supplied by others):
  - KETRA S38; and
  - SORAA PAR38.
- **Precise reflector design minimizes aperture brightness, with a shielding angle of 40°.** Fixture may be relamped from below without removing its reflector.
- **Reflectors are available in three clear natural aluminum finishes** — semi-specular (C), slightly diffuse (V) or fully diffuse (EC) — as well as champagne gold or black Alzak®. Other reflector finishes are available on special order.
- **Darklite 38E/7 includes a pair of mounting bars (3/4" x 27" C channel).** Specialty bars for wood joist and T-bar installations are also available.
- **For more information, [click here](#).**

## APPLICATIONS



Fixture is  listed for Damp Location. Fixture is prewired with thermal protector, suitable for use in a fire rated ceiling, and approved for ten #12 wire 75°C branch circuit pull-through wiring. Removal of the housing from below allows access to the junction box.

### LAMPS BY OTHERS

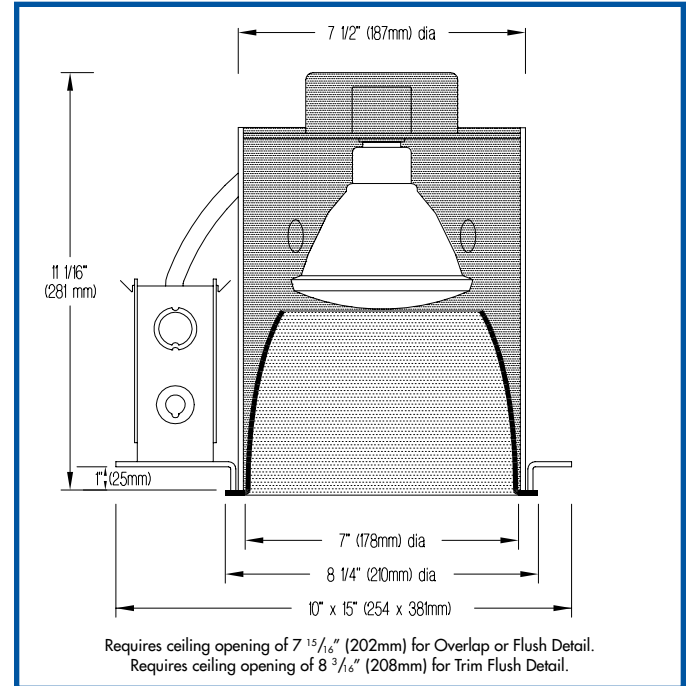
Edison Price Lighting does not include lamps and does not sell either lamps or their accessories.

### DIMMING

For dimming compatibility consult the lamp manufacturer's website.

### WIRELESS LIMITATIONS

The wireless range of lamped fixtures will vary with lamp and site conditions.



## PRODUCT CODE

For complete product code, list basic unit and select one item from the following box.

Basic Unit ..... DL 38/7

| Reflector Color and Detail  | Overlap Flange | Trim Flush* |
|-----------------------------|----------------|-------------|
| Semi-specular Clear.....    | COL.....       | CTF         |
| Slightly diffuse Clear..... | VOL.....       | VTF         |
| Fully diffuse Clear.....    | ECOL.....      | ECTF        |
| Champagne Gold.....         | GOL.....       | GTF         |
| Black.....                  | BOL.....       | BTF         |

Other reflector finishes available on special order.

Overlap Flange continues reflector finish. White painted flanges and custom painted flanges are available on special order. Add WF (white flange) or CCF (custom color flange).

\*Trim Flush reflector trim requires the use of a **plaster ring Accessory** (see below).

▶ Reflectors detailed for metal or wood ceilings available on special order.

## ACCESSORIES

Specify as separate line items.

**Plaster ring** allows use of 7 7/8" OD Trim Flush (-TF) reflector in sheetrock ceiling; 8 3/16" dia hole required ..... TF RING/7

# DARKLITE 38E/7

---

For current lamp performance data, consult lamp manufacturer's website.