

# DARKLITE® 30SE/6

recessed short neck PAR 30 LED downlight

## FEATURES

- **Darklite 30SE/6 is a 6" aperture downlight** which has been checked for fit and initial operation with a PAR 30 short neck LED retrofit LED lamp (supplied by others) including:
  - Soraa PAR30S
  - Ushio Uphoria PAR 30 S
  - Additional lamps may be suitable. Contact factory with inquiries.
- **Precise reflector design minimizes aperture brightness**, with a shielding angle of 40°.
- **Reflectors are available in three clear natural aluminum finishes** — semi-specular (C), slightly diffuse (V) or fully diffuse (EC) — as well as champagne gold or black Alzak®. Semi-specular, gold and black finishes are recommended for smooth beam patterns on light surfaces. Other reflector finishes are available on special order.
- **Darklite 30SE/6 includes a pair of mounting bars** (¾" x 27" C channel). Specialty bars for wood joist and T-bar installations are also available.
- **Housing is constructed from 16-gauge electro-zinc plated steel and 20-gauge electro-zinc, polyester-coated steel** in Edison Price Lighting's American factory. Heavy-gauge metals, an additional protective coating, and American manufacturing guarantees long-lasting durability.
- **For more information, [click here](#).**

## APPLICATIONS



Fixture is cUL<sup>us</sup> listed for Damp Location. Fixture is prewired with thermal protector, suitable for use in a fire rated ceiling, and approved for ten #12 wire 75°C branch circuit pull-through wiring. Removal of the housing from below allows access to the junction box.

### Lamps By Others

Edison Price Lighting does not include lamps and does not sell either lamps or their accessories.

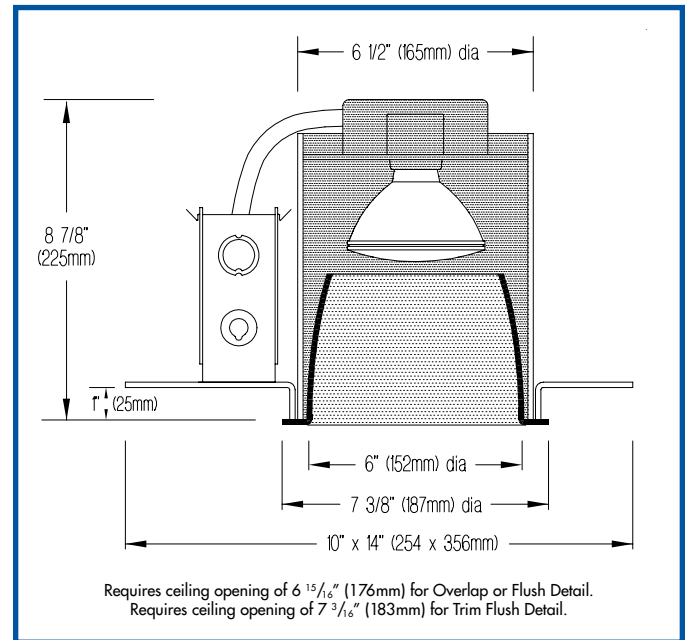
### Dimming

For dimming compatibility consult the lamp manufacturer's website.

### Wireless Limitations

The wireless range of lamped fixtures will vary with lamp and site conditions

- **Install-from-below**, see [PRESTO DL 30SE/6](#)



## PRODUCT CODE

For complete product code, list basic unit and select one item from the following box.

Basic Unit .....	DL 30/6	
Reflector Color and Detail	<i>Overlap Flange</i>	<i>Trim Flush*</i>
Semi-specular Clear.....	COL.....	CTF
Slightly diffuse Clear.....	VOL.....	VTF
Fully diffuse Clear.....	ECOL.....	ECTF
Champagne Gold .....	GOL .....	GTF
Black .....	BOL .....	BTF
Other reflector finishes available on special order.		
Overlap Flange continues reflector finish. White painted flanges and custom painted flanges are available on special order. Add WF (white flange) or CCF (custom color flange).		
*Trim Flush reflector trim requires the use of a <b>plaster ring</b> Accessory (see below).		
▶ Reflectors detailed for metal or wood ceilings available on special order.		

Example: DL 30/6 COL WF is the complete product code for a fixture with semi-specular clear reflector and white painted overlap flange.

## ACCESSORIES

Specify as a separate line item.

**Plaster ring** allows use of 6 7/8" OD Trim Flush (-TF) reflector in sheetrock ceiling; 7 3/16" dia hole required.....TF RING/6

▶ Decorative reflector rings are available on special order. Contact factory.



# DARKLITE 30SE/6

---



For current lamp performance data, consult lamp manufacturer's website.