

Project

Type



Date

Product Code

Designer

DARKLITE® 30SE/6AA

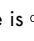
recessed LED PAR 30 downlight

FEATURES

- **Darklite 30SE/6AA is a 6" aperture accent light** which has been checked for fit and initial operation with a SORAA PAR30S (short neck) LED retrofit lamps (supplied by others). The fixture provides 358° horizontal lamp rotation and 0°–45° angular adjustment with lockable focus. The reflector is cut at 30° for optimal performance. Precise reflector design minimizes aperture brightness.
- **When used with our Optical Accessory Holder**, Darklite 30SE/6AA accepts one or two of a number of Optical Accessories including lenses, color filters and a UV filter.
- **Reflectors are available in three clear natural aluminum finishes** — semi-specular (C), slightly diffuse (V) or fully diffuse (EC) — as well as champagne gold or black Alzak®. Other reflector finishes are available on special order.
- **Darklite 30SE/6AA includes a pair of mounting bars** (3/4" x 27" C channel). Specialty bars for wood joist and T-bar installations are also available.
- **For more information, [click here](#).**

APPLICATIONS

Fixture is recommended for directional accent and display highlighting in stores, offices, museums, restaurants, showrooms and residences.

Fixture is  listed for Damp Location. Fixture is prewired with thermal protector, suitable for use in a fire rated ceiling, and approved for ten #12 wire 75°C branch circuit pull-through wiring. Junction box is accessible through the aperture of the fixture.



Lamps By Others

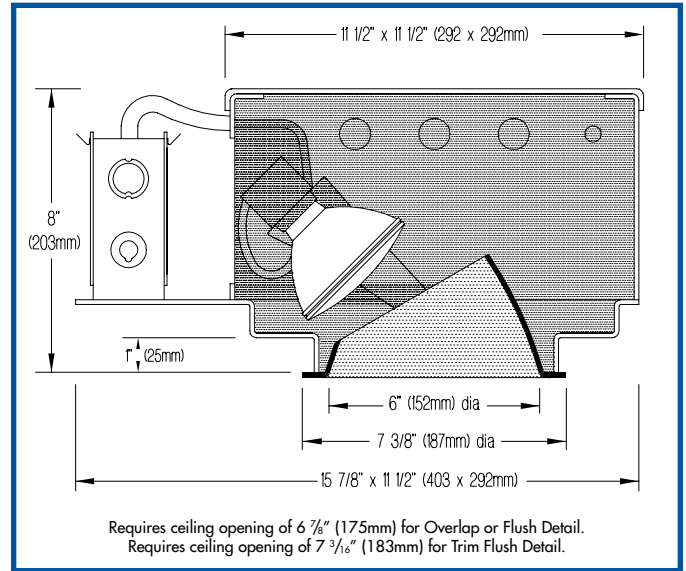
Edison Price Lighting does not include lamps and does not sell either lamps or their accessories.

Dimming

For dimming compatibility consult the lamp manufacturer's website.

Wireless Limitations

The wireless range of lamped fixtures will vary with lamp and site conditions



PRODUCT CODE

For complete product code, list basic unit and select one item from the following box.

Basic Unit DL 30/6AA

Reflector Color and Detail	Overlap Flange	Trim Flush*
Semi-specular Clear.....	COL.....	CTF
Slightly diffuse Clear.....	VOL.....	VTF
Fully diffuse Clear.....	ECOL.....	ECTF
Champagne Gold.....	GOL.....	GTF
Black.....	BOL.....	BTF

Other reflector finishes available on special order.

Overlap Flange continues reflector finish. White painted flanges and custom painted flanges are available on special order. Add WF (white flange) or CCF (custom color flange).

*Trim Flush reflector trim requires the use of a plaster ring Accessory (see below).

► Reflectors detailed for metal or wood ceilings available on special order.

Example: DL 30/6AA COL WF is the complete product code for a fixture with semi-specular clear reflector and white painted overlap flange.

ACCESSORIES

Specify as separate line items.

Plaster ring allows use of 6 7/8" OD Trim Flush (-TF) reflector in sheetrock ceiling; 7 3/16" dia hole required.....TF RING/6

Holder for one or two Optical Accessories (see over).....30 OA HLD R

► Decorative reflector rings are available on special order. Contact factory.

OPTICAL ACCESSORIES ► over, please



DARKLITE 30SE/6AA



For current lamp performance data, consult lamp manufacturer's website.