

Project

Type

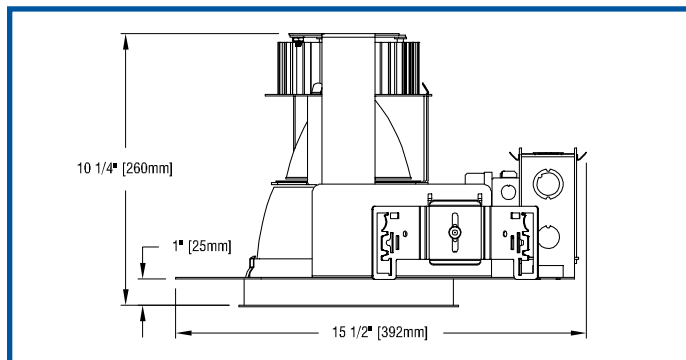
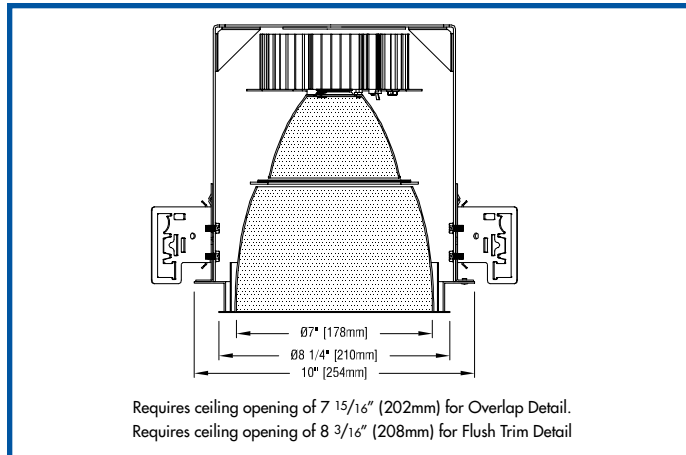


Date Product Code

Designer

# ATRIUM DL/7 recessed LED downlight

HIGH OUTPUT - HIGH OUTPUT - HIGH OUTPUT - HIGH OUTPUT - HIGH OUTPUT - HIGH OUTPUT - HIGH OUTPUT - HIGH OUTPUT



## FEATURES

- Luminaire employs an internal 'twist and lock' reflector to produce an initial beamspread of 15°, 21° or 38°. To allow beamspread to be changed in installed luminaires, internal reflectors are available as accessories.
- Precise external reflector design minimizes aperture brightness and provides a shielding angle of 40°. A thin, highly efficient plastic diffuser is included to soften the edges of the beam.
- External reflectors are available in clear natural aluminum finishes — semi-specular (C), slightly diffuse (V) or fully diffuse (EC) — as well as champagne gold, black Alzak® or white. Other finishes available on special order.
- Housing is constructed from 14-gauge electro-zinc plated steel and 20-gauge electro-zinc, polyester-coated steel in Edison Price Lighting's American factory. Heavy-gauge metals and American manufacturing guarantee long-lasting durability.
- Luminaire includes a pair of mounting bars (3/4" x 27" C channel).
- For more information, [click here](#).

## APPLICATIONS

Luminaire is listed for Damp Location. Fixture is prewired with an insulation detecting thermal protector. Luminaire is approved for eight #12 wire 90° C branch circuit pull through wiring. Removal of the external reflector allows access to the LED module and junction box.



For lower pricing, see [LED FTF DL](#)

Atrium DL/7 is a 7" aperture LED downlight with light source outputs as high as 7000 lumens. Luminaire is powered by Citizen chip-on-board LED's providing CRI's of 80+ or 97. See tables below for wattages and efficacies.

## PRODUCT CODE

For complete product code, list basic unit and select one item from each following box.

Basic Unit .....	ATR-CZL2-7DL
<b>Internal Reflector</b>	
15° initial beam spread .....	15D
21° initial beam spread .....	21D
38° initial beam spread .....	38D
<b>Driver</b>	
dimmable to 1% by a 0-10V dimmer on 120 or 277-volt service .....	DMV
dimmable to 5% by either an incandescent or ELV dimmer;	
120-volt service only .....	DMP
<b>Light Source Output (Lumens)</b>	
4300L .....	- L43A
5400L .....	- L54A
5600L .....	- L56S
7000L .....	- L70S
<b>Light Color</b>	
2700 K .....	- 27K
3000 K .....	- 30K
3500 K .....	not available with L22A, L32A, L43A or L54A
4000 K .....	- 40K
5000 K .....	not available with L22A, L32A, L43A or L54A
<b>Voltage</b>	
120 volt service .....	- 120
277 volt service .....	- 277

External Reflector Color and Detail	Overlap	Trim Flush*
Semi-specular Clear .....	COL .....	CTF
Slightly diffuse Clear .....	VOL .....	VTF
Fully diffuse Clear .....	ECOL .....	ECTF
Champagne Gold .....	GOL .....	GTF
Black .....	BOL .....	BTF
White .....	WOL .....	WTF

Standard reflector flange continues reflector finish. White painted flanges and custom painted flanges are available on special order. Add WF (white flange) or CCF (custom color flange).  
\*Trim Flush reflector trim requires the use of a plaster ring Accessory (see below).  
▶ Reflectors detailed for metal or wood ceilings available on special order.

## ACCESSORIES Specify as separate line items.

Plaster ring allows use of 7 7/8" OD Trim Flush (-TF) reflector in sheetrock ceiling; 8 3/16" dia hole required .....TF RING/7

## EXTRA REFLECTORS Specify as separate line items.

15° initial beam spread .....	RK-MX-CZL2-REF-15D
21° initial beam spread .....	RK-MX-CZL2-REF-21D
38° initial beam spread .....	RK-MX-CZL2-REF-38D

**Warranty Detail**  
Our 5-year warranty does not include the provision of scaffolding, man-lifts, 'cherry pickers' or other extraordinary means of access to a product requiring maintenance.

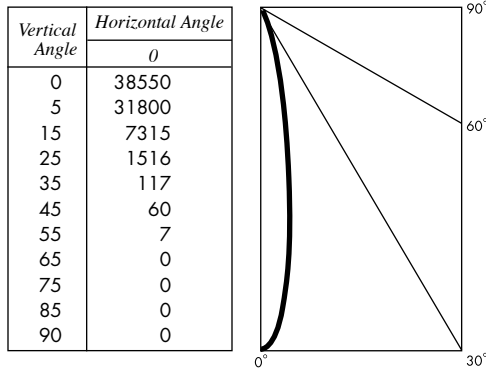


## PHOTOMETRIC REPORT with 15° reflector (TESTED PER IESNA LM-79-2008)

Verification Services Report No. 12995360.02. Original test report furnished upon request

Luminaire ..... recessed LED round downlight with semi-specular clear aluminum reflector  
 Lamp ..... CITIZEN LED, 7000 lumens, 3000K CCT, 80 CRI, with 15° beam spread integral reflector and DIF 5 diffuser  
 Lamp Life ..... rated 50,000 hours based on L70/B50 criteria. LM80 report by LED manufacturer furnished upon request  
 Spacing Criteria ..... 0.30

### CANDLEPOWER DISTRIBUTION (Candela)



### LUMINAIRE LIGHT OUTPUT AND EFFICACY

(3000K LED, 15° beam spread integral reflector)

LED Light Engine	Luminaire Light Output	Luminaire CBCP	Luminaire Efficacy (lms/watt)	System Wattage
4300 Lumens 97 CRI (L43A)	3316*	23130*	79*	42
5400 Lumens 97 CRI (L54A)	4145*	28913*	74*	56
5600 Lumens 80 CRI (L56S)	4311*	30069*	103*	42
7000 Lumens 80 CRI (L70S)	5527	38550	100	56

\*estimated values

### LUMINANCE DATA

Vertical Angle	Candela/m²
45	3418
55	492
65	0
75	0
85	0

### ZONAL LUMEN SUMMARY

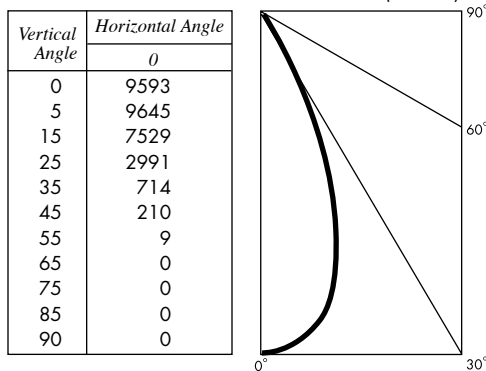
Zone	Lumens	% Fixture
0 - 40°	5475	99.0
0 - 60°	5525	100.0
0 - 90°	5527	100.0
90 -180°	0	0.0

## PHOTOMETRIC REPORT with 21° reflector (TESTED PER IESNA LM-79-2008)

Verification Services Report No. 12995360.05. Original test report furnished upon request.

Luminaire ..... recessed LED round downlight with semi-specular clear aluminum reflector  
 Lamp ..... CITIZEN LED, 7000 lumens, 3000K CCT, 80 CRI, with 21° beam spread integral reflector and DIF15 diffuser  
 Lamp Life ..... rated 50,000 hours based on L70/B50 criteria. LM80 report by LED manufacturer furnished upon request  
 Spacing Criteria ..... 0.70

### CANDLEPOWER DISTRIBUTION (Candela)



### LUMINAIRE LIGHT OUTPUT AND EFFICACY

(3000K LED, 21° beam spread integral reflector)

LED Light Engine	Luminaire Light Output	Luminaire CBCP	Luminaire Efficacy (lms/watt)	System Wattage
4300 Lumens 97 CRI (L43A)	2978*	5810*	71*	42
5400 Lumens 97 CRI (L54A)	3722*	7262*	66*	56
5600 Lumens 80 CRI (L56S)	3871*	7553*	92*	42
7000 Lumens 80 CRI (L70S)	4963	9683	90	56

\*estimated values

### LUMINANCE DATA

Vertical Angle	Candela/m²
45	11,975
55	667
65	0
75	0
85	0

### ZONAL LUMEN SUMMARY

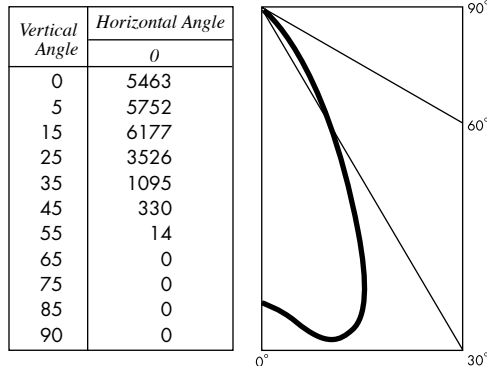
Zone	Lumens	% Fixture
0 - 40°	4786	96.4
0 - 60°	4961	100.0
0 - 90°	4963	100.0
90 -180°	0	0.0

## PHOTOMETRIC REPORT with 38° reflector (TESTED PER IESNA LM-79-2008)

Verification Services Report No. 12995360.07. Original test report furnished upon request.

Luminaire ..... recessed LED round downlight with semi-specular clear aluminum reflector  
 Lamp ..... CITIZEN LED, 7000 lumens, 3000K CCT, 80 CRI, with 56° beam spread integral reflector and DIF30 diffuser  
 Lamp Life ..... rated 50,000 hours based on L70/B50 criteria. LM80 report by LED manufacturer furnished upon request  
 Spacing Criteria ..... 0.92

### CANDLEPOWER DISTRIBUTION (Candela)



### LUMINAIRE LIGHT OUTPUT AND EFFICACY

(3000K LED, 38° beam spread integral reflector)

LED Light Engine	Luminaire Light Output	Luminaire CBCP	Luminaire Efficacy (lms/watt)	System Wattage
4300 Lumens 97 CRI (L43A)	2897*	3771*	69*	42
5400 Lumens 97 CRI (L54A)	3621*	4714*	65*	56
5600 Lumens 80 CRI (L56S)	3766*	4902*	90*	42
7000 Lumens 80 CRI (L70S)	4828	6285	88	56

\*estimated values

### LUMINANCE DATA ZONAL LUMEN SUMMARY

Vertical Angle	Candelam <sup>2</sup>	Zone	Lumens	% Fixture
45	18,812	0 - 40°	4546	94.2
55	955	0 - 60°	4824	99.9
65	0	0 - 90°	4828	100.0
75	0	90 - 180°	0	0.0
85	0			

### LIGHT OUTPUT MULTIPLIER (based on 7000 lumens, 3000K LED)

LED Light Engine	Light Output Multiplier
4300 Lumens 97 CRI (L15A)	0.6*
5400 Lumens 97 CRI (L15A)	0.75*
5600 Lumens 80 CRI (L15S)	0.78*
7000 Lumens 80 CRI (L15S)	1

\*estimated values

### STANDARD DRIVER INFORMATION

UL Class 2, dry and damp location

Voltage	120	277
Input Watts (L43A/L54A/L56S/L70S lumens)	21/30/42/56	21/30/42/56
Input Current (A) (L43A/L54A/L56S/L70S lumens)	.18/25/35/47	.08/11/15/20
Min. Power Factor	>0.9	>0.9
Operating Temperature Range (F)	-4 to 122	-4 to 122

### REFLECTOR COLOR MULTIPLIERS

Semi-specular clear (C)	1
Slightly diffuse clear (V)	.95
Fully diffuse clear (EC)	.88
Champagne gold clear (G)	.95
Black (B)	.49

### LED CCT MULTIPLIERS

2700K	.96
3000K	1
3500K	1.02
4000K	1.03
5000K	1.04