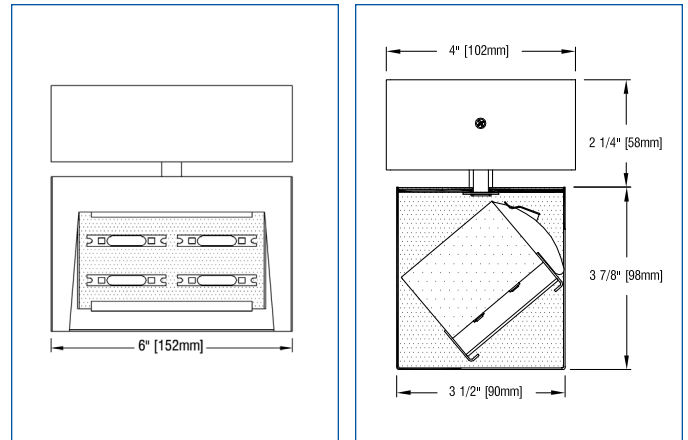


STACKLITE® CZR-OBM

surface mounted LED wallwasher



cross-section

Stacklite CZR-OBM is a compact, surface mounted LED track wallwasher that provides uniform illumination on vertical surfaces. Fixture is powered by four Citizen chip-on-board linear LED arrays providing white light within 3-step MacAdam ellipses. See tables on reverse for wattages and efficacies.

- Fixture is designed for mounting on a 3½" or 4" octagonal outlet box (by others).
- The driver case is fixed in position as attached to the outlet box above. The fixture housing below may be rotated 360° in the horizontal plane by means of a concealed swivel.
- LED mounting assembly pivots vertically as much as 50° within fixture housing to adjust wallwash distribution as required. The pivot point is permanently tensioned, allowing the assembly to remain fixed at the desired angle. 'Protractor' marks indicate the degree of adjustment and simplify the setting of a row of fixtures. A highly efficient (92%) plastic diffuser obscures views into the fixture housing.
- Standard finish is matte white; also available in black and Industrial Silver matte paint finishes.
- For more information, [click here](#).

APPLICATIONS

Fixture is suitable for wallwashing in museums, galleries, showrooms, lobbies, public spaces, residences, offices and retail stores. The use of matte wall finishes is recommended to avoid specular reflections.

Fixture is listed for Damp Location mounting on a standard 3½" or 4" octagonal outlet box (by others).

PRODUCT CODE

For complete product code, list basic unit and select one item from each following box.

Basic Unit	STK-CZR-OB
Finish	
white paint finish.....	- WH
black paint finish.....	- BL
Industrial Silver paint finish	- SI
custom color paint finish:	provide physical chip with order
Light Source Output (Lumens)	
1100L / 90 CRI	- L11
1500L / 90 CRI	- L15
2000L / 90 CRI	- L20
1300L / 80 CRI	- L13
1800L / 80 CRI	- L18
2400L / 80 CRI	- L24
Driver	
dimmable to 5% with either incandescent or ELV dimmer on 120-volt service only	- DMP
dimmable to 1% with a 0-10V dimmer on 120-volt or 277-volt service	- DMV
dimmable to 1% with a Lutron® driver, compatible with Lutron 3-wire fluorescent dimmer or EcoSystem Bus Control, on 120 or 277-volt service	- D3D-LU
Light Color	
3000 K with 80 CRI LED	- 830
3500 K with 80 CRI LED.....	- 835
3000 K with 90 CRI LED.....	- 930
3500 K with 90 CRI LED.....	- 935

► For fixtures modified for 2700K, 4000K or 5000K LED arrays, contact factory.




41-50 22ND STREET, LIC NY 11101 TEL 718.685.0700 FAX 718.786.8530 www.epl.com

©Copyright, Edison Price Lighting 2016 LED 0-260 1:16
 ®Stacklite, Sightline, DoubleLine, Upline, AutoTrak and AutoBus are registered trademarks of Edison Price Lighting.

STACKLITE CZR-OBM

PHOTOMETRIC REPORT

 Verification Services Report No. 847919. Original test report furnished upon request.

Luminaire surface-mounted LED wallwasher with light diffuser cover

Lamp 4 Citizen COB LEDs, 2000 lumens, 3000K, 90 CRI.

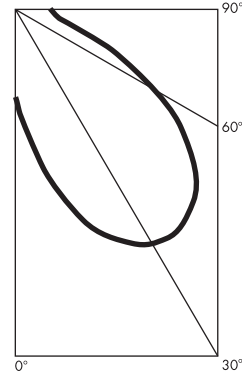
Lamp Life rated 50,000 hours based on L70/B50 criteria. LM80 report by LED manufacturer furnished upon request.

WALLWASH INFORMATION

Distance From Ceiling (Feet)	3' From Wall; 4' O.C		3'-6" From Wall; 4'-6" O.C	
	Below Fixture	Between Fixtures	Below Fixture	Between Fixtures
1	13	11	8	8
2	26	17	9	9
3	30	25	17	13
4	23	23	22	19
5	17	17	20	19
6	12	12	16	16
7	9	9	12	12
8	7	7	9	9
9	5	5	7	7
10			5	5

This table lists initial illuminance values at the center of a row of 10 fixtures with no contribution from ceiling or floor reflectance.

CANDLEPOWER DISTRIBUTION



LUMINAIRE LIGHT OUTPUT AND EFFICACY

LED Module Type	Luminaire Light Output	Luminaire Efficacy (lms/watt)	System Wattage
1100 Lumens 90 CRI	444	30	15
1500 Lumens 90 CRI	609	29	21
2000 Lumens 90 CRI	823	28	30
1300 Lumens 80 CRI	518*	35	15
1800 Lumens 80 CRI	716*	34	21
2400 Lumens 80 CRI	963*	32	30

*estimated values

LIGHT OUTPUT MULTIPLIER

LED Module Type	Light Output Multiplier
1100 Lumens 90 CRI	.54
1500 Lumens 90 CRI	.74
2000 Lumens 90 CRI	1
1300 Lumens 80 CRI	.63*
1800 Lumens 80 CRI	.87*
2400 Lumens 80 CRI	1.17*

*estimated values

STANDARD DRIVER INFORMATION

Voltage	120	277
Input Watts (1100L/1300L/1500L/1800L/2000L/2400L)	15/15/21/21/30/30	15/15/21/21/30/30
Input Current (A) (1100L/1300L/1500L/1800L/2000L/2400L)	.13/.13/.18/.18/.25/.25	.05/.05/.08/.08/.11/.11
Output Current (mA)	350/500/700	350/500/700
Min. Power Factor	>0.95	>0.95
Ambient Temperature Range (F)	-4 to113	-4 to113