

Project

Date Product Code

SIGHTLINE® R

3-busbar recessed track system

Type

Designer



FEATURES

SightLine R is a recessed 3-busbar track system suitable for wiring with one or two 20 amp circuits. Tracks can be cut to length in the field, and are mounted by means of heavy-duty hangers that clamp directly to ceiling supports.

SightLine R consists of a single aluminum extrusion for both support and power. This design allows for a number of features and benefits:

- significantly less installation time than common two-part track systems
- integral splice compartments which are accessible from below in inaccessible ceilings
- elegant appearance, with hairline joints between components
- exceptional durability for heavy use and long life.

SightLine R is comprised of 3 separate roll-formed copper busbars. The busbar's V-shape design offers a more dependable connection than a flat design, thereby eliminating the change of arcing or overheating. Each busbar is individually insulated with highly heat resistant, hydrolytically stable thermoplastic.

SightLine R is designed so that it completely contains the adapter of the fixture. This feature allows track fixtures to hang from simple 1/2" diameter stems free of unsightly screws, levers or knobs.

The SightLine R system consists of 10 components, including L, T and X joints and two kinds of electrical feed (see below). The visible surfaces of SightLine R components are finished white.

For more information, [click here](#).

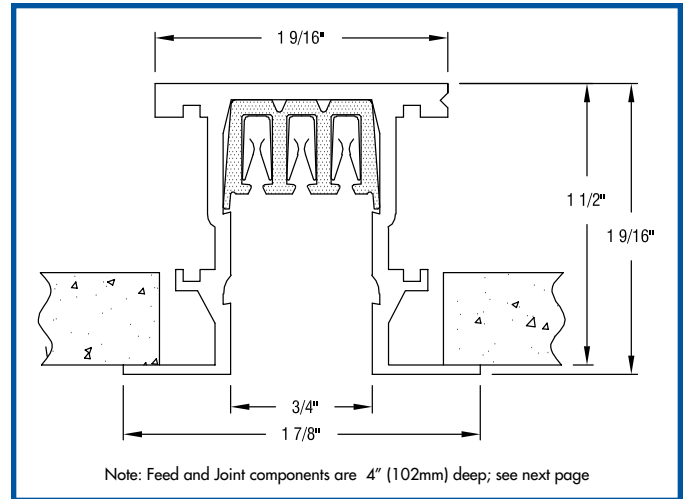


APPLICATIONS

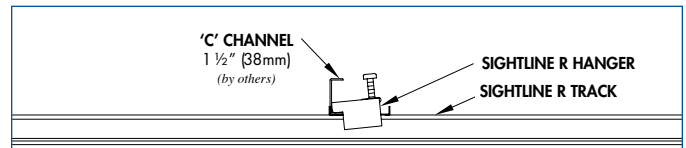
SightLine-R is designed to support and power Edison Price Lighting track fixtures prepared for 20-amp, 120-volt service only.

System is 3-busbar, continuously grounded. It may be supplied by one or two individually switched, 120 volt, 20 amp branch circuits. Total capacity is 40 amps when supplied by a single phase, 120/240 volt, three-wire branch circuit. Service wire must be #12 AWG solid wire.

All components are cUL^{us} listed for indoor use only.



MOUNTING



CEILING

SightLine R is suitable for recessed mounting in sheetrock, metal or wood ceilings by means of hangers attached to C channels every 48". Standard tracks include hangers sufficient for mounting every 48".

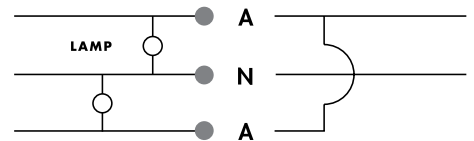
WALLS

SightLine R is suitable for recessed mounting in sheetrock, metal or wood walls by means of hangers attached to C channels every 24". See next page for the +DBL HANG product code for this option.

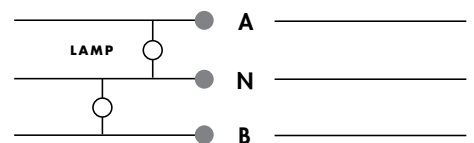
WIRING

SightLine can be wired in two ways.

Single Circuit limited to 120 volts, 20 amps, single phase.

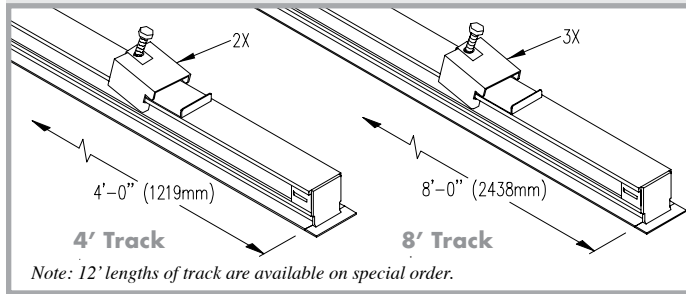


Two-Circuit limited to 20 amps each, 120/240 volts, split single phase.



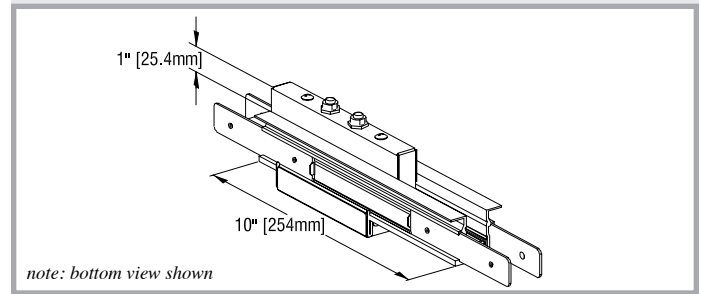
SIGHTLINE R

TRACK

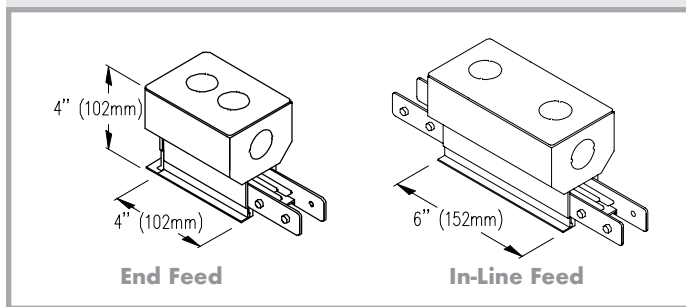


CURRENT LIMITERS

for use where required by local code

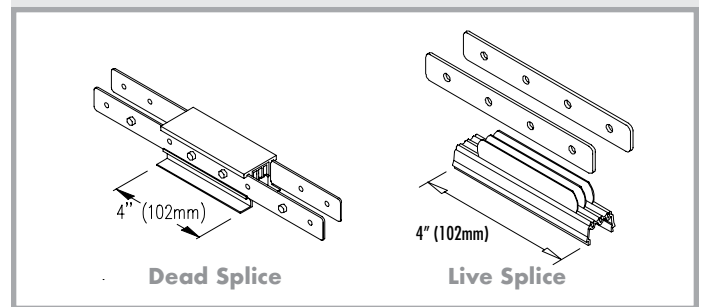


FEEDS

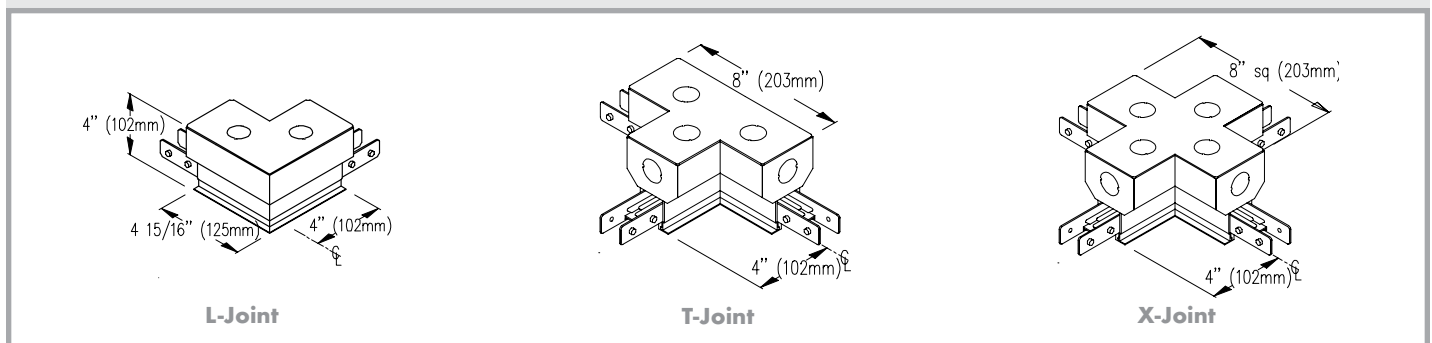


► Low-profile Feeds are available on special order.

SPLICES



JOINTS

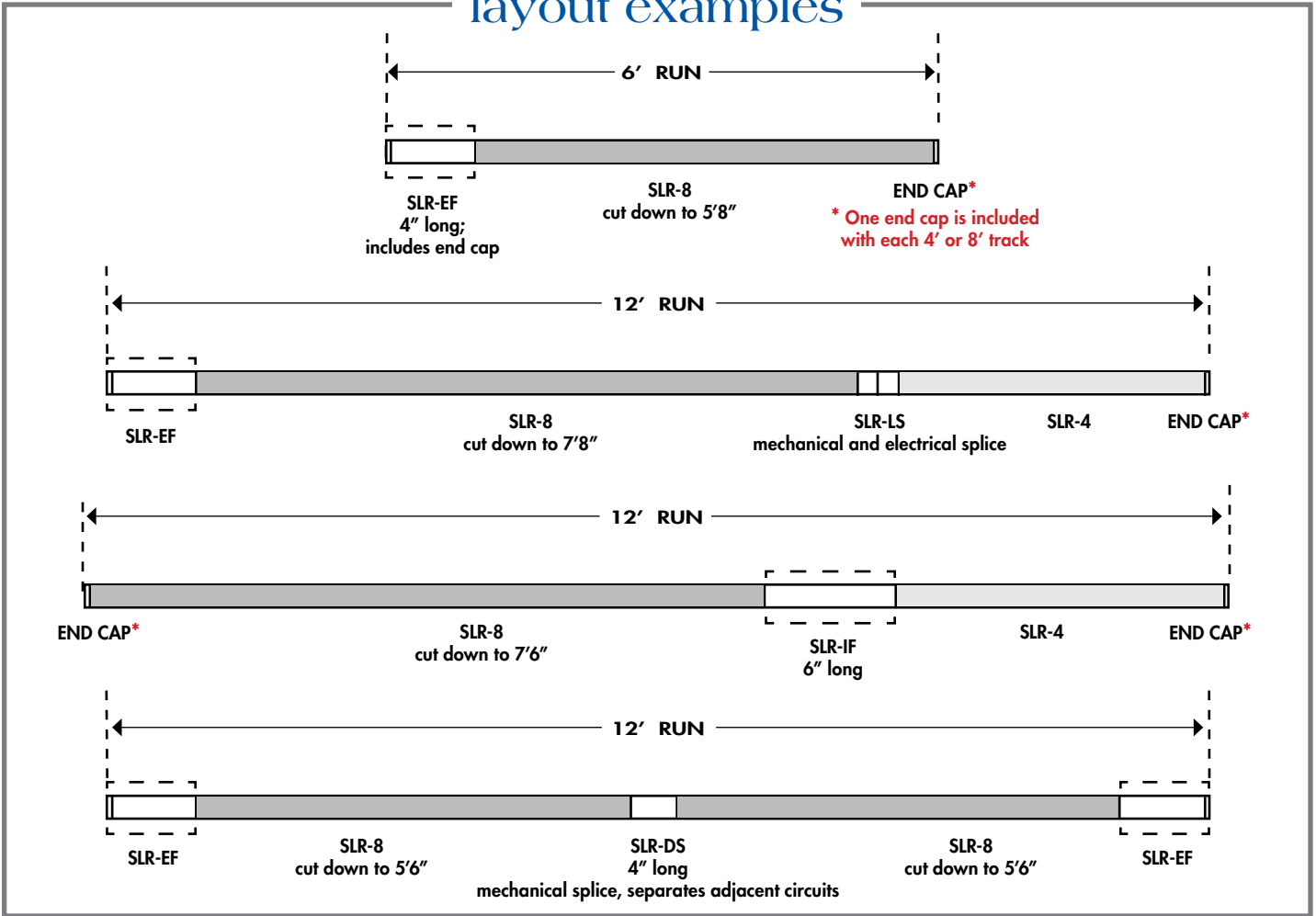


► Low-profile Joints are available on special order.

Component	Product Code	Description	
	White		
4' Track	SLR/4	Individual 4'0" length of track with one end cap and three hangers.	Add +DBL HANG to SLR/4 or SLR/8 for extra hangers required for wall mounting.
8' Track*	SLR/8	Individual 8'0" length of track with one end cap and three hangers.	
End Feed	SLR/EF	Component for electrical feed at the end of a track. Includes splice compartment; no outlet box required.	
In-Line Feed	SLR/IF	Component for electrical feed between tracks. Includes splice compartment; no outlet box required.	
Live Splice	SLR/LS	Components for joining two tracks and connecting their electrical conductors. Fits within track.	
Dead Splice	SLR/DS	Component for joining two tracks <u>without</u> connecting their electrical conductors. Adds 4" of length to track.	
L-Joint	SLR/LJ	90° joint prewired to connect circuits of adjacent tracks; may be used as an electrical feed.	
T-Joint	SLR/TJ	T-joint prewired to connect circuits of adjacent tracks; may be used as an electrical feed.	
X-Joint	SLR/XJ	X-joint prewired to connect circuits of adjacent tracks; may be used as an electrical feed.	
0.5A Limiter	SLR/LIM.5	0.5-amp current limiter, one reset button for each circuit; place adjacent to End or In-Line Feed.	
1A Limiter	SLR/LIM1	1-amp current limiter, one reset button for each circuit; place adjacent to End or In-Line Feed.	
3A Limiter	SLR/LIM3	3-amp current limiter, one reset button for each circuit; place adjacent to End or In-Line Feed.	
5A Limiter	SLR/LIM5	5-amp current limiter, one reset button for each circuit; place adjacent to End or In-Line Feed.	
10A Limiter	SLR/LIM10	10-amp current limiter, one reset button for each circuit; place adjacent to End or In-Line Feed.	
Track cover	SLR/CVR	8'6" length of cuttable cover, snaps into the open void of the track; white finish, may be painted in field.	

* Note: 12' lengths of track are available on special order; contact factory.

layout examples



more examples

REMEMBER: You can cut Sightline R to the lengths you need for your project.

20'4" RUN



20'6" RUN



CIRCUIT 1&2

CIRCUIT 1&2

20'4" x 12'4" L-shape



53'2" RUN



CIRCUIT 1&2

CIRCUIT 3&4

CIRCUIT 5&6

