

# SIGHTLINE® AC

3-busbar cable-suspended mounted track system

## FEATURES

**SightLine AC is a cable suspended track system suitable for wiring with one or two 20 amp circuits.** Tracks can be cut to length in the field. Tracks are hung from ceilings by means of 3/32" diameter aircraft cables.

**Extruded aluminum tracks, feeds and joints offer a number of benefits:**

- elegant appearance, with hairline joints between components
- 6' spans between attachment points, rather than the usual 4'
- exceptional durability for heavy use and long life.

**The SightLine AC system consists of 11 components (see below) and the cable kits detailed below.** Components and cable kit hardware are available in matte white, black and Industrial Silver paint finishes.

**Cable kits are available in two configurations**

- **Mechanical Cable Kit:** an aircraft cable long enough to suspend the top of the track as far as 72" from the ceiling
- **Electrical Cable Kit:** an aircraft cable as above plus a vinyl sleeve capable of containing seven #12 feed wires (by others), sufficient for four 20 amp circuits

**with hardware for three kinds of outlet box mounting**

- a flat outlet box cover
- a 1 5/8" deep canopy, or
- a ball swivel suitable for a slope of 45° max.

For more information, [click here](#).



## APPLICATIONS

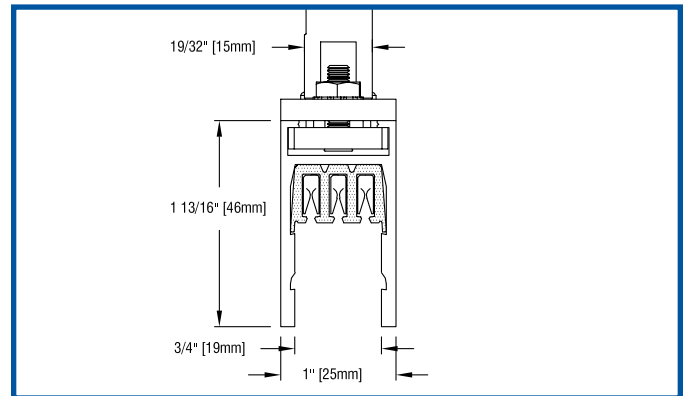
System is recommended for museums, galleries, showrooms, retail stores, offices, schools or residences – wherever adjustable lighting is required and especially where the lighting program is changed often.

SightLine AC is designed to be mounted to ceilings from a 4" x 2 1/8" deep octagonal outlet box with an 3/8 IPS stud that has been mounted securely to the ceiling structure. SightLine AC is intended to support and power Edison Price Lighting track fixtures prepared for 20-amp, 120-volt service only.

System is 3-conductor, continuously grounded. It may be supplied by one or two individually switched, 120 volt, 20 amp branch circuits. Total capacity is 40 amps when supplied by a single phase, 120/240 volt, three-wire branch circuit. Service wire (by others) brought to feed terminals must be #12 AWG solid wire.

All components are cULus listed for indoor use only.

*Note:* If the center of gravity of the track fixtures used in a length of SightLine AC is severely off-center, the track may not hang plumb.



## TRACK COMPONENTS Specify as separate line items.

► SightLine AC consists of 11 components displayed below.

## CABLE KITS Specify as separate line items.

### MECHANICAL CABLE KITS

- Griplock® 3/32" cable sufficient to suspend track 72" below ceiling
- Griplock® coupler
- Griplock® gripper

#### mechanical outlet box cover cable kit

for suspension from a 4" x 2 1/8" deep octagonal outlet box with a 3/8 IPS stud in a flat ceiling. Includes a flat cover plate.

white .....	SLAC-MECH-OBC
black .....	SLAC-MECH-OBCB
Industrial Silver.....	SLAC-MECH-OBCS

#### mechanical canopy cable kit

for suspension from a 4" x 2 1/8" deep octagonal outlet box with a 3/8 IPS stud in a flat ceiling. Includes a 5" dia x 1 5/8" deep canopy.

white .....	SLAC-MECH-CPY
black .....	SLAC-MECH-CPYB
Industrial Silver.....	SLAC-MECH-CPYS

#### mechanical swivel cable kit

for suspension from a 4" x 2 1/8" deep octagonal outlet box with a 3/8 IPS stud in a <40° sloped ceiling. Includes a flat cover plate.

white .....	SLAC-MECH-SVL
black .....	SLAC-MECH-SVLB
Industrial Silver.....	SLAC-MECH-SVLS

### ELECTRICAL CABLE KITS

Same Griplock components as Mechanical Cable Kits plus

- Varflo® 3/8" ID vinyl sleeve (white or black) sufficient to suspend track 72" below ceiling; contains as many as seven #12 wire leads (by others)

#### electrical outlet box cover cable kit

for suspension from a 4" x 2 1/8" deep octagonal outlet box with a 3/8 IPS stud in a flat ceiling. Includes a flat cover plate.

white .....	SLAC-ELEC-OBC
black .....	SLAC-ELEC-OBCB
Industrial Silver (includes black sleeve) .....	SLAC-ELEC-OBCS

#### electrical canopy cable kit

for suspension from a 4" x 2 1/8" deep octagonal outlet box with a 3/8 IPS stud in a flat ceiling. Includes a 5" dia x 1 5/8" deep canopy.

white .....	SLAC-ELEC-CPY
black .....	SLAC-ELEC-CPYB
Industrial Silver (includes black sleeve) .....	SLAC-ELEC-CPYS

#### electrical swivel cable kit

for suspension from a 4" x 2 1/8" deep octagonal outlet box with a 3/8 IPS stud in a <45° sloped ceiling. Includes a flat cover plate.

white .....	SLAC-ELEC-SVL
black .....	SLAC-ELEC-SVLB
Industrial Silver (includes black sleeve) .....	SLAC-ELEC-SVLS

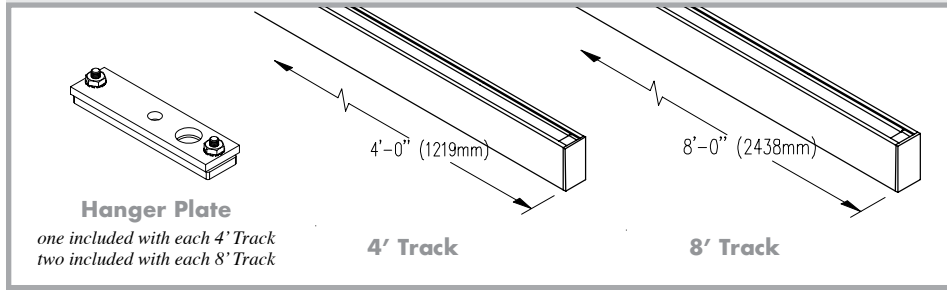
## WIRING

Wiring preparations are identical to [SightLine S](#).

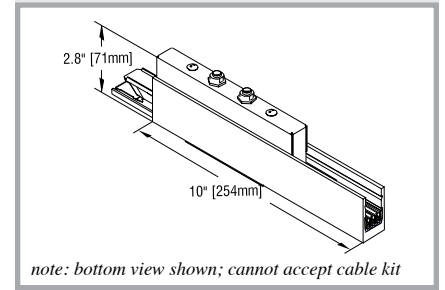
► Track components and cable kit hardware available with a custom paint finish on special orders.



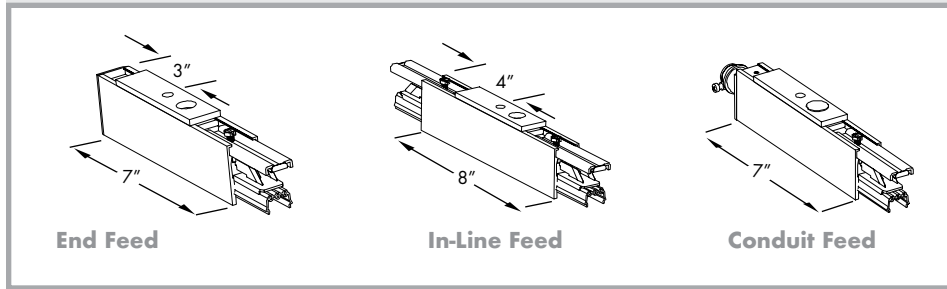
## TRACK



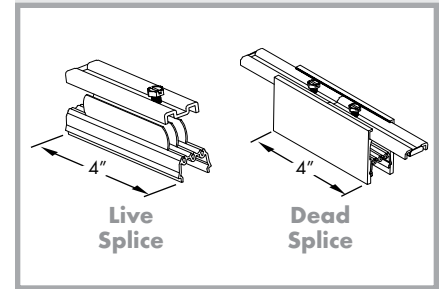
## CURRENT LIMITERS for use where required by local code



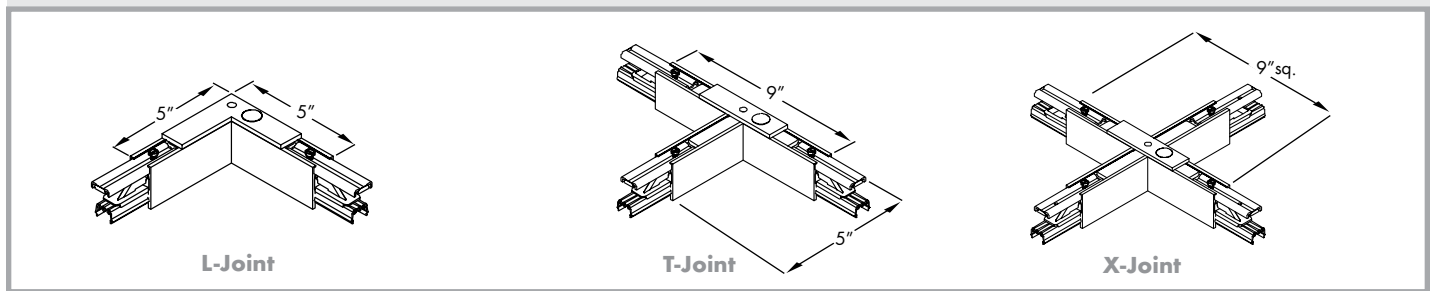
## FEEDS



## SPLICES



## JOINTS



Component	Product Codes			Description
	White	Black	Silver	
<b>4' Track</b>	SLAC/4	SLAC/4B	SLAC/4S	Individual 4'0" length of track with one end cap and one hanger plate.
<b>8' Track*</b>	SLAC/8	SLAC/8B	SLAC/8S	Individual 8'0" length of track with one end cap and two hanger plates.
<b>End Feed</b>	SLAC/EF	SLAC/EFB	SLAC/EFs	Feed for electrical service with an electrical cable kit; for use at end of track run.
<b>In-Line Feed</b>	SLAC/IF	SLAC/IFB	SLAC/IFs	Feed for electrical service with an electrical cable kit; for use at an intermediate location.
<b>Conduit Feed</b>	SLAC/CF	SLAC/CFB	SLAC/CFs	Feed for electrical service directly into end of track. Includes adapter for 3/4" conduit or BX.
<b>Live Splice</b>	SLAC/LS	SLAC/LS	SLAC/LS	Components for joining two tracks and connecting their electrical conductors. Fits within track.
<b>Dead Splice</b>	SLAC/DS	SLAC/DSB	SLAC/DSS	Component for joining two tracks <u>without</u> connecting their electrical conductors. Adds 4" to length of track.
<b>L-Joint</b>	SLAC/LJ	SLAC/LJB	SLAC/LJS	90° joint prewired to connect circuits of adjacent tracks by means of removable 'jumper' wires. May also be used for electrical service with an electrical cable kit.
<b>T-Joint</b>	SLAC/TJ	SLAC/TJB	SLAC/TJS	T-joint prewired to connect circuits of adjacent tracks by means of removable 'jumper' wires. May also be used for electrical service with an electrical cable kit.
<b>X-Joint</b>	SLAC/XJ	SLAC/XJB	SLAC/XJS	X-joint prewired to connect circuits of adjacent tracks by means of removable 'jumper' wires. May also be used for electrical service with an electrical cable kit.
<b>0.5A Limiter</b>	SLS/LIM.5	SLS/LIM.5B	SLS/LIM.5S	0.5-amp current limiter, one reset button for each circuit; place adjacent to End, In-Line or Conduit Feed.
<b>1A Limiter</b>	SLS/LIM1	SLS/LIM1B	SLS/LIM1S	1-amp current limiter, one reset button for each circuit; place adjacent to End, In-Line or Conduit Feed.
<b>3A Limiter</b>	SLS/LIM3	SLS/LIM3B	SLS/LIM3S	3-amp current limiter, one reset button for each circuit; place adjacent to End, In-Line or Conduit Feed.
<b>5A Limiter</b>	SLS/LIM5	SLS/LIM5B	SLS/LIM5S	5-amp current limiter, one reset button for each circuit; place adjacent to End, In-Line or Conduit Feed.
<b>10A Limiter</b>	SLS/LIM10	SLS/LIM10B	SLS/LIM10S	10-amp current limiter, one reset button for each circuit; place adjacent to End, In-Line or Conduit Feed.
<b>Track cover</b>	SLS/CVR	Contact factory		Field cuttable cover, snaps into the open face of the track

\* Note: 12' lengths of track are available on special order; contact factory.