

# HIGHLINE® R

277-volt recessed track system

TRACK  
SYSTEMS  
10-720

## FEATURES

HighLine R is a recessed track system suitable for wiring with one 277-volt 20 amp circuit. Tracks can be cut to length in the field, and are mounted by means of heavy-duty hangers that clamp directly to ceiling supports.

HighLine R consists of a single aluminum extrusion for both support and power. This design allows for a number of features and benefits:

- significantly less installation time than common two-part track systems
- integral splice compartments which are accessible from below in inaccessible ceilings
- elegant appearance, with hairline joints between components
- exceptional durability for heavy use and long life.

HighLine R is designed so that it completely contains the adapter of the fixture. This feature allows track fixtures to hang from simple 1/2" diameter stems free of unsightly screws, levers or knobs.

The HighLine R system consists of 9 components, including L, T and X joints and two kinds of electrical feed (see over). The visible surfaces of HighLine R components are finished white.



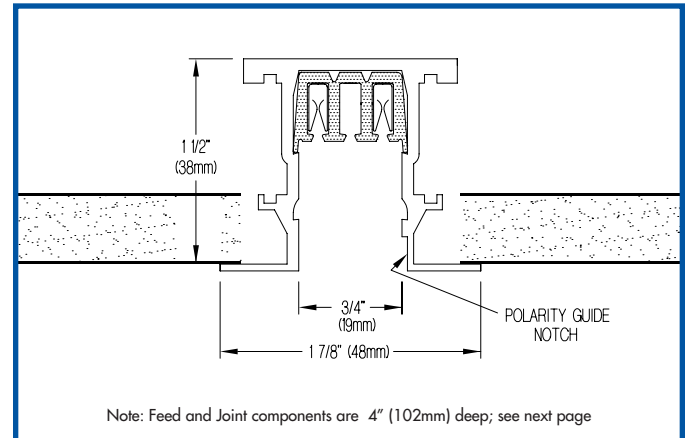
## APPLICATIONS

System is recommended for museums, galleries, showrooms, retail stores, offices or schools – wherever adjustable wallwash or accent lighting is required and especially where the lighting program is changed often.

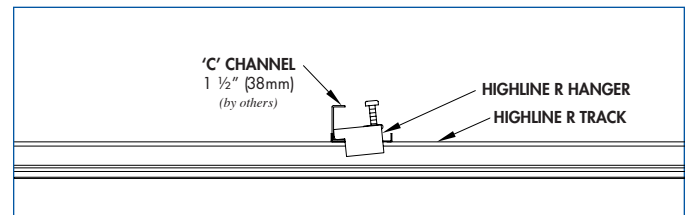
HighLine R is designed to be mounted to non-residential ceilings and to support and power Edison Price Lighting track fixtures prepared for 20-amp, 277-volt service only.

System is 2-conductor, continuously grounded. It may be supplied by one 277-volt, 20 amp branch circuit. Total capacity is 20 amps when supplied by a single phase, 277 volt, two-wire branch circuit. Service wire brought directly to feed terminals must be #12 AWG solid wire.

All components are cULus listed for indoor use only.

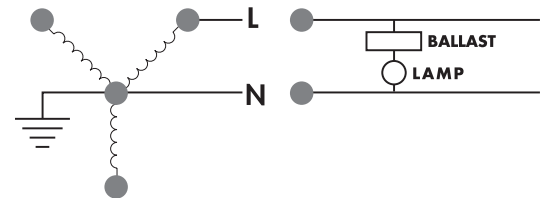


## MOUNTING

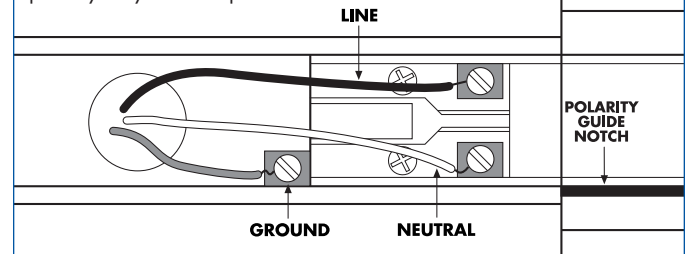


## WIRING

HighLine can be wired in a single circuit, limited to 277 volts, 20 amps, single phase. For non-residential use only.

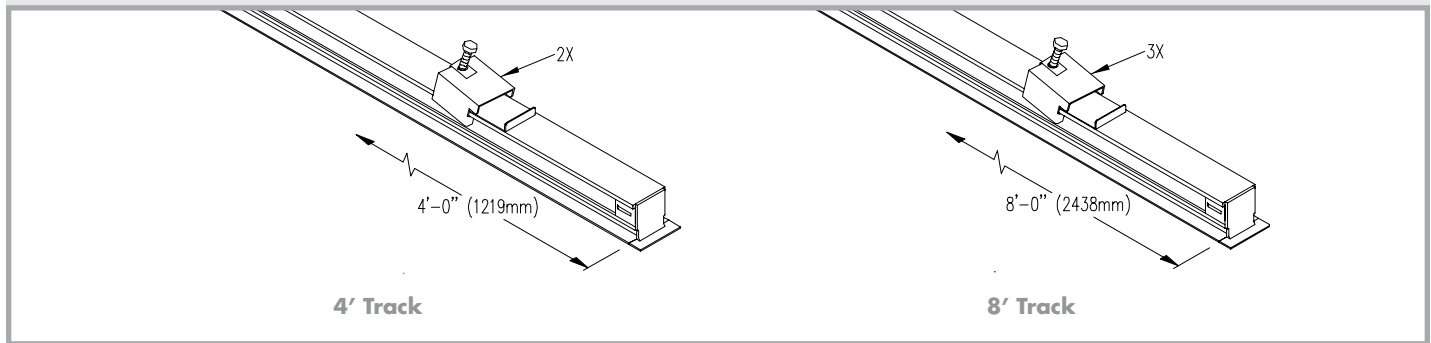


Observe polarity. White (neutral) wire must be along Polarity Guide Notch (neutral) side of track. Failure to observe polarity may result in potential electrical hazard.

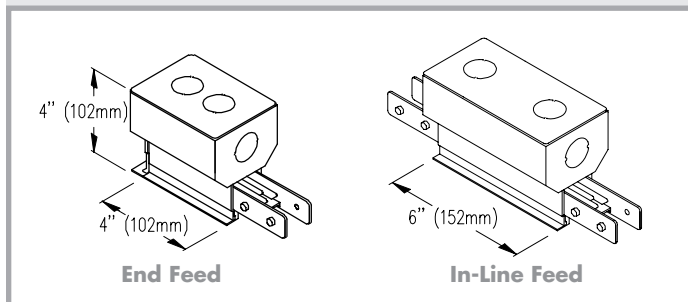


# HIGHLINE® R

## TRACK

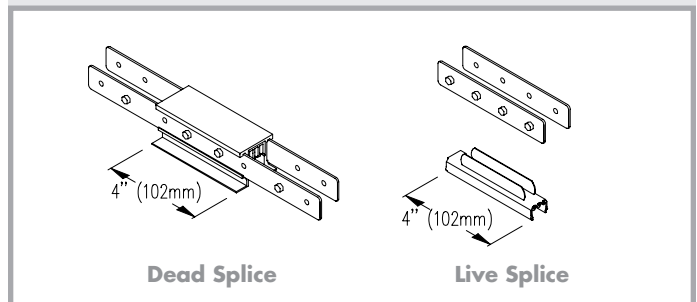


## FEEDS

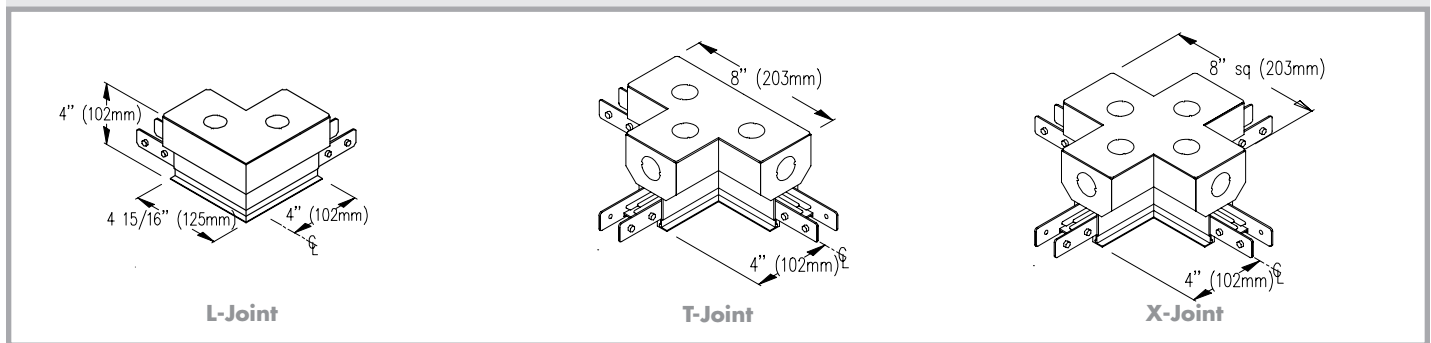


► Low-profile Feeds are available on special order.

## SPLICES



## JOINTS



► Low-profile Joints are available on special order.

Component	Product Code	Description
	<b>White</b>	
<b>4' Track</b>	HLR/4	Individual 4'0" length of track with one end cap and three hangers.
<b>8' Track*</b>	HLR/8	Individual 8'0" length of track with one end cap and three hangers.
<b>End Feed</b>	HLR/EF	Component for electrical feed at the end of a track. Includes splice compartment; no outlet box required.
<b>In-Line Feed</b>	HLR/IF	Component for electrical feed between tracks. Includes splice compartment; no outlet box required.
<b>Live Splice</b>	HLR/LS	Components for joining two tracks and connecting their electrical conductors. Fits within track.
<b>Dead Splice</b>	HLR/DS	Component for joining two tracks <u>without</u> connecting their electrical conductors. Adds 4" of length to track.
<b>L-Joint</b>	HLR/LJ	90° joint; may be used as an electrical feed.
<b>T-Joint</b>	HLR/TJ	T-joint; may be used as an electrical feed.
<b>X-Joint</b>	HLR/XJ	X-joint; may be used as an electrical feed.

\* Note: 12' lengths of track are available on special order; contact factory.