

# MAGIC WAND® CLT W

track mounted LED wallwasher



- Fixture may be configured to mount to any of eighteen 20-amp, 120-volt [track systems](#) – or – to any of six 277-volt track systems.
- Optical assembly consists of an aluminum reflector and a 40° x 70° spread lens.
- Concealed swivels provide 350° of horizontal rotation and vertical adjustment from 0° to 90°. The swivels are permanently tensioned, allowing the fixture to remain fixed at any aiming angle.
- For more information, [click here](#).

Magic Wand CLT W is a track mounted wallwasher powered by one of a number of Cree chip-on-board LED's. See tables below for wattages and efficacies.

## PRODUCT CODE

For complete product code, list basic unit and select one item from each following box.

<b>Basic Unit</b> .....	MW-CLT-W
<b>Track Configuration</b>	
120-volt track (e.g. SightLine) .....	2C
277-volt track (e.g. HighLine) .....	no switch option; not dimmable HC
<b>Driver (DMP):</b> Fixture includes a driver which is	
• dimmable to 10% with a an incandescent or electronic low voltage (ELV) dimming on 120-volt track (2C) – and –	
• not dimmable at all on 277-volt track (HC).	
For a model that dims wirelessly, see <a href="#">Magic Wand CLT W Bluetooth</a>	
<b>Light Source Output (Lumens)</b>	
800L / CRI 98 .....	not available for 277v... 2700K & 3000K only... - L08A
1200L .....	2700K & 3000K only .. - L12A
1100L / CRI 80+ .....	not available for 277v .. - L11S
1500L .....	- L15S
<b>Light Color</b>	
2700K .....	- 27K
3000K .....	- 30K
3500K .....	not available with all Light Outputs (see above)..... - 35K
4000K .....	not available with all Light Outputs (see above)..... - 40K
5000K .....	not available with all Light Outputs (see above)..... - 50K
<b>Finish</b>	
white: white paint, white lead cord, matte aluminum heat sink .....	- WH
black: black paint, black lead cord, black heat sink .....	- BL
Industrial Silver: silver paint, black lead cord, black heat sink .....	- SI
custom color: include paint number or physical chip with order and select one from below	
• white lead cord, matte aluminum heat sink, white switch (if any).....	- CCW
• black lead cord, black heat sink, black switch (if any) .....	- CCB
• any other combination requires a special order	

## OPTIONS *Specify by adding to the product code.*

rocker type <b>on/off switch</b> in track adapter; for use on 120-volt track only; track adapter lengthened to 7 5/8" .....	- SW
white switch for white fixture; black for Silver or black fixture;	
white or black switch for custom color fixture, see Finish box above	



41-50 22<sup>ND</sup> STREET, LIC NY 11101

718.685.0700

www.epl.com

©Copyright, Edison Price Lighting 2019

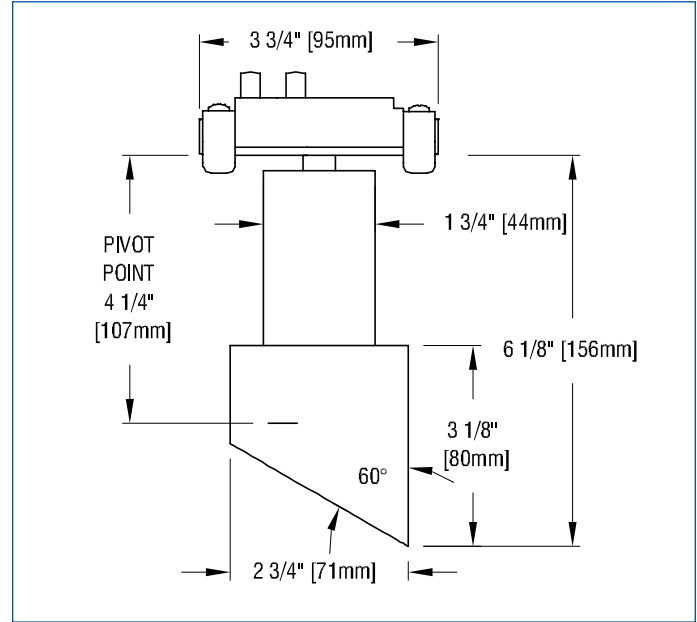
Artima is a registered trademark of Edison Price Lighting.

TF 11-071 8:19

## APPLICATIONS

Luminaire is suitable for highlighting vertical surfaces in museums, galleries, showrooms, residences, offices and stores.

Luminaire is listed for mounting on Edison Price Lighting 120-volt or 277-volt track.



## PHOTOMETRIC REPORT (tested per IESNA LM-79-2008)

Verification Services Report No. 12556986.07. Original test report furnished upon request.

Luminaire ..... track-mounted LED wallwasher with internal reflector and lens and a specular kicker reflector.

Lamp ..... CREE LED 1500 lumens, 3000K CCT, 80 CRI.

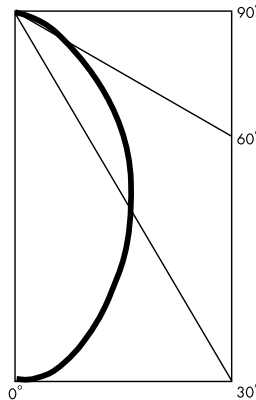
Lamp Life ..... rated 50,000 hours based on L70/B50 criteria. LM80 report by LED manufacturer furnished upon request.

## WALLWASH INFORMATION

Distance From Ceiling (Feet)	3' From Wall; 3' O.C. (1500 lumens)		3' 6" From Wall; 3' 6" O.C. (1500 lumens)	
	Below Fixture	Between Fixtures	Below Fixture	Between Fixtures
1	22	20	15	13
2	36	33	25	22
3	36	35	27	26
4	29	29	24	24
5	23	22	20	19
6	17	17	16	15
7	13	13	13	12
8	10	10	10	10
9	8	8	8	8
10	6	6	6	6
11	5	5	5	5
12	4	4	4	4

This table lists initial illuminance values at the center of a row of at least 5 fixtures with no contribution from ceiling or floor reflectance. Fixtures were modeled with maximum candlepower at 20° to 25° above vertical.

## CANDLEPOWER DISTRIBUTION



## LIGHT OUTPUT MULTIPLIER

(Based on 1500 lumens 80 CRI option)

LED Module Type	Light Output Multiplier
800 Lumens 98 CRI (L08A)	0.52*
1200 Lumens 98 CRI (L12A)	0.76*
1100 Lumens 80 CRI (L11S)	0.69*
1500 Lumens 80 CRI (L15S)	1

\*estimated values

## STANDARD DRIVER INFORMATION

(UL Class 2, dry and damp location)

Voltage	120	277
Input Watts (L08A/L12A/L11S/L15S)	9/14/9/14	9/14/9/14
Input Current(A) (L08A/L12A/L11S/L15S)	.08/.12/.08/.12	.03/.05/.03/.05
Output Current (mA)	250-350	250-350
Min. Power Factor	0.90	0.90
Operating Temperature Range (F)	-4 to 122	-4 to 122

## LUMINAIRE LIGHT OUTPUT AND EFFICACY

LED Module Type	Luminaire Light Output	Luminaire Efficacy (lms/watt)	System Wattage
800 Lumens 98 CRI (L08A)	450*	50*	9
1200 Lumens 98 CRI (L12A)	658*	47*	14
1100 Lumens 80 CRI (L11S)	598*	66*	9
1500 Lumens 80 CRI (L15S)	866	62	14

\*estimated values