

MAGIC WAND® CLT W BLUETOOTH

track mounted wireless LED wallwasher



- Luminaire is equipped with a Xicato Bluetooth Low Energy Intelligent Driver, controllable via a smart device with iOS or Windows based apps. Features include
 - standard Bluetooth Wireless connectivity
 - addressable individually
 - on/off control
 - dimming to 0.1%
 - data collection and storage for operating history
 - direct listening to switches and sensors
 - embedded Eddystone, iBeacon and/or AltBeacon beacons
- Luminaire may be configured to mount to any of eighteen 20-amp, 120-volt [track systems](#) – or – to any of six 277-volt track systems.
- Optical assembly consists of an aluminum reflector and a 40° x 70° spread lens.
- Concealed swivels provide 350° of horizontal rotation and vertical adjustment from 0° to 90°. The swivels are permanently tensioned, allowing the fixture to remain fixed at any aiming angle.
- For more information, [click here](#).

Magic Wand CLT W Bluetooth is a track mounted wallwasher powered by a Cree chip-on-board LED and equipped with a Xicato intelligent driver (XID). See tables below for wattages and

PRODUCT CODE

For complete product code, list basic unit and select one item from each following box.

Basic UnitMW-CLT-XID-W

Track Configuration

120-volt track (e.g. SightLine) 2C
 277-volt track (e.g. HighLine) *not dimmable* HC

Light Source Output (Lumens)

1200L / CRI 985000K *not available* - L12A
 1500L / CRI 80+ - L15S

Light Color

2700K - 27K
 3000K - 30K
 3500K - 35K
 4000K - 40K
 5000K *not available with all Light Outputs (see above)* - 50K

Finish

white: white paint, white lead cord, matte aluminum heat sink - WH
 black: black paint, black lead cord, black heat sink - BL
 Industrial Silver: silver paint, black lead cord, black heat sink - SI
 custom color: include paint number or physical chip with order and select one from below

- white lead cord, matte aluminum heat sink - CCW
- black lead cord, black heat sink - CCB
- any other combination requires a special order

Circuit Limitations

Luminaire operates only on track circuits with no dimmer on the circuit

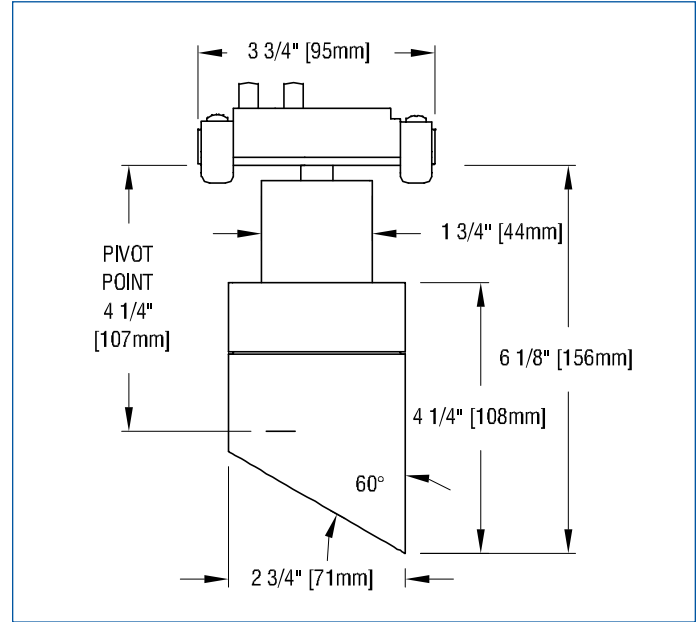
USB Key

To address this fixture from a Windows-based PC, laptop or tablet, a USB key (dongle) is required. Contact factory for USB key.

APPLICATIONS

Luminaire is suitable for highlighting vertical surfaces in museums, galleries, showrooms, residences, offices and stores.

Luminaire is listed for mounting on Edison Price Lighting 120-volt or 277-volt track.



PHOTOMETRIC REPORT (tested per IESNA LM-79-2008)

Verification Services Report No. 12556986.07. Original test report furnished upon request.

Luminaire track-mounted LED wallwasher with internal reflector and lens and a specular kicker reflector.

Lamp CREE LED 1500 lumens, 3000K CCT, 80 CRI.

Lamp Life rated 50,000 hours based on L70/B50 criteria. LM80 report by LED manufacturer furnished upon request.

WALLWASH INFORMATION

Distance From Ceiling (Feet)	3' From Wall; 3' O.C. (1500 lumens)		3' 6" From Wall; 3' 6" O.C. (1500 lumens)	
	Below Fixture	Between Fixtures	Below Fixture	Between Fixtures
1	22	20	15	13
2	36	33	25	22
3	36	35	27	26
4	29	29	24	24
5	23	22	20	19
6	17	17	16	15
7	13	13	13	12
8	10	10	10	10
9	8	8	8	8
10	6	6	6	6
11	5	5	5	5
12	4	4	4	4

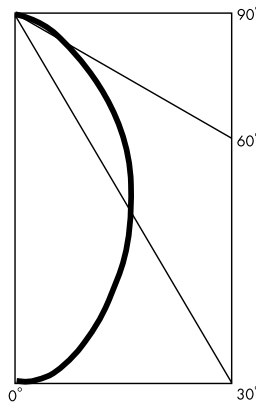
This table lists initial illuminance values at the center of a row of at least 5 fixtures with no contribution from ceiling or floor reflectance. Fixtures were modeled with maximum candlepower at 20° to 25° above vertical.

STANDARD DRIVER INFORMATION

(UL Class 2, dry and damp location)

Voltage	120	277
Input Watts (L12A/L15S)	14/14	14/14
Input Current(A) (L12A/L15S)	.12/.12	.05/.05
Output Current (mA)	350	350
Min. Power Factor	0.90	0.90
Operating Temperature Range (F)	-4 to 122	-4 to 122

CANDLEPOWER DISTRIBUTION



LIGHT OUTPUT MULTIPLIER

(Based on 1500 lumens 80 CRI option)

LED Module Type	Light Output Multiplier
1200 Lumens 98 CRI (L12A)	0.76*
1500 Lumens 80 CRI (L15S)	1

*estimated values

LUMINAIRE LIGHT OUTPUT AND EFFICACY

LED Module Type	Luminaire Light Output	Luminaire Efficacy (lms/watt)	System Wattage
1200 Lumens 98 CRI (L12A)	658*	47*	14
1500 Lumens 80 CRI (L15S)	866	62	14

*estimated values