

Project

Date

Product Code

Type

Designer



# ARTIMA<sup>®</sup>/2 W

track mounted LED wallwasher



- Luminaire may be configured to mount to any of eighteen 20-amp, 120-volt [track systems](#) – or – to any of six 277-volt track systems.
- The optical assembly consists of a hammer tone aluminum reflector and a 40° x 70° spread lens.
- Luminaire provides 385° horizontal rotation and vertical adjustment from 0° to 90°. Horizontal adjustment can be locked by tightening the upper collar clamp using a 1/8" hex key; vertical adjustment can be locked by tightening the lower collar clamp using a 3/32" hex key.
- For more information, [click here](#).

For the outlet box mounted version of luminaire, see [Artima/2 W-OBM](#).

Artima/2 W is a track mounted wallwasher powered by one of a number of Cree chip-on-board LED's. See tables below for wattages and efficacies.

## PRODUCT CODE

For complete product code, list basic unit and select one item from each following box.

**Basic Unit** ..... A2-CLT-W

**Track Configuration**  
 120-volt track (e.g. SightLine) ..... - 2C  
 277-volt track (e.g. HighLine) ..... *no switch; not dimmable* ..... - HC

**Light Source Output (Lumens)**  
 900L / CRI 98 ..... *not available with 5000K* ..... - L09A  
 1200L ..... *not available with 5000K* ..... - L12A  
 1500L ..... *not available with 5000K* ..... - L15A  
 1200L / CRI 80+ ..... - L12S  
 1500L ..... - L15S  
 2000L ..... - L20S

**Light Color**  
 2700K ..... - 27K  
 3000K ..... - 30K  
 3500K ..... - 35K  
 4000K ..... - 40K  
 5000K ..... *not available with all Light Outputs (see above)* ..... - 50K

**Finish**  
 white: white paint, white lead cord, matte aluminum heat sink ..... - WH  
 black: black paint, black lead cord, black heat sink ..... - BL  
 Industrial Silver: silver paint, black lead cord, black heat sink ..... - SI  
 custom color: include paint number or physical chip with order and select one from below  
 • white lead cord, matte aluminum heat sink, white switch (if any) ..... - CCW  
 • black lead cord, black heat sink, black switch (if any) ..... - CCB  
 • any other combination requires a special order

**Driver (DMP):** Fixture includes a driver which is  
 • dimmable to 5% with a an incandescent or electronic low voltage (ELV) dimming on 120-volt track (**2C**) – and –  
 • not dimmable at all on 277-volt track (**HC**).

## OPTIONS *Specify by adding to the product code.*

rocker type **on/off switch** in track adapter; for use on 120-volt track only; track adapter lengthened to 8" ..... - SW  
 white switch for white fixture; black for Silver or black fixture;  
 white or black switch for custom color fixture, see Finish box above



41-50 22<sup>ND</sup> STREET, LIC NY 11101 718.685.0700

©Copyright, Edison Price Lighting 2019  
 Artima is a registered trademark of Edison Price Lighting.

www.epl.com

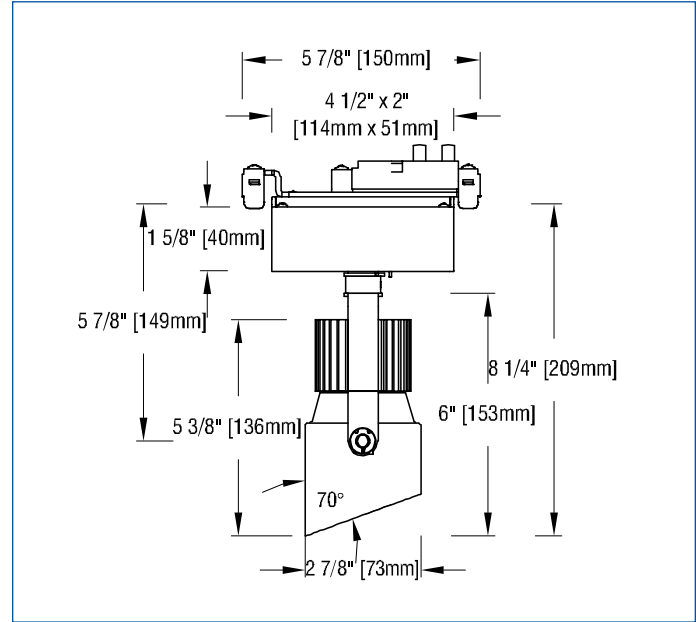
TF 11-081 12:19

## APPLICATIONS

Luminaire is suitable for highlighting vertical surfaces in museums, galleries, showrooms, residences, offices and stores.

Luminaire is listed for mounting on Edison Price Lighting 120-volt or 277-volt track.

**Fixture Spacing Requirements** The track adapter of this fixture is at least 6 1/8" long. For this reason 1) it cannot be track-mounted closer than 6 1/2" on center and 2) it cannot be used with 2 of our 7 **Unicep** single-fixture track units.



## PHOTOMETRIC REPORT (tested per IESNA LM-79-2008)

Leading Testing Laboratories Report No. UT18050006-010a. Original test report furnished upon request.

Luminaire ..... track-mounted LED wallwasher with internal reflector and lens and a specular hammer tone kicker reflector.

Lamp ..... Cree LED 2000 lumens, 3000K CCT.

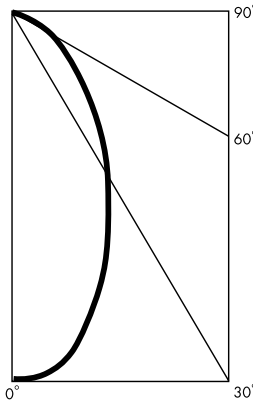
Lamp Life ..... rated 50,000 hours based on L70/B50 criteria. LM80 report by LED manufacturer furnished upon request.

## WALLWASH INFORMATION

Distance From Ceiling (Feet)	3' From Wall; 3' O.C. (2100 lumens)		3' 6" From Wall; 3' 6" O.C. (2100 lumens)	
	Below Fixture	Between Fixtures	Below Fixture	Between Fixtures
1	19	17	13	11
2	34	30	23	20
3	41	38	29	27
4	37	36	29	28
5	31	29	25	25
6	24	23	21	21
7	18	18	17	17
8	14	14	14	13
9	11	11	11	11
10	9	9	9	9
11	7	7	7	8
12	6	6	6	6

This table lists initial illuminance values at the center of a row of at least 5 fixtures with no contribution from ceiling or floor reflectance. Fixtures were modeled with maximum candlepower at 20° to 25° above vertical.

## CANDLEPOWER DISTRIBUTION



## LIGHT OUTPUT MULTIPLIER

(Based on 2000 lumens 80 CRI option)

LED Module Type	Light Output Multiplier
1200 Lumens 80 CRI (L12S)	0.58*
1500 Lumens 80 CRI (L15S)	0.76*
2000 Lumens 80 CRI (L20S)	1
900 Lumens 98 CRI (L09A)	0.44*
1200 Lumens 98 CRI (L12A)	0.58*
1500 Lumens 98 CRI (L15A)	0.76*

\*estimated values

## LUMINAIRE LIGHT OUTPUT AND EFFICACY

LED Module Type	Luminaire Light Output	Luminaire Efficacy (lms/watt)	System Wattage
1200 Lumens 80 CRI (L12S)	607*	61*	10
1500 Lumens 80 CRI (L15S)	795*	57*	14
2000 Lumens 80 CRI (L20S)	1046	52	20
900 Lumens 98 CRI (L09A)	460*	46*	10
1200 Lumens 98 CRI (L12A)	607*	43*	14
1500 Lumens 98 CRI (L15A)	795*	40*	20

\*estimated values

## STANDARD DRIVER INFORMATION (UL Class 2, dry and damp location)

Voltage	120	277
Input Watts (L12S/L15S/L20S/L09A/L12A/L15A)	10/14/20/10/14/20	10/14/20/10/14/20
Input Current(A) (L12S/L15S/L20S/L09A/L12A/L15A)	.08/12/17/08/12/17	.04/05/07/04/05/07
Output Current (mA)	350-700	350-700
Min. Power Factor	0.90	0.90
Operating Temperature Range (F)	-4 to 122	-4 to 122