

Project

Type



MADE IN USA

[Click Here](#)

Date

Product Code

Designer

MINIMAX[®] O

track mounted LED accent light



- Luminaire may be configured to mount to any of eighteen 20-amp, 120-volt [track systems](#) – or – to any of six 277-volt track systems.
- Fixture function can be changed with your choice of Quick Change Cartridge – which can be removed from the fixture easily – and your choice of ‘twist and lock’ [reflector](#).
- Quick Change Cartridge / Reflector choices
 - Quick Change Cartridge with a cross baffle (OX) for enhanced glare control; for use with 21° 43° or 60° reflectors
 - Quick Change Cartridge with an open aperture (OH) for enhanced glare control; for use with 21° 43° or 60° reflectors
- Fixture is ordered with a single Quick Change Cartridge and a single reflector. Additional Quick Change Cartridges and reflectors may be ordered as accessories.
- **Optical Accessories:** Each Quick Change Cartridge accepts one or two of a number of spread lenses, color filters and screens. A complimentary Beam Smoother is included.
- An on-off rocker switch, mounted flush in the circular top of the luminaire, is included standard on luminaires equipped for 120 volt service only.
- A concealed swivel provides 385° horizontal rotation and vertical adjustment from 0° to 90°. The swivel is permanently tensioned, allowing the luminaire to remain fixed at any angle. Luminaire can be locked in place by depressing a hinged (‘lever lock’) bar so that it lies flush with the top of the housing. Lifting the lever lock frees the swivel.
- MiniMax luminaires have seamless aluminum housings and cast aluminum tops for lightweight durability and heat dissipation.
- For more information, [click here](#).

For an outlet box mounted model, see [MiniMax O-OBM](#)

MiniMax O is a track mounted accent light powered by one of a number of Xicato LED modules – including Artist Series, Designer Series and Vibrant Series modules – all of which are distinguished by extraordinary color consistency (within 1x2-step MacAdam ellipse).

PRODUCT CODE

For complete product code, list basic unit and select one item from each following box.

Basic UnitMM-XTM

Quick Change Cartridge

Cross Baffle + OX
Open Aperture + OH

Beam Spread Reflector (specify one to ship with fixture)

21° spot - 21D
43° flood - 43D
60° wide flood - 60D

Track Configuration

120-volt track (e.g. SightLine) - 2C
277-volt track (e.g. HighLine) no switch; not dimmable - HC

Finish

white: includes white switch - WH
black: includes black switch - BL
Industrial Silver: includes black switch - SI
custom color: specify switch color: white or black - CC

Driver

dimmmable to 5% or 10% (see Light Output box below) by either an incandescent or ELV dimmer on 120-volt track only; seamless driver case, pictured, measures 5 5/16" x 1 13/16" x 1 5/8" - DMP
Lutron LTE Hi-Lume driver dimmmable to 1% with a Lutron incandescent dimmer on 120-volt track only; seamless driver case measures 5 3/8" x 3 5/8" x 1 5/8" - DMI-LU

For a model that dims wirelessly, see [MiniMax O Bluetooth](#)

Light Source Output

700L / CRI 98 Artist.....	DMP(10%)	- L07A
1000L / CRI 98.....	DMP(5%)	- L10A
1300L / CRI 98.....	DMP(5%)	- L13A
2100L / CRI 98.....	DMP(5%)	- L21A
1000L / CRI 90 Designer.....	DMP(5%)	- L10H
1500L / CRI 90.....	DMP(5%)	- L15H
2100L / CRI 90.....	DMP(5%)	- L21H
2400L / CRI 90.....	DMP(5%)	- L24H
1000L / CRI 80+ Vibrant.....	DMP(10%)	- L10V
1500L / CRI 80+.....	DMP(5%)	- L15V
2100L / CRI 80+.....	DMP(5%)	- L21V
2700L / CRI 80+.....	DMP(5%)	- L27V
1000L / CRI 80+ standard.....	DMP(10%)	- L10S
1500L / CRI 80+.....	DMP(5%)	- L15S
2100L / CRI 80+.....	DMP(5%)	- L21S
2700L / CRI 80+.....	DMP(5%)	- L27S

Vibrant available in 3000K only Designer available in 2000K or 3000K

Light Color

2700 K - 27K
3000 K - 30K
3500 K - 35K
4000 K - 40K

EXTRA CARTRIDGES & REFLECTORS

Specify as separate line items.

Quick Change Cartridge

Cross Baffle RK-MM+OX
Open Aperture RK-MM+OH

Reflector

21° spot reflector RK-MM-XTM-REF-21D
43° spot reflector RK-MM-XTM-REF-43D
60° spot reflector RK-MM-XTM-REF-60D

OPTICAL ACCESSORIES ▼ See next page



41-50 22ND STREET, LIC NY 11101 TEL 718.685.0700 FAX 718.786.8530 www.epl.com

©Copyright, Edison Price Lighting 2019
MiniMax is a pending trademark of Edison Price Lighting.

TF 11-100 8:19

OPTICAL ACCESSORIES

Specify as separate line items.

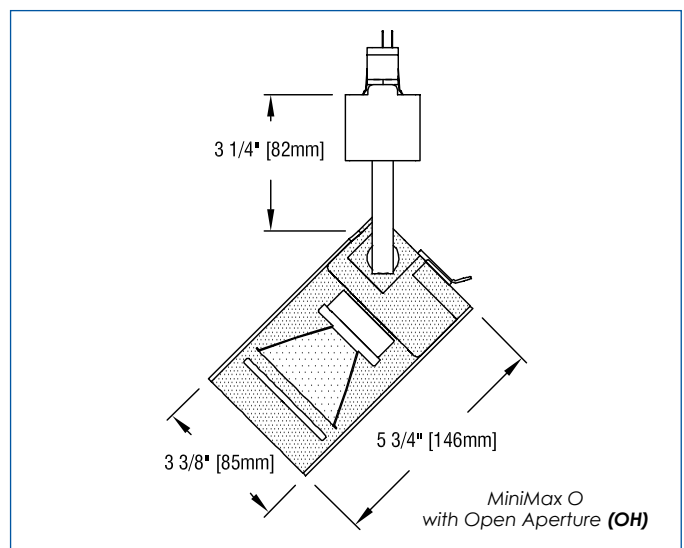
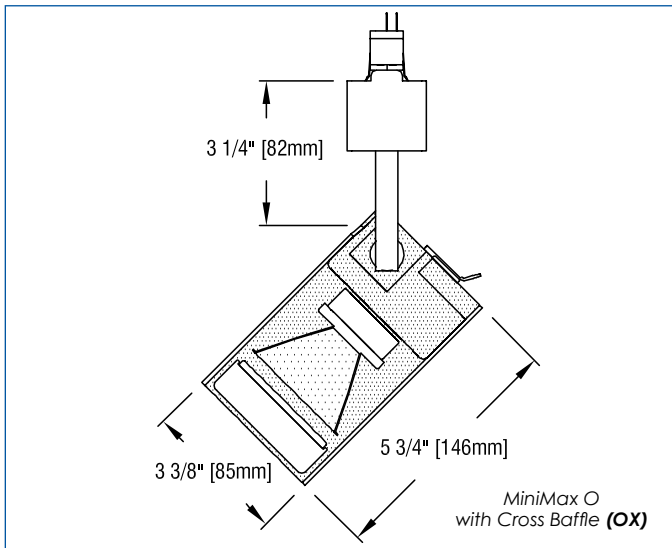
All are 2 3/4" (70mm) dia. Lenses and filters are glass; screens are aluminum.

diffuse glass	DGS/2.75
prismatic lens (Solite)	PLS/2.75
55° spread lens	LENS/2.75
40° x 70° spread lens	LENS/2.75-4070
beam smoother included with fixture	CLR/2.75
color filters	
Daylight Blue	DAY/2.75
Surprise Pink	PNK/2.75
blue	BLU/2.75
green	GRN/2.75
red	RED/2.75
33% light reduction screen	SCR33/2.75
50% light reduction screen	SCR50/2.75

MODIFICATIONS AVAILABLE

Contact factory with quantity for pricing; orders may require shop drawing approval.

For modified stem lengths up to 72", add the following to the end of the product code: + number of inches.



APPLICATIONS

Luminaire is suitable for highlighting vertical or horizontal surfaces, as well as objects in museums, galleries, showrooms, residences, offices and stores.

Luminaire is listed for mounting on Edison Price Lighting 120-volt or 277-volt track.

Fixture Spacing Requirements The track adapter of this fixture is 7" long. For this reason 1) it cannot be track-mounted closer than 7 1/4" on center and 2) it cannot be used with 2 of our 7 Unicep single-fixture track units.

– photometrics continued below –



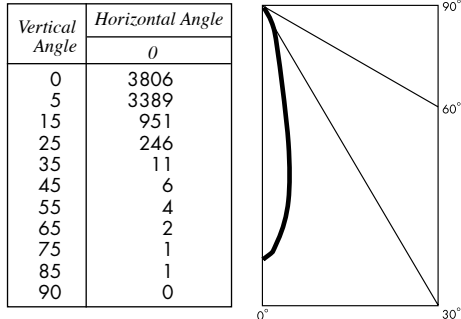
PHOTOMETRIC REPORT with 21° reflector (tested per IESNA LM-79-2008)



UL Verification Services Report No. 1139432. Original test report furnished upon request.

Luminaire track-mounted LED accent light with a 21° reflector and black cross-baffle (NO LENS)
 Lamp Xicato XTM LED Module, 1500 lumens, 3000K
 Lamp Life rated 50.000 hours based on L70/B50 criteria. LM80 report by LED manufacturer furnished upon request

CANDLEPOWER DISTRIBUTION



LUMINAIRE LIGHT OUTPUT AND EFFICACY

LED Module Type	Luminaire Light Output	Luminaire CBCP	Luminaire Efficacy (lumens/watt)	System Wattage
700 Lumens Artist	315*	1789*	39*	8
1000 Lumens Artist	436*	2474*	36*	12
1300 Lumens Artist	556*	3159*	33*	17
2100 Lumens Artist	905*	5138*	36*	25
1000 Lumens Designer	436*	2474*	40*	11
1500 Lumens Designer	670*	3806*	39*	17
2100 Lumens Designer	898*	5100*	43*	21
2400 Lumens Designer	1025*	5823*	41*	25
1000 Lumens standard & Vibrant	422*	2398*	53*	8
1500 Lumens standard & Vibrant	670	3806	48	14
2100 Lumens standard & Vibrant	898*	5100*	43*	21
2700 Lumens standard & Vibrant	1139*	6470*	46*	25

*estimated values

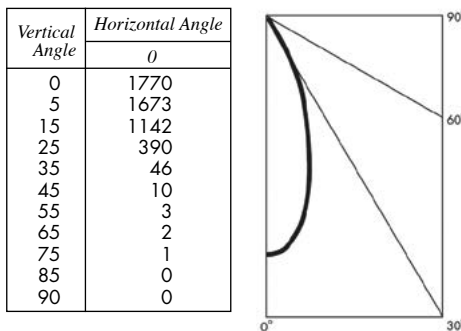
PHOTOMETRIC REPORT with 43° reflector (tested per IESNA LM-79-2008)



UL Verification Services Report No. 1139433. Original test report furnished upon request.

Luminaire track-mounted LED accent light with a 43° reflector and black cross-baffle (NO LENS)
 Lamp Xicato XTM LED Module, 1500 lumens, 3000K
 Lamp Life rated 50.000 hours based on L70/B50 criteria. LM80 report by LED manufacturer furnished upon request

CANDLEPOWER DISTRIBUTION



LUMINAIRE LIGHT OUTPUT AND EFFICACY

LED Module Type	Luminaire Light Output	Luminaire CBCP	Luminaire Efficacy (lumens/watt)	System Wattage
700 Lumens Artist	327*	832*	41*	8
1000 Lumens Artist	452*	1151*	38*	12
1300 Lumens Artist	578*	1469*	34*	17
2100 Lumens Artist	940*	2390*	38*	25
1000 Lumens Designer	452*	1151*	41*	11
1500 Lumens Designer	696*	1770*	41*	17
2100 Lumens Designer	933*	2372*	44*	21
2400 Lumens Designer	1065*	2708*	43*	25
1000 Lumens standard & Vibrant	438*	1115*	55*	8
1500 Lumens standard & Vibrant	696	1770	50	14
2100 Lumens standard & Vibrant	933*	2372*	44*	21
2700 Lumens standard & Vibrant	1183*	3009*	47*	25

*estimated values

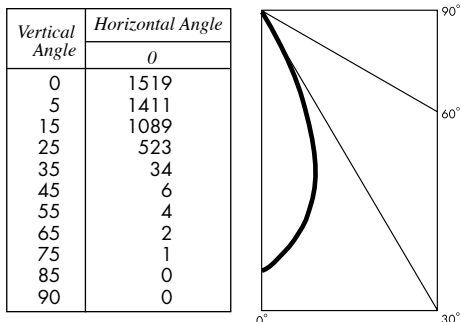
PHOTOMETRIC REPORT with 60° reflector (tested per IESNA LM-79-2008)



UL Verification Services Report No. 1139434. Original test report furnished upon request.

Luminaire track-mounted LED accent light with a 60° reflector and black cross-baffle (NO LENS)
 Lamp Xicato XTM LED Module, 1500 lumens, 3000K
 Lamp Life rated 50.000 hours based on L70/B50 criteria. LM80 report by LED manufacturer furnished upon request

CANDLEPOWER DISTRIBUTION



LUMINAIRE LIGHT OUTPUT AND EFFICACY

LED Module Type	Luminaire Light Output	Luminaire CBCP	Luminaire Efficacy (lumens/watt)	System Wattage
700 Lumens Artist	338*	714*	42*	8
1000 Lumens Artist	468*	987*	39*	12
1300 Lumens Artist	598*	1261*	35*	17
2100 Lumens Artist	972*	2051*	39*	25
1000 Lumens Designer	468*	987*	43*	11
1500 Lumens Designer	720*	1519*	42*	17
2100 Lumens Designer	965*	2035*	46*	21
2400 Lumens Designer	1102*	2324*	44*	25
1000 Lumens standard & Vibrant	454*	957*	57*	8
1500 Lumens standard & Vibrant	720	1519	51	14
2100 Lumens standard & Vibrant	965*	2035*	46*	21
2700 Lumens standard & Vibrant	1224*	2582*	49*	25

*estimated values

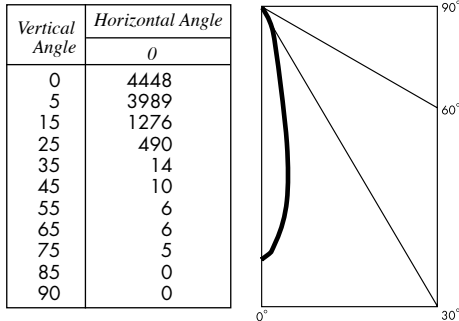
PHOTOMETRIC REPORT with 21° reflector (tested per IESNA LM-79-2008)

UL Verification Services Report No. 1139429. Original test report furnished upon request.



Luminaire track-mounted LED accent light with a 21° reflector and black lens holder (NO LENS)
 Lamp Xicato XTM LED Module, 1500 lumens, 3000K
 Lamp Life rated 50.000 hours based on L70/B50 criteria. LM80 report by LED manufacturer furnished upon request

CANDLEPOWER DISTRIBUTION



LUMINAIRE LIGHT OUTPUT AND EFFICACY

LED Module Type	Luminaire Light Output	Luminaire CBCP	Luminaire Efficacy (lumens/watt)	System Wattage
700 Lumens Artist	455*	2091*	57*	8
1000 Lumens Artist	630*	2891*	52*	12
1300 Lumens Artist	804*	3692*	47*	17
2100 Lumens Artist	1308*	6005*	52*	25
1000 Lumens Designer	630*	2891*	57*	11
1500 Lumens Designer	969*	4448*	57*	17
2100 Lumens Designer	1298*	5960*	62*	21
2400 Lumens Designer	1483*	6805*	59*	25
1000 Lumens standard & Vibrant	610*	2802*	76*	8
1500 Lumens standard & Vibrant	969	4448	69	14
2100 Lumens standard & Vibrant	1298*	5960*	62*	21
2700 Lumens standard & Vibrant	1647*	7562*	66*	25

*estimated values

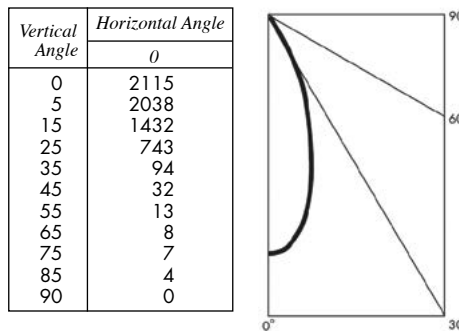
PHOTOMETRIC REPORT with 43° reflector (tested per IESNA LM-79-2008)

UL Verification Services Report No. 1139430. Original test report furnished upon request.



Luminaire track-mounted LED accent light with a 43° reflector and black lens holder (NO LENS)
 Lamp Xicato XTM LED Module, 1500 lumens, 3000K
 Lamp Life rated 50.000 hours based on L70/B50 criteria. LM80 report by LED manufacturer furnished upon request

CANDLEPOWER DISTRIBUTION



LUMINAIRE LIGHT OUTPUT AND EFFICACY

LED Module Type	Luminaire Light Output	Luminaire CBCP	Luminaire Efficacy (lumens/watt)	System Wattage
700 Lumens Artist	484*	994*	60*	8
1000 Lumens Artist	669*	1375*	56*	12
1300 Lumens Artist	854*	1755*	50*	17
2100 Lumens Artist	1389*	2855*	56*	25
1000 Lumens Designer	669*	1375*	61*	11
1500 Lumens Designer	1029*	2115*	61*	17
2100 Lumens Designer	1379*	2834*	66*	21
2400 Lumens Designer	1574*	3236*	63*	25
1000 Lumens standard & Vibrant	648*	1332*	81*	8
1500 Lumens standard & Vibrant	1029	2115	74	14
2100 Lumens standard & Vibrant	1379*	2834*	66*	21
2700 Lumens standard & Vibrant	1749*	3596*	70*	25

*estimated values

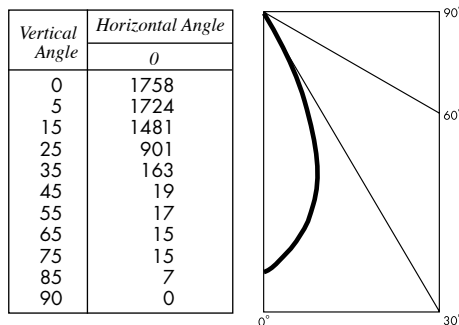
PHOTOMETRIC REPORT with 60° reflector (tested per IESNA LM-79-2008)

UL Verification Services Report No. 1139431. Original test report furnished upon request.



Luminaire track-mounted LED accent light with a 60° reflector and black lens holder (NO LENS)
 Lamp Xicato XTM LED Module, 1500 lumens, 3000K
 Lamp Life rated 50.000 hours based on L70/B50 criteria. LM80 report by LED manufacturer furnished upon request

CANDLEPOWER DISTRIBUTION



LUMINAIRE LIGHT OUTPUT AND EFFICACY

LED Module Type	Luminaire Light Output	Luminaire CBCP	Luminaire Efficacy (lumens/watt)	System Wattage
700 Lumens Artist	533*	826*	67*	8
1000 Lumens Artist	737*	1143*	61*	12
1300 Lumens Artist	941*	1459*	55*	17
2100 Lumens Artist	1531*	2373*	61*	25
1000 Lumens Designer	737*	1143*	67*	11
1500 Lumens Designer	1134*	1758*	67*	17
2100 Lumens Designer	1520*	2356*	72*	21
2400 Lumens Designer	1735*	2690*	69*	25
1000 Lumens Standard & Vibrant	714*	1108*	89*	8
1500 Lumens Standard & Vibrant	1134	1758	81	14
2100 Lumens Standard & Vibrant	1520*	2356*	72*	21
2700 Lumens Standard & Vibrant	1928*	2989*	77*	25

*estimated values

STANDARD DRIVER INFORMATION *(UL Class 2, dry and damp location)*

Voltage	120	277
Input Watts (700A/1000A/1300A/2100A/1000H/1500H/2100H/2400H/1000S/1500S/2100S/2700S lumens)	8/12/17/25/11/17/21/25/8/14/21/25	8/12/17/25/11/17/21/25/8/14/21/25
Input Current(A) (700A/1000A/1300A/2100A/1000H/1500H/2100H/2400H/1000S/1500S/2100S/2700S lumens)	.07/10/14/21/09/14/18/21/07/12/18/21	.03/04/06/09/04/06/08/09/03/05/08/09
Output Current (mA)	350-700	350-700
Min. Power Factor 0.99	0.90	0.90
Operating Temperature Range (F)	-13 to 122	-13 to 122

LIGHT OUTPUT MULTIPLIER

LED Module Type	Light Output Multiplier
700 Lumens Artist	.47*
1000 Lumens Artist	.65*
1300 Lumens Artist	.83*
2100 Lumens Artist	1.35*
1000 Lumens Designer	.65*
1500 Lumens Designer	1*
2100 Lumens Designer	1.34*
2400 Lumens Designer	1.53*
1000 Lumens standard & Vibrant	.63*
1500 Lumens standard & Vibrant	1
2100 Lumens standard & Vibrant	1.34*
2700 Lumens standard & Vibrant	1.7*