

Project

Type



Date Product Code

Designer

MINIMAX™ W

track mounted LED wallwasher



MiniMax W is a track mounted wallwasher powered by one of a number of Xicato LED modules – including Artist Series, Designer Series and Vibrant Series modules – all of which are distinguished by extraordinary color consistency (within 1x2-step MacAdam ellipse). See tables on the reverse for wattages and efficacies.

PRODUCT CODE

For complete product code, list basic unit and select one item from each following box.

Basic Unit MM-XTM-W

Driver
dimmmable to 5% or 10% (see Light Output box below) by either an incandescent or ELV dimmer on 120-volt track only; seamless driver case, pictured, measures 5 5/16" x 1 13/16" x 1 5/8" DMP
Lutron LTE Hi-Lume driver dimmmable to 1% with a Lutron incandescent dimmer on 120-volt track only; seamless driver case measures 5 3/8" x 3 5/8" x 1 5/8" DMI-LU
For a model that dims wirelessly, see [MiniMax W Bluetooth](#)

Track Configuration
120-volt track (e.g. SightLine) - 2C
277-volt track (e.g. HighLine) no switch; not dimmmable - HC

Finish
white: includes white switch - WH
black: includes black switch - BL
Industrial Silver: includes black switch - SI
custom color: specify switch color: white or black - CC

Light Source Output
700L / CRI 98 Artist DMP(10%) - L07A
1000L / CRI 98 DMP(5%) - L10A
1300L / CRI 98 DMP(5%) - L13A
2100L / CRI 98 DMP(5%) - L21A
1000L / CRI 90 Designer DMP(5%) - L10H
1500L / CRI 90 DMP(5%) - L15H
2100L / CRI 90 DMP(5%) - L21H
2400L / CRI 90 DMP(5%) - L24H
1000L / CRI 80+ Vibrant DMP(10%) - L10V
1500L / CRI 80+ DMP(5%) - L15V
2100L / CRI 80+ DMP(5%) - L21V
2700L / CRI 80+ DMP(5%) - L27V
1000L / CRI 80+ standard DMP(10%) - L10S
1500L / CRI 80+ DMP(5%) - L15S
2100L / CRI 80+ DMP(5%) - L21S
2700L / CRI 80+ DMP(5%) - L27S
Vibrant available in 3000K only Designer available in 2000K or 3000K

Light Color
2700 K - 27K
3000 K - 30K
3500 K - 35K
4000 K - 40K

- Luminaire may be configured to mount to any of eighteen 20-amp, 120-volt [track systems](#) – or – to any of six 277-volt track systems.
- Luminaire may be ordered with one of a number of drivers.
- The optical assembly consists of a hammered aluminum [reflector](#) and a 40° x 70° spread lens. In addition, the assembly can accept one of a number of optional [Optical Accessories](#) including color filters and screens. Assembly is keyed relative to luminaire housing, to retain critical lens orientation.
- An on-off rocker switch, mounted flush in the circular top of the fixture, is included standard on luminaires equipped for 120 volt service only.
- A concealed swivel provides 385° horizontal rotation and vertical adjustment from 0° to 90°. The swivel is permanently tensioned, allowing the luminaire to remain fixed at any angle. Luminaire can be locked in place by depressing a hinged ('lever lock') bar so that it lies flush with the top of the housing. Lifting the lever lock frees the swivel.
- MiniMax luminaires have seamless aluminum housings and cast aluminum tops for lightweight durability and heat dissipation.
- For more information, [click here](#).

For an outlet box mounted model, see [MiniMax W-OBM](#)

MODIFICATIONS AVAILABLE
Contact factory with quantity for pricing; orders may require shop drawing approval.
For modified stem lengths up to 72", add the following to the end of the product code:
+ number of inches.

OPTICAL ACCESSORIES

Specify as separate line items.
All are 2 3/4" (70mm) dia. Filters are glass; screens are aluminum.

color filters
Daylight Blue DAY/2.75
Surprise Pink PNK/2.75
amber AMB/2.75
blue BLU/2.75
green GRN/2.75
red RED/2.75
33% light reduction screen SCR33/2.75
50% light reduction screen SCR50/2.75

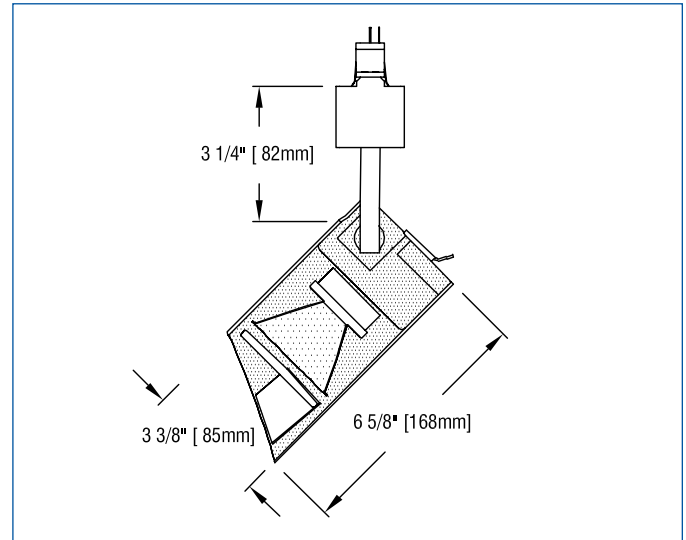


APPLICATIONS

Luminaire is suitable for highlighting vertical surfaces in museums, galleries, showrooms, residences, offices and stores.

Luminaire is  listed for mounting on Edison Price Lighting 120-volt or 277-volt track.

Fixture Spacing Requirements The track adapter of this fixture is 7" long. For this reason 1) it cannot be track-mounted closer than 7 1/4" on center and 2) it cannot be used with 3 of our 7 Unicep single-fixture track units.



– see below for photometric reports –



PHOTOMETRIC REPORT (tested per IESNA LM-79-2008)

Verification Services Report No. 1139435. Original test report furnished upon request.

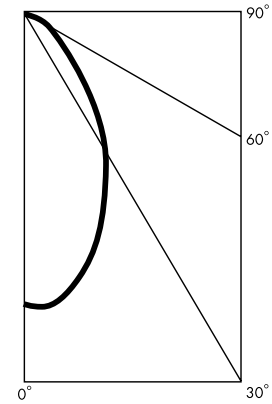
Luminaire track-mounted LED wallwasher with a 60° internal reflector, a 40° x 70° spread lens and a specular hammer tone kicker reflector.
 Lamp Xicato XTM LED Module, 1500 lumens, 3000K
 Lamp Life rated 50,000 hours based on L70/B50 criteria. LM80 report by LED manufacturer furnished upon request

WALLWASH INFORMATION

Distance From Ceiling (Feet)	2' 6" From Wall; 2' 6" O.C.		3' From Wall; 3' O.C.		3' 6" From Wall; 3' 6" O.C.	
	Below Fixture	Between Fixtures	Below Fixture	Between Fixtures	Below Fixture	Between Fixtures
1	29	26	17	16	12	11
2	42	37	24	22	16	15
3	42	41	28	26	20	18
4	35	34	26	26	20	20
5	27	26	22	22	19	18
6	20	20	18	18	16	16
7	16	15	15	14	13	13
8	12	12	12	12	11	11
9	10	9	10	9	9	9
10			8	8	8	8

This table lists initial illuminance values at the center of a row of at least 5 fixtures with no contribution from ceiling or floor reflectance. Fixtures were modeled with maximum candlepower at 12° above vertical.

CANDLEPOWER DISTRIBUTION



LUMINAIRE LIGHT OUTPUT AND EFFICACY

LED Module Type	Luminaire Light Output	Luminaire CBCP	Luminaire Efficacy (lumens/watt)	System Wattage
700 Lumens Artist	478*	498*	60*	8
1000 Lumens Artist	662*	689*	55*	12
1300 Lumens Artist	845*	880*	50*	17
2100 Lumens Artist	1374*	1431*	55*	25
1000 Lumens Designer	662*	689*	60*	11
1500 Lumens Designer	1018*	1060*	60*	17
2100 Lumens Designer	1364*	1420*	65*	21
2400 Lumens Designer	1558*	1622*	62*	25
1000 Lumens standard & Vibrant	641*	668*	80*	8
1500 Lumens standard & Vibrant	1018	1060	73	14
2100 Lumens standard & Vibrant	1364*	1420*	65*	21
2700 Lumens standard & Vibrant	1731*	1802*	69*	25

*estimated values

LIGHT OUTPUT MULTIPLIER

LED Module Type	Light Output Multiplier
700 Lumens Artist	.47*
1000 Lumens Artist	.65*
1300 Lumens Artist	.83*
2100 Lumens Artist	1.35*
1000 Lumens Designer	.65*
1500 Lumens Designer	1*
2100 Lumens Designer	1.34*
2400 Lumens Designer	1.53*
1000 Lumens standard & Vibrant	.63*
1500 Lumens standard & Vibrant	1
2100 Lumens standard & Vibrant	1.34*
2700 Lumens standard & Vibrant	1.7*

STANDARD DRIVER INFORMATION (UL Class 2, dry and damp location)

Voltage	120	277
Input Watts (700A/1000A/1300A/2100A/1000H/1500H/2100H/2400H/1000S/1500S/2100S/2700S lumens)	8/12/17/25/11/17/21/25/8/14/21/25	8/12/17/25/11/17/21/25/8/14/21/25
Input Current(A) (700A/1000A/1300A/2100A/1000H/1500H/2100H/2400H/1000S/1500S/2100S/2700S lumens)	.07/10/14/21/09/14/18/21/07/12/18/21	.03/04/06/09/04/06/08/09/03/05/08/09
Output Current (mA)	350-700	350-700
Min. Power Factor 0.99	0.90	0.90
Operating Temperature Range (F)	-13 to 122	-13 to 122