

Project

Type



Date Product Code

Designer

MINIMAX[®] NSP

track mounted LED spotlight



MiniMax NSP
with Ring Baffle (OG)
(beam smoother not in use)

MiniMax NSP
with Open Aperture (OH)



aperture view

DMP models shown



aperture view

- Luminaire may be configured to mount to any of eighteen 20-amp, 120-volt [track systems](#) – or – to any of six 277-volt track systems.
- Fixture function can be changed with your choice of Quick Change Cartridge – which can be removed from the fixture easily – and your choice of ‘twist and lock’ [reflector](#).
- Quick Change Cartridge / Reflector choices
 - Quick Change Cartridge with a ring baffle (OG) for enhanced beam control; for use with 10° or 24° reflectors
 - Quick Change Cartridge with an open aperture (OH) for maximum efficacy; for use with 10° or 24° reflectors
- Fixture is provided with a single Quick Change Cartridge and a single reflector. Additional Quick Change Cartridges and reflectors may be ordered as accessories.
- **Optical Accessories:** Each Quick Change Cartridge accepts one or two of a number of spread lenses, color filters and screens. A complimentary Beam Smoother is included.
- An on-off rocker switch, mounted flush in the circular top of the luminaire, is included standard on luminaires equipped for 120 volt service only.
- A concealed swivel provides 385° horizontal rotation and vertical adjustment from 0° to 90°. The swivel is permanently tensioned, allowing the luminaire to remain fixed at any angle. Luminaire can be locked in place by depressing a hinged (‘lever lock’) bar so that it lies flush with the top of the housing. Lifting the lever lock frees the swivel.
- MiniMax luminaires have seamless aluminum housings and cast aluminum tops for lightweight durability and heat dissipation.
- For more information, [click here](#).

For an outlet box mounted model, see [MiniMax NSP-OBM](#)

MiniMax NSP is a track mounted 10° or 24° spotlight powered by one of a number of Xicato XTM 9mm modules – including Artist Series and Vibrant Series modules – all of which are distinguished by extraordinary color consistency (within 1x2-step MacAdam ellipse). See tables on the reverse for wattages and efficacies.

PRODUCT CODE

For complete product code, list basic unit and select one item from each following box.

Basic Unit MM-XTS

Quick Change Cartridge

Ring Baffle + OG
Open Aperture + OH

Beam Spread Reflector (specify one to ship with fixture)

10° narrow spot - 10D
24° spot - 24D

Track Configuration

120-volt track (e.g. SightLine) - 2C
277-volt track (e.g. HighLine) no switch; not dimmable - HC

Finish

white: includes white switch - WH
black: includes black switch - BL
Industrial Silver: includes black switch - SI
custom color: specify switch color: white or black - CC

Driver

dimmable to 5% or 10% (see Light Output box below) by either an incandescent or ELV dimmer on 120-volt track only, seamless driver case, pictured, measures 5 5/16" x 1 13/16" x 1 5/8" - DMP
Lutron LTE Hi-Lume driver dimmable to 1% with a Lutron incandescent dimmer on 120-volt track only; seamless driver case measures 5 3/8" x 3 5/8" x 1 5/8" - DMI-LU

For a model that dims wirelessly see [MiniMax NSP Bluetooth](#)

Light Source Output

700 lumens / CRI 98 Artist DMP [10%] - L07A
1000 lumens DMP [5%] - L10A
1000 lumens / CRI 80+ standard DMP [10%] - L10S
1300 lumens DMP [5%] - L13S
1000 lumens / CRI 80+ Vibrant 3000K only DMP [10%] - L10V
1300 lumens 3000K only DMP [5%] - L13V

Light Color

2700 K - 27K
3000 K - 30K
3500 K - 35K
4000 K - 40K

EXTRA CARTRIDGES & REFLECTORS

Specify as separate line items.

Quick Change Cartridge

Ring Baffle RK-MM+OG
Open Aperture RK-MM+OH

Reflector

10° spot reflector RK-MM-XTS-REF-10D
24° spot reflector RK-MM-XTS-REF-24D



41-50 22ND STREET, LIC NY 11101 TEL 718.685.0700 FAX 718.786.8530 www.epl.com

©Copyright, Edison Price Lighting 2019
MiniMax is a pending trademark of Edison Price Lighting.

TF 11-104 8:19

OPTICAL ACCESSORIES ▼ See next page

OPTICAL ACCESSORIES

Specify as separate line items.

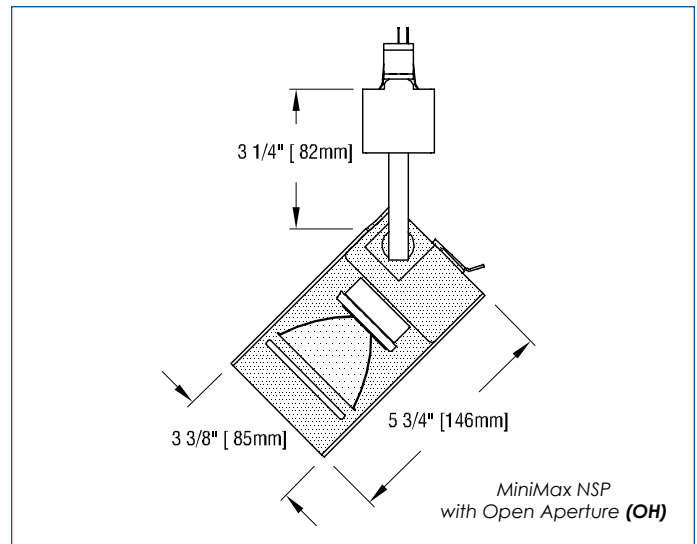
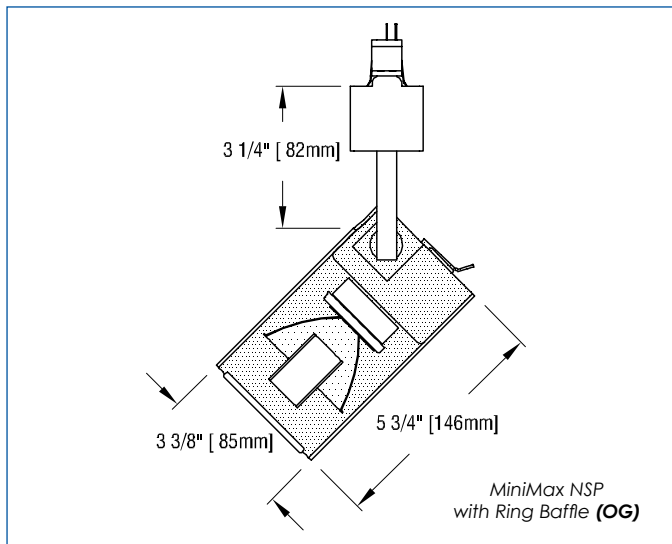
All are 2 3/4" (70mm) dia. Lenses and filters are glass; screens are aluminum.

diffuse glass	DGS/2.75
prismatic lens (Solite)	PLS/2.75
55° spread lens	LENS/2.75
40° x 70° spread lens	LENS/2.75-4070
beam smoother	CLR/2.75
color filters	
Daylight Blue	DAY/2.75
Surprise Pink	PNK/2.75
amber	AMB/2.75
blue	BLU/2.75
green	GRN/2.75
red	RED/2.75
33% light reduction screen	SCR33/2.75
50% light reduction screen	SCR50/2.75

MODIFICATIONS AVAILABLE

Contact factory with quantity for pricing; orders may require shop drawing approval.

For modified stem lengths up to 72", add the following to the end of the product code:
+ number of inches.



APPLICATIONS

Luminaire is listed for mounting on Edison Price Lighting 120-volt or 277-volt track.

Fixture Spacing Requirements The track adapter of this fixture is 7" long. For this reason 1) it cannot be track-mounted closer than 7 1/4" on center and 2) it cannot be used with 2 of our 7 **Unicep** single-fixture track units.

– see below for photometric reports –



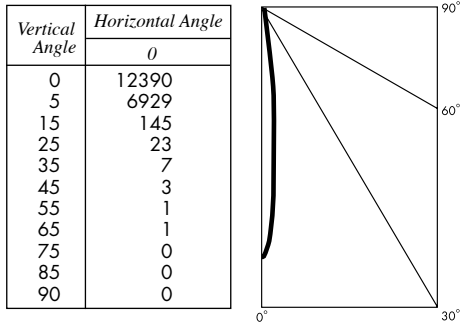
PHOTOMETRIC REPORT with 10° reflector (tested per IESNA LM-79-2008)



UL Verification Services Report No. 1197591. Original test report furnished upon request.

Luminaire track-mounted LED accent light with a 10° reflector and black ring-baffle (NO LENS)
 Lamp Xicato XTM 9mm LED Module, 1300 lumens, 3000K
 Lamp Life rated 50,000 hours based on L70/B50 criteria. LM80 report by LED manufacturer furnished upon request

CANDLEPOWER DISTRIBUTION



LUMINAIRE LIGHT OUTPUT AND EFFICACY

LED Module Type	Luminaire Light Output	Luminaire CBCP	Luminaire Efficacy (lms/watt)	System Wattage
700 Lumens Artist	307*	6815*	22*	14
1000 Lumens Artist	402*	8921*	21*	19
1000 Lumens standard & Vibrant	423*	9416*	30*	14
1300 Lumens standard & Vibrant	559	12,390	29*	19

*estimated values

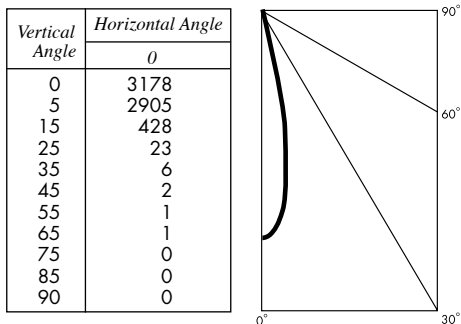
PHOTOMETRIC REPORT with 24° reflector (tested per IESNA LM-79-2008)



UL Verification Services Report No. 1197593. Original test report furnished upon request.

Luminaire track-mounted LED accent light with a 24° reflector and black ring-baffle (NO LENS)
 Lamp Xicato XTM 9mm LED Module, 1300 lumens, 3000K
 Lamp Life rated 50,000 hours based on L70/B50 criteria. LM80 report by LED manufacturer furnished upon request

CANDLEPOWER DISTRIBUTION



LUMINAIRE LIGHT OUTPUT AND EFFICACY

LED Module Type	Luminaire Light Output	Luminaire CBCP	Luminaire Efficacy (lms/watt)	System Wattage
700 Lumens Artist	224*	1747*	16*	14
1000 Lumens Artist	294*	2148*	15*	19
1000 Lumens standard & Vibrant	310*	2415*	22*	14
1300 Lumens standard & Vibrant	408	3178	21*	19

*estimated values

STANDARD DRIVER INFORMATION (UL Class 2, dry and damp location)

Voltage	120	277
Input Watts [L07A/L10A/L10S&V/13S&V]	14/19/14/19	14/19/14/19
Input Current(A) [L07A/L10A/L10S&V/13S&V]	.12/.16/.12/.16	.05/.07/.05/.07
Output Current (mA)	500-700	500-700
Min. Power Factor	.99	.99
Operating Temperature Range (F)	-13 to 122	-13 to 122

LIGHT OUTPUT MULTIPLIER

LED Module Type	Light Output Multiplier
700 Lumens Artist	.55*
1000 Lumens Artist	.72*
1000 Lumens standard & Vibrant	.76*
1300 Lumens standard & Vibrant	1.0

*estimated values

PHOTOMETRIC REPORT with 10° reflector (tested per IESNA LM-79-2008)



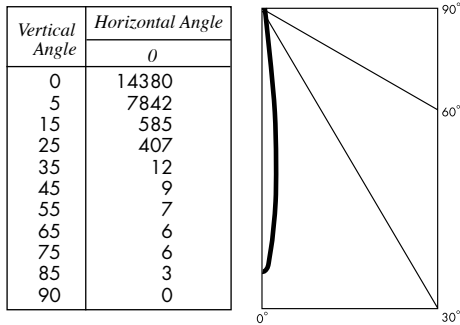
UL Verification Services Report No. 1197590. Original test report furnished upon request.

Luminaire track-mounted LED accent light with a 10° reflector and black lens holder (NO LENS)

Lamp Xicato XTM 9mm LED Module, 1300 lumens, 3000K

Lamp Life rated 50,000 hours based on L70/B50 criteria. LM80 report by LED manufacturer furnished upon request

CANDLEPOWER DISTRIBUTION



LUMINAIRE LIGHT OUTPUT AND EFFICACY

LED Module Type	Luminaire Light Output	Luminaire CBCP	Luminaire Efficacy (lms/watt)	System Wattage
700 Lumens Artist	496*	7909*	35*	14
1000 Lumens Artist	649*	10,353*	34*	19
1000 Lumens standard & Vibrant	685*	10,929*	49*	14
1300 Lumens standard & Vibrant	901	14,380	47	19

*estimated values

PHOTOMETRIC REPORT with 24° reflector (tested per IESNA LM-79-2008)



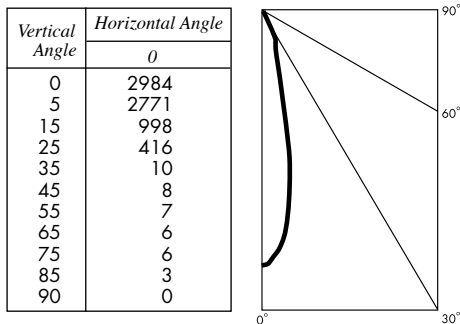
UL Verification Services Report No. 1197592. Original test report furnished upon request.

Luminaire track-mounted LED accent light with a 24° reflector and black lens holder (NO LENS)

Lamp Xicato XTM 9mm LED Module, 1300 lumens, 3000K

Lamp Life rated 50,000 hours based on L70/B50 criteria. LM80 report by LED manufacturer furnished upon request

CANDLEPOWER DISTRIBUTION



LUMINAIRE LIGHT OUTPUT AND EFFICACY

LED Module Type	Luminaire Light Output	Luminaire CBCP	Luminaire Efficacy (lms/watt)	System Wattage
700 Lumens Artist	393*	1641*	28*	14
1000 Lumens Artist	514*	2148*	27*	19
1000 Lumens standard & Vibrant	543*	2268*	39*	14
1300 Lumens standard & Vibrant	714	2984	37	19

*estimated values

STANDARD DRIVER INFORMATION (UL Class 2, dry and damp location)

Voltage	120	277
Input Watts (L07A/L10A/L10S&V/13S&V)	14/19/14/19	14/19/14/19
Input Current(A) (L07A/L10A/L10S&V/13S&V)	.12/.16/.12/.16	.05/.07/.05/.07
Output Current (mA)	500-700	500-700
Min. Power Factor	.99	.99
Operating Temperature Range (F)	-13 to 122	-13 to 122

LIGHT OUTPUT MULTIPLIER

LED Module Type	Light Output Multiplier
700 Lumens Artist	.55*
1000 Lumens Artist	.72*
1000 Lumens standard & Vibrant	.76*
1300 Lumens standard & Vibrant	1.0

*estimated values