

Project

Type



Date

Product Code

Designer

# MINIMAX™ W BLUETOOTH

track mounted addressable LED wallwasher



- **Luminaire is equipped with a Xicato XIM Gen4 LED module**, an IOT device with embedded micro-processor and Bluetooth Low Energy chip, controllable via a smart device with iOS or Windows based apps. Features include
  - standard Bluetooth Wireless connectivity
  - addressable individually
  - on/off control
  - dimming to 0.1%. Combination with integral rotary dimmer available as modification.
  - data collection and storage for power consumption and LED performance
  - direct listening to switches and sensors
  - embedded Eddystone, iBeacon and/or AltBeacon beacons
- **Luminaire may be configured to mount to any of eighteen 20-amp, 120-volt track systems** – or – to any of six 277-volt track systems.
- **The optical assembly consists of a hammered aluminum reflector and a 40° x 70° spread lens.** In addition, the assembly can accept one of a number of optional **Optical Accessories** including color filters and screens. Assembly is keyed relative to luminaire housing, to retain critical lens orientation.
- **A concealed swivel provides 385° horizontal rotation and vertical adjustment from 0° to 90°.** The swivel is permanently tensioned, allowing the luminaire to remain fixed at any angle. Luminaire can be locked in place by depressing a hinged ('lever lock') bar so that it lies flush with the top of the housing. Lifting the lever lock frees the swivel.
- **MiniMax luminaires have seamless aluminum housings** and cast aluminum tops for lightweight durability and heat dissipation.
- **For more information, [click here](#).**

#### USB Key

To address this fixture from a Windows-based PC, laptop or tablet, a USB key (dongle) is required. Contact factory for USB key.

For the outlet box mounted version of this luminaire, see **MiniMax W-OBM Bluetooth**.

#### MODIFICATIONS AVAILABLE

Contact factory with quantity for pricing; orders may require shop drawing approval.  
For modified stem lengths up to 72", add the following to the end of the product code:  
+ number of inches.

**MiniMax W Bluetooth** is a track mounted wallwasher powered by one of a number of Xicato XIM Gen4 19mm LED modules, all of which are distinguished by extraordinary color consistency (within 1x2-step MacAdam ellipse). See tables on the reverse for wattages and efficacies.

## PRODUCT CODE

For complete product code, list basic unit and select one item from each following box.

Basic Unit .....	MM-XIM-W
Track Configuration	
120-volt track (e.g. SightLine) .....	- 2C
277-volt track (e.g. HighLine) .....	- HC
Finish	
white .....	- WH
black .....	- BL
Industrial Silver .....	- SI
custom color .....	- CC
Light Source Output	
1300 lumens / CRI 98 Artist .....	- 13A
1300 lumens / CRI 80+ standard .....	- 13S
1300 lumens / CRI 80+ Vibrant .....	- 13V
Light Color	
2700 K .....	- 27K
3000 K .....	- 30K
3500 K .....	- 35K
4000 K .....	- 40K

#### Circuit Limitations

Luminaire operates only on track circuits with no dimmer on the circuit

## OPTION

**Integral Dimmer:** rotary dimmer located in side of driver case; dims to 1% on 120 or 277 volt track; see detail below ..... - ID

## OPTICAL ACCESSORIES Specify as separate line items.

All are 2 3/4" (70mm) dia. Filters are glass; screens are aluminum.

color filters	
Daylight Blue .....	DAY/2.75
Surprise Pink .....	PNK/2.75
amber .....	AMB/2.75
blue .....	BLU/2.75
green .....	GRN/2.75
red .....	RED/2.75
<b>33% light reduction screen</b> .....	<b>SCR33/2.75</b>
<b>50% light reduction screen</b> .....	<b>SCR50/2.75</b>



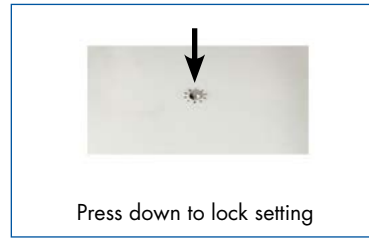
41-50 22<sup>ND</sup> STREET, LIC NY 11101 TEL 718.685.0700 FAX 718.786.8530 www.epl.com

©Copyright, Edison Price Lighting 2019  
MiniMax is a pending trademark of Edison Price Lighting.

TF 11-110 12:19

## INTEGRAL DIMMER OPTION (ID)

Integral rotary dimmer located in one side of the driver case: Dimmer control shaft is spring loaded, permitting shaft to be exposed for adjustment then depressed flush to conserve dimmer setting. "Clock face" markings permit registration of dimmer setting.

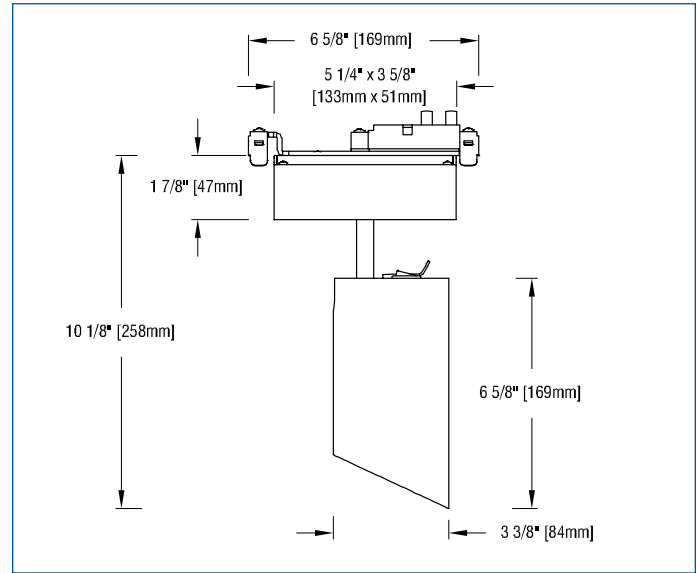


## APPLICATIONS

Luminaire is suitable for highlighting vertical surfaces in museums, galleries, showrooms, residences, offices and stores.

Luminaire is listed for mounting on Edison Price Lighting 120-volt or 277-volt track.

**Fixture Spacing Requirements** The track adapter of this fixture is  $6 \frac{5}{8}$ " long. For this reason 1) it cannot be track-mounted closer than  $6 \frac{7}{8}$ " on center and 2) it cannot be used with 2 of our 7 **Unicep** single-fixture track units.



– see below for photometric reports –



## PHOTOMETRIC REPORT (tested per IESNA LM-79-2008)

Prorated from Verification Services Report No. 1139435. Original test report furnished upon request.

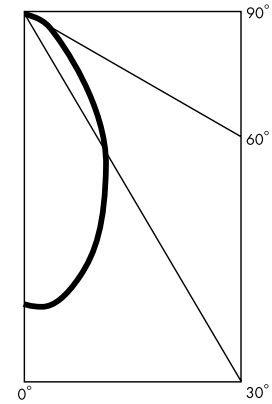
Luminaire ..... track-mounted LED wallwasher with a 60° internal reflector, a 40° x 70° spread lens and a specular hammer tone kicker reflector.  
 Lamp ..... Xicato XIM19 LED Module, 1300 lumens, 3000K  
 Lamp Life ..... rated 50.000 hours based on L70/B50 criteria. LM80 report by LED manufacturer furnished upon request

### WALLWASH INFORMATION

Distance From Ceiling (Feet)	2' 6" From Wall; 2' 6" O.C.		3' From Wall; 3' O.C.		3' 6" From Wall; 3' 6" O.C.	
	Below Fixture	Between Fixtures	Below Fixture	Between Fixtures	Below Fixture	Between Fixtures
1	20	19	13	12	9	8
2	33	30	21	18	14	13
3	38	36	26	23	18	14
4	32	32	25	24	19	18
5	25	25	21	21	17	17
6	19	19	17	17	15	15
7	15	15	14	14	12	12
8	12	11	11	11	10	10
9	9	9	8	9	8	9
10			7	7	7	7

This table lists initial illuminance values at the center of a row of at least 5 fixtures with no contribution from ceiling or floor reflectance. Fixtures were modeled with maximum candlepower at 12° above vertical.

### CANDLEPOWER DISTRIBUTION



### STANDARD DRIVER INFORMATION (UL Class 2, dry and damp location)

Voltage	120	277
Input Watts (1300A/13S&V)	19/15	19/15
Input Current(A) (1300A/13S&V)	.16/.13	.07/.05
Output Voltage (V)	48	48
Min. Power Factor	0.90	0.90
Operating Temperature Range (F)	-13 to 122	-13 to 122

### LIGHT OUTPUT MULTIPLIER

LED Module Type	Light Output Multiplier
1300 Lumens Artist	1
1300 Lumens standard & Vibrant	1

### LUMINAIRE LIGHT OUTPUT AND EFFICACY

LED Module Type	Luminaire Light Output	Luminaire Efficacy (lms/watt)	System Wattage
1300 Lumens Artist	852	45*	19
1300 Lumens standard & Vibrant	852	51*	15

\*estimated values