

Project

Type



Date

Product Code

Designer

# MIDIMAX™ O BLUETOOTH

track mounted addressable LED accent light



MidiMax O Bluetooth with Cross Baffle (OX)

MidiMax O Bluetooth with Open Aperture (OH)

- **Luminaire is equipped with a Xicato XIM Gen4 LED module**, an IOT device with embedded micro-processor and Bluetooth Low Energy chip, controllable via a smart device with iOS or Windows based apps. Features include
  - standard Bluetooth Wireless connectivity
  - addressable individually
  - on/off control
  - dimming to 0.1%. Combination with integral rotary dimmer available as modification.
  - data collection and storage for power consumption and LED performance
  - direct listening to switches and sensors
  - embedded Eddystone, iBeacon and/or AltBeacon beacons
- **Luminaire may be configured to mount to any of eighteen 20-amp, 120-volt track systems** – or – to any of six 277-volt track systems.
- **Fixture function can be changed with your choice of Aperture Assembly and your choice of 'twist and lock' reflector.**
- **Aperture Assembly / Reflector choices**
  - **Cross Baffle (OX)** for enhanced glare control ; for use with interchangeable 20°, 40° and 60° reflectors.
  - **Open Aperture (OH)** for maximum efficacy; for use with interchangeable 20°, 40° and 60° reflectors.
 Fixture is ordered with a single Aperture Assembly and a single reflector. Additional aperture assemblies and reflectors may be ordered as accessories.
- **Optical Accessories:** Both OX and OH Aperture Assemblies accept one or two of a number of spread lenses or color filters. With the OX assembly lens orientation may be adjusted by rotating the cross baffle. A complimentary beam smoother is included with either assembly.
- **A concealed swivel provides 385° horizontal rotation and vertical adjustment from 0° to 90°.** The swivel is permanently tensioned, allowing the luminaire to remain fixed at any aiming angle.
- **MidiMax luminaires have seamless aluminum housings** and cast aluminum tops for lightweight durability and heat dissipation.
- **For more information, [click here.](#)**

MidiMax O Bluetooth is a track mounted accent light capable of 20°, 40° or 60° beam spreads. Luminaire is powered by one of a number of Xicato LED modules. See tables below for wattages and efficacies.

## PRODUCT CODE

For complete product code, list basic unit and select one item from each following box.

|  |        |
|--|--------|
| <b>Basic Unit</b> .....  | LX-XIM |
| <b>Track Configuration</b>   |        |
| 120-volt track (e.g. SightLine) .....  | - 2C   |
| 277-volt track (e.g. HighLine) .....   | - HC   |
| <b>Aperture Assembly</b>   |        |
| Cross Baffle .....   | - OX   |
| Open Aperture .....  | - OH   |
| <b>Finish</b>  |        |
| white .....  | - WH   |
| black .....  | - BL   |
| Industrial Silver .....  | - SI   |
| custom color .....   | - CC   |
| <b>Beam Spread Reflector</b> (specify one to ship with fixture)                |        |
| 20° spot .....   | - 20D  |
| 40° flood .....  | - 40D  |
| 60° wide flood .....   | - 60D  |
| <b>Light Source Output</b>   |        |
| 1300 lumens / CRI 98 Artist .....  | - 13A  |
| 1300 lumens / CRI 80+ standard .....   | - 13S  |
| 1300 lumens / CRI 80+ Vibrant .....  | - 13V  |
| <b>Light Color</b>   |        |
| 2700 K .....   | - 27K  |
| 3000 K .....   | - 30K  |
| 3500 K .....   | - 35K  |
| 4000 K .....   | - 40K  |
| <b>Circuit Limitations</b>   |        |
| Luminaire operates only on track circuits with <u>no</u> dimmer on the circuit |        |

## OPTION

**Integral Dimmer:** rotary dimmer located on side of driver case; dims to 10% on 120 or 277 volt track; see detail below ..... - IDM

## EXTRA APERTURES & REFLECTORS

Specify as separate line items.

|   |                     |
|---|---------------------|
| <b>Aperture Assembly</b>  |                     |
| Cross Baffle .....  | - RK-LX-OX          |
| Open Aperture .....   | - RK-LX-OH          |
| <b>Reflector</b>  |                     |
| 20° spot .....  | - RK-LX-XTM-REF-D20 |
| 40° flood .....   | - RK-LX-XTM-REF-D40 |
| 60° wide flood .....  | - RK-LX-XTM-REF-D60 |
| <b>USB Key</b>  |                     |
| To address this fixture from a Windows-based PC, laptop or tablet, a USB key (dongle) is required. Contact factory for USB key. |                     |

## OPTICAL ACCESSORIES ▼ See next page



For the outlet box mounted version of this luminaire, see **MidiMax O-OBM Bluetooth**.

## INTEGRAL DIMMER OPTION (ID)

Integral rotary dimmer located in one side of the driver case: Dimmer control shaft is spring loaded, permitting shaft to be exposed for adjustment then depressed flush to conserve dimmer setting. "Clock face" markings permit registration of dimmer setting.

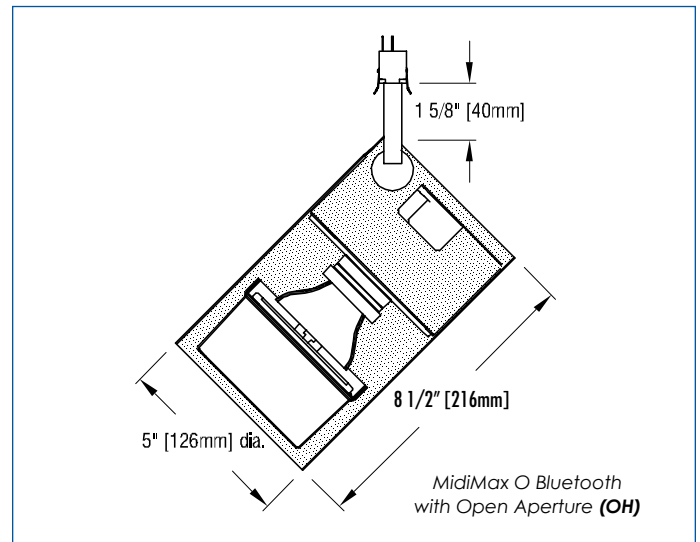
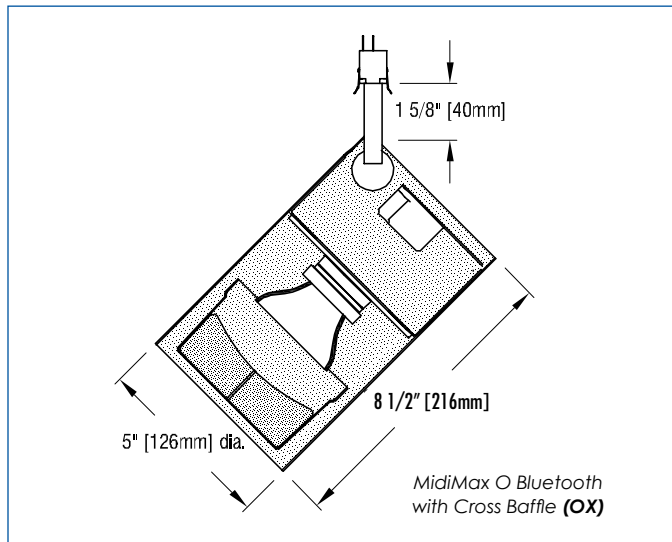


## OPTICAL ACCESSORIES

Specify as separate line items.

All are 3 3/4" (95mm) dia. Lenses and filters are glass; screens are aluminum.

- 55° spread lens ..... LENS/3.75
- 40° x 70° spread lens ..... LENS/3.75-4070
- prismatic lens (Solite) ..... PLS/3.75
- beam smoother included with fixture ..... CLR/3.75
- color filters**
- Daylight Blue ..... DAY/3.75
- Surprise Pink ..... PNK/3.75
- amber ..... AMB/3.75
- blue ..... BLU/3.75
- green ..... GRN/3.75
- red ..... RED/3.75
- 33% light reduction screen ..... SCR33/3.75
- 50% light reduction screen ..... SCR50/3.75



## APPLICATIONS

Luminaire is suitable for highlighting vertical or horizontal surfaces, as well as objects in museums, galleries, showrooms, residences, offices and stores. Luminaire is listed for mounting on Edison Price Lighting 120-volt or 277-volt track.

– see below for photometric reports –



## PHOTOMETRIC REPORT with 20° reflector (tested per IESNA LM-79-2008)



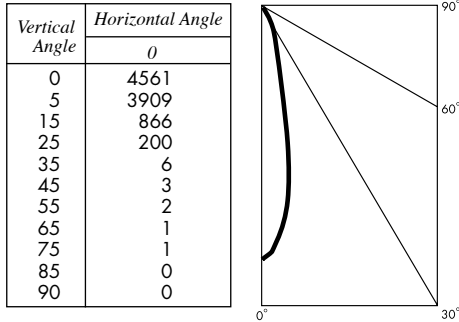
Prorated from Verification Services Report No. 1164149. Original test report furnished upon request.

Luminaire ..... track-mounted LED accent light with a 20° reflector and black cross-baffle (NO LENS)

Lamp ..... Xicato 19mm XIM LED Module, 1300 lumens, 3000K, 80 CRI

Lamp Life ..... rated 50.000 hours based on L70/B50 criteria. LM80 report by LED manufacturer furnished upon request

### CANDLEPOWER DISTRIBUTION



### LUMINAIRE LIGHT OUTPUT AND EFFICACY

| LED Module Type                | Luminaire Light Output | Luminaire Efficacy (lms/watt) | System Wattage |
|--------------------------------|------------------------|-------------------------------|----------------|
| 1300 Lumens standard & Vibrant | 662*                   | 44*                           | 15             |
| 1300 Lumens Artist             | 662*                   | 34*                           | 19             |

\*estimated values

## PHOTOMETRIC REPORT with 40° reflector (tested per IESNA LM-79-2008)

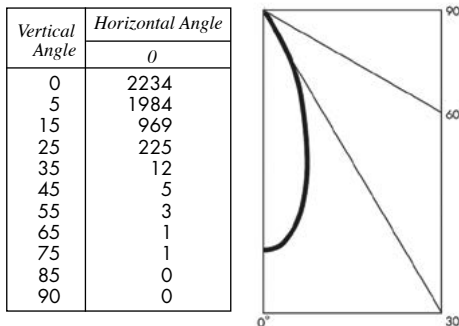


Prorated from Verification Services Report No. 1164150. Original test report furnished upon request.

Luminaire ..... track-mounted LED accent light with a 40° reflector and black cross-baffle (NO LENS)

Lamp ..... Xicato 19mm XIM LED Module, 1300 lumens, 3000K, 80 CRI      Lamp Life ..... see above

### CANDLEPOWER DISTRIBUTION



### LUMINAIRE LIGHT OUTPUT AND EFFICACY

| LED Module Type                | Luminaire Light Output | Luminaire Efficacy (lms/watt) | System Wattage |
|--------------------------------|------------------------|-------------------------------|----------------|
| 1300 Lumens standard & Vibrant | 564*                   | 38*                           | 15             |
| 1300 Lumens Artist             | 564*                   | 29*                           | 19             |

\*estimated values

## PHOTOMETRIC REPORT with 60° reflector (tested per IESNA LM-79-2008)

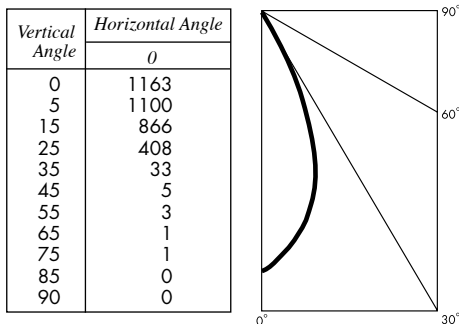


Prorated from Verification Services Report No. 1164151. Original test report furnished upon request.

Luminaire ..... track-mounted LED accent light with a 60° reflector and black cross-baffle (NO LENS)

Lamp ..... Xicato 19mm XIM LED Module, 1300 lumens, 3000K, 80 CRI      Lamp Life ..... see above

### CANDLEPOWER DISTRIBUTION



### LUMINAIRE LIGHT OUTPUT AND EFFICACY

| LED Module Type                | Luminaire Light Output | Luminaire Efficacy (lms/watt) | System Wattage |
|--------------------------------|------------------------|-------------------------------|----------------|
| 1300 Lumens standard & Vibrant | 563*                   | 38*                           | 15             |
| 1300 Lumens Artist             | 563*                   | 29*                           | 19             |

\*estimated values

## PHOTOMETRIC REPORT with 20° reflector (tested per IESNA LM-79-2008)

Prorated from Verification Services Report No. 1164146. Original test report furnished upon request.

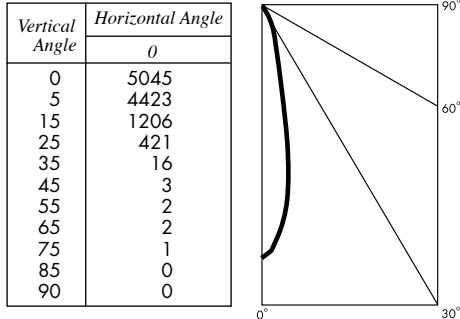
Luminaire ..... track-mounted LED accent light with a 20° reflector and black lens holder (NO LENS)

Lamp ..... Xicato 19mm XIM LED Module, 1300 lumens, 3000K, 80 CRI

Lamp Life ..... rated 50.000 hours based on L70/B50 criteria. LM80 report by LED manufacturer furnished upon request



### CANDLEPOWER DISTRIBUTION



### LUMINAIRE LIGHT OUTPUT AND EFFICACY

| LED Module Type                | Luminaire Light Output | Luminaire Efficacy (lms/watt) | System Wattage |
|--------------------------------|------------------------|-------------------------------|----------------|
| 1300 Lumens standard & Vibrant | 914*                   | 61*                           | 15             |
| 1300 Lumens Artist             | 914*                   | 47*                           | 19             |

\*estimated values

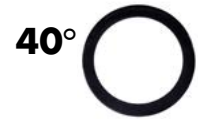
## PHOTOMETRIC REPORT with 40° reflector (tested per IESNA LM-79-2008)

Prorated from Verification Services Report No. 1164147. Original test report furnished upon request.

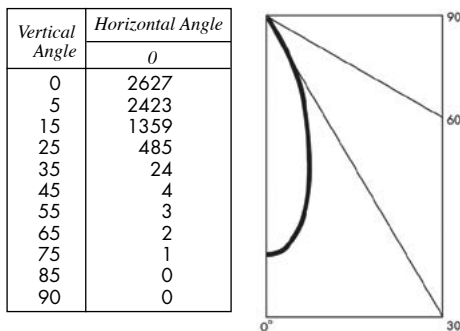
Luminaire ..... track-mounted LED accent light with a 40° reflector and black lens holder (NO LENS)

Lamp ..... Xicato 19mm XIM LED Module, 1300 lumens, 3000K, 80 CRI

Lamp Life ..... see above



### CANDLEPOWER DISTRIBUTION



### LUMINAIRE LIGHT OUTPUT AND EFFICACY

| LED Module Type                | Luminaire Light Output | Luminaire Efficacy (lms/watt) | System Wattage |
|--------------------------------|------------------------|-------------------------------|----------------|
| 1300 Lumens standard & Vibrant | 843*                   | 56*                           | 15             |
| 1300 Lumens Artist             | 843*                   | 43*                           | 19             |

\*estimated values

## PHOTOMETRIC REPORT with 60° reflector (tested per IESNA LM-79-2008)

Prorated from Verification Services Report No. 1164148. Original test report furnished upon request.

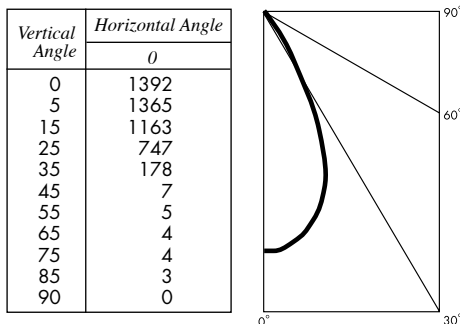
Luminaire ..... track-mounted LED accent light with a 60° reflector and black lens holder (NO LENS)

Lamp ..... Xicato 19mm XIM LED Module, 1300 lumens, 3000K, 80 CRI

Lamp Life ..... see above



### CANDLEPOWER DISTRIBUTION



### LUMINAIRE LIGHT OUTPUT AND EFFICACY

| LED Module Type                | Luminaire Light Output | Luminaire Efficacy (lms/watt) | System Wattage |
|--------------------------------|------------------------|-------------------------------|----------------|
| 1300 Lumens standard & Vibrant | 919*                   | 62*                           | 15             |
| 1300 Lumens Artist             | 919*                   | 47*                           | 19             |

\*estimated values

## STANDARD DRIVER INFORMATION (UL Class 2, dry and damp location)

| Voltage                                 | 120        | 277        |
|---|------------|------------|
| Input Watts (1300A/1300S&V lumens)      | 19/15      | 19/15      |
| Input Current(A) (1300A/1300S&V lumens) | .16/.13    | .07/.05    |
| Min. Power Factor                       | 0.90       | 0.90       |
| Operating Temperature Range (F)         | -13 to 122 | -13 to 122 |

## LIGHT OUTPUT MULTIPLIER

| LED Module Type                | Light Output Multiplier |
|--------------------------------|-------------------------|
| 1300 Lumens standard & Vibrant | 1*                      |
| 1300 Lumens Artist             | 1*                      |