

Project

Type



Date

Product Code

Designer

MIDIMAX™ NSP

track mounted LED ring-baffled spotlight



MidiMax NSP is a track mounted 10° or 24° spotlight powered by one of a number of Xicato XTM 9mm modules – including Artist Series and Vibrant Series modules – all of which are distinguished by extraordinary color consistency (within 1x2-step MacAdam ellipse). See tables on the reverse for wattages and efficacies.

- Luminaire may be configured to mount to any of eighteen 20-amp, 120-volt [track systems](#) – or – to any of six 277-volt track systems.
- Luminaire may be ordered with one of a number of drivers.
- Optical assembly consists of an internal reflector and a matte black concentric ring baffle which increases beam control, eliminates spill light and minimizes glare. Ring baffle is equipped with clips to accept one or two of a number of [Optical Accessories](#), including spread lenses, color filters and light reduction screens. A complimentary Beam Smoother is included.
- Beam spread may be changed by removing the ring baffle, replacing one 'twist an lock' [reflector](#) with the other, and re-inserting the ring baffle. Luminaire is ordered with a single reflector; the other reflector may be ordered as an accessory.
- A concealed swivel provides 385° horizontal rotation and vertical adjustment from 0° to 90°. The swivel is permanently tensioned, allowing the luminaire to remain fixed at any angle.
- MidiMax luminaires have seamless aluminum housings and cast aluminum tops for lightweight durability and heat dissipation.
- For more information, [click here](#)

For an outlet box mounted model; see [MidiMax NSP-OBM](#)

MODIFICATIONS AVAILABLE

Contact factory with quantity for pricing; orders may require shop drawing approval.
For modified stem lengths up to 72", add the following to the end of the product code:
+ number of inches.

PRODUCT CODE

For complete product code, list basic unit and select one item from each following box.

Basic Unit LX-XTS-OG

Track Configuration

120-volt track (e.g. SightLine) - 2C
 277-volt track (e.g. HighLine) *no switch; not dimmable* - HC

Finish

white - WH
 black - BL
 Industrial Silver - SI
 custom color paint finish... *include paint number or physical chip with order* ... - CC

Light Source Output (Lumens)

700 lumens / CRI 98 Artist - L07A
 1000 lumens - L10A
 1300 lumens - L13A
 1000 lumens / CRI 80+ standard - L10S
 1300 lumens - L13S
 1000 lumens / CRI 80+ Vibrant *3000K only* - L10V
 1300 lumens *3000K only* - L13V

Light Color

2700 K - 27K
 3000 K - 30K
 3500 K - 35K
 4000 K - 40K

Driver

dimmmable to 5% by an incandescent or electronic
 low voltage (ELV) dimmer; 120-volt service only - DMP
 dimmmable to 10% by an ELV dimmer; 120-volt service only..... - DME

For a model that dims wirelessly; see [MidiMax NSP Bluetooth](#)
 For a model with an integral dimmer; see [IDM MidiMax NSP](#)

Beam Spread Reflector (*specify one to ship with fixture*)

10° narrow spot..... - 10D
 24° spot..... - 24D

OPTIONS *Specify by adding to the product code.*

a rocker type **on/off switch** on fixture top, for use on
 120-volt track only - SW
*white switch for white fixture, black for Silver or black fixture,
 specify which for custom color fixture*

EXTRA REFLECTORS *Specify as separate line items.*

10° narrow spot reflector XTS-REF10-72
 24° spot reflector XTS-REF24-70

OPTICAL ACCESSORIES ▼ *See next page*

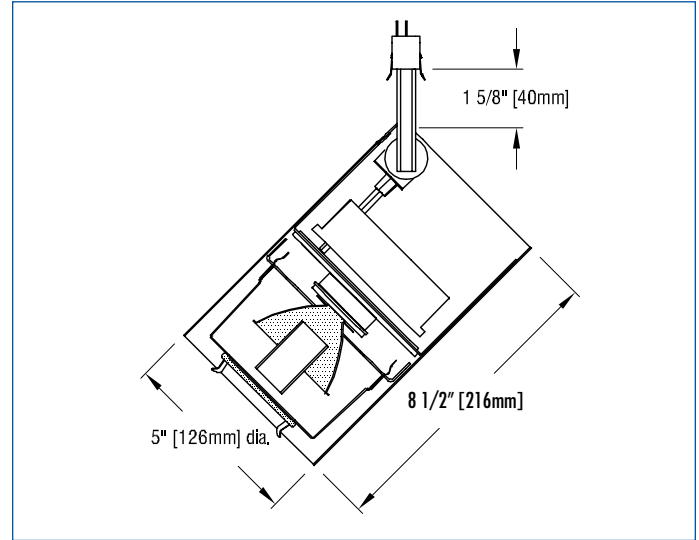


OPTICAL ACCESSORIES

Specify as separate line items.

All are 2 3/4" (70mm) dia. Lenses and filters are glass; screens are aluminum.

diffuse glass	DGS/2.75
prismatic lens (Solite)	PLS/2.75
55° spread lens	LENS/2.75
40° x 70° spread lens	LENS/2.75-4070
beam smoother	included with fixture CLR/2.75
color filters	
Daylight Blue	DAY/2.75
Surprise Pink	PNK/2.75
amber	AMB/2.75
blue	BLU/2.75
green	GRN/2.75
red	RED/2.75
33% light reduction screen	SCR33/2.75
50% light reduction screen	SCR50/2.75



APPLICATIONS

Luminaire is listed for mounting on Edison Price Lighting 120-volt or 277-volt track.

– see below for photometric reports –



PHOTOMETRIC REPORT with 10° reflector (tested per IESNA LM-79-2008)

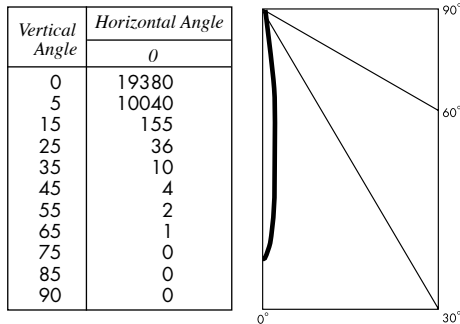
UL Verification Services Report No. 1222997. Original test report furnished upon request.

Luminaire track-mounted LED accent light with a 10° reflector and black ring-baffle (NO LENS)

Lamp Xicato 9mm XTM LED Module, 2000 lumens, 3000K

Lamp Life rated 50.000 hours based on L70/B50 criteria. LM80 report by LED manufacturer furnished upon request

CANDLEPOWER DISTRIBUTION



LUMINAIRE LIGHT OUTPUT AND EFFICACY

LED Module Type	Luminaire Light Output	Luminaire CBCP	Luminaire Efficacy (lms/watt)	System Wattage
700 Lumens Artist	277*	6986*	20*	14
1000 Lumens Artist	365*	9192*	19*	19
1300 Lumens Artist	505*	12,723*	17*	30
1000 Lumens standard & Vibrant	382*	9631*	27*	14
1300 Lumens standard & Vibrant	510*	12,849*	27*	19

*estimated values

PHOTOMETRIC REPORT with 24° reflector (tested per IESNA LM-79-2008)

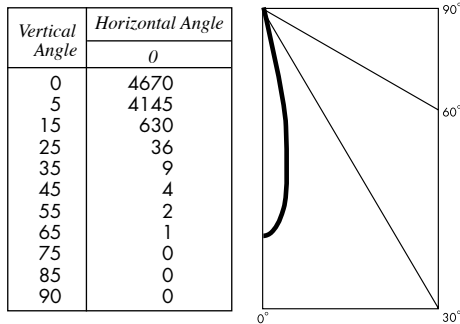
UL Verification Services Report No. 122998. Original test report furnished upon request.

Luminaire track-mounted LED accent light with a 24° reflector and black ring-baffle (NO LENS)

Lamp Xicato 9mm XTM LED Module, 2000 lumens, 3000K

Lamp Life rated 50.000 hours based on L70/B50 criteria. LM80 report by LED manufacturer furnished upon request

CANDLEPOWER DISTRIBUTION



LUMINAIRE LIGHT OUTPUT AND EFFICACY

LED Module Type	Luminaire Light Output	Luminaire CBCP	Luminaire Efficacy (lms/watt)	System Wattage
700 Lumens Artist	207*	1684*	15*	14
1000 Lumens Artist	272*	2215*	14*	19
1300 Lumens Artist	376*	3066*	12*	30
1000 Lumens standard & Vibrant	285*	2321*	20*	14
1300 Lumens standard & Vibrant	380*	3096*	20*	19

*estimated values

STANDARD DRIVER INFORMATION (UL Class 2, dry and damp location)

Voltage	120	277
Input Watts (L07A/L10A/L13A/L10S&V/L13S&V)	14/19/30/14/19	14/19/30/14/19
Input Current(A) (L07A/L10A/L13A/L10S&V/L13S&V)	.12/.16/.25/.12/.16	.05/.07/.11/.05/.07
Output Current (mA)	500-1050	500-1050
Min. Power Factor	.99	.99
Operating Temperature Range (F)	-13 to 122	-13 to 122

LIGHT OUTPUT MULTIPLIER

LED Module Type	Light Output Multiplier
700 Lumens Artist	.36*
1000 Lumens Artist	.47*
1300 Lumens Artist	.65*
1600 Lumens Artist	.78*
1000 Lumens standard & Vibrant	.50*
1300 Lumens standard & Vibrant	.66*
2000 Lumens test only	1