

MIDIMAX™ NSP BLUETOOTH



track mounted addressable LED ring-baffled spotlight



Shown with Beam Smoother in use

- **Luminaire is equipped with a Xicato XIM Gen4 LED module**, an IOT device with embedded micro-processor and Bluetooth Low Energy chip, controllable via a smart device with iOS or Windows based apps. Features include
 - standard Bluetooth Wireless connectivity
 - addressable individually
 - on/off control
 - dimming to 0.1%. Combination with integral rotary dimmer available as modification.
 - data collection and storage for power consumption and LED performance
 - direct listening to switches and sensors
 - embedded Eddystone, iBeacon and/or AltBeacon beacons
- **Luminaire may be configured to mount to any of eighteen 20-amp, 120-volt track systems** – or – to any of six 277-volt track systems.
- **Optical assembly consists of an internal reflector and a matte black concentric ring baffle which increases beam control**, eliminates spill light and minimizes glare. Ring baffle is equipped with clips to accept one or two of a number of [Optical Accessories](#), including spread lenses, color filters and light reduction screens. A complimentary Beam Smoother is included.
- **Beam spread may be changed by removing the ring baffle**, replacing one 'twist an lock' [reflector](#) with the other, and re-inserting the ring baffle. Luminaire is ordered with a single reflector; the other reflector may be ordered as an accessory.
- **A concealed swivel provides 385° horizontal rotation and vertical adjustment from 0° to 90°**. The swivel is permanently tensioned, allowing the luminaire to remain fixed at any angle.
- **MidiMax luminaires have seamless aluminum housings** and cast aluminum tops for lightweight durability and heat dissipation.
- **For more information, [click here](#)**

MidiMax NSP Bluetooth is a track mounted 10° or 24° spotlight powered by one of a number of Xicato XIM Gen4 9mm modules. See tables on the reverse for wattages and efficacies.

PRODUCT CODE

For complete product code, list basic unit and select one item from each following box.

Basic Unit	LX-XIS-OG
Beam Spread Reflector (specify one to ship with fixture)	
10° narrow spot.....	- 10D
24° spot.....	- 24D
Track Configuration	
120-volt track (e.g. SightLine)	- 2C
277-volt track (e.g. HighLine)	<i>no switch</i> - HC
Finish	
white	- WH
black	- BL
Industrial Silver	- SI
custom color	- CC
Light Source Output	
700 lumens / CRI 98 Artist	- L07A
700 lumens / CRI 80+ standard	- L07S
700 lumens / CRI 80+ Vibrant	<i>3000K only</i> - L07V
1000 lumens / CRI 98 Artist	- L10A
1300 lumens / CRI 80+ standard	- L13S
1300 lumens / CRI 80+ Vibrant	<i>3000K only</i> - L13V
Light Color	
2700 K	- 27K
3000 K	- 30K
3500 K	- 35K
4000 K	- 40K
Circuit Limitations	
Luminaire operates only on track circuits with <u>no</u> dimmer on the circuit	

OPTION

Integral Dimmer: rotary dimmer located on side of driver case; dims to 10% on 120 or 277 volt track; see detail below	- IDM
--	-------

EXTRA REFLECTORS *Specify as separate line items.*

10° narrow spot reflector	XTS-REF10-70
24° spot reflector	XTS-REF24-70

OPTICAL ACCESSORIES ▼ *See next page*

USB Key
To address this fixture from a Windows-based PC, laptop or tablet, a USB key (dongle) is required. Contact factory for USB key.

For the outlet box mounted version of this luminaire, see **MidiMax NSP-OBM Bluetooth**.



INTEGRAL DIMMER OPTION (ID)

Integral rotary dimmer located in one side of the driver case: Dimmer control shaft is spring loaded, permitting shaft to be exposed for adjustment then depressed flush to conserve dimmer setting. "Clock face" markings permit registration of dimmer setting.

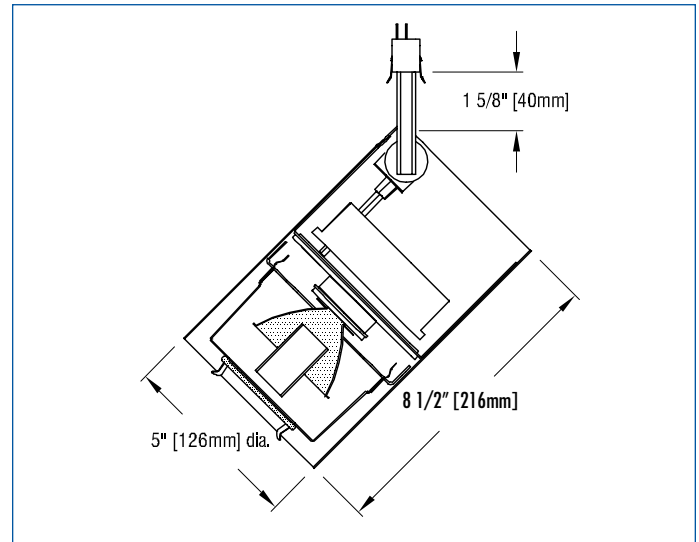


OPTICAL ACCESSORIES

Specify as separate line items.

All are 2 3/4" (70mm) dia. Lenses and filters are glass; screens are aluminum.

diffuse glass	DGS/2.75
prismatic lens (Solite)	PLS/2.75
55° spread lens	LENS/2.75
40° x 70° spread lens	LENS/2.75-4070
beam smoother	included with fixture
CLR/2.75	
color filters	
Daylight Blue	DAY/2.75
Surprise Pink	PNK/2.75
amber	AMB/2.75
blue	BLU/2.75
green	GRN/2.75
red	RED/2.75
33% light reduction screen	SCR33/2.75
50% light reduction screen	SCR50/2.75



APPLICATIONS

Luminaire is listed for mounting on Edison Price Lighting 120-volt or 277-volt track.

– see below for photometric reports –



PHOTOMETRIC REPORT with 10° reflector (tested per IESNA LM-79-2008)

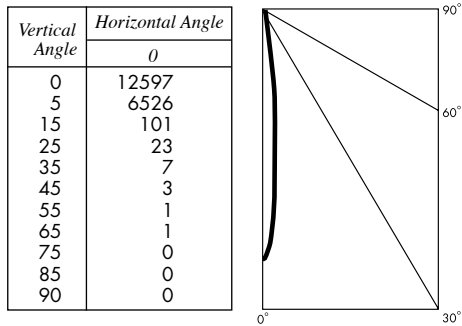
Prorated from Verification Services Report No. 1222997. Original test report furnished upon request.

Luminaire track-mounted LED accent light with a 10° reflector and black ring-baffle (NO LENS)

Lamp Xicato 9mm XIM LED Module, 1300 lumens, 3000K, 80 CRI

Lamp Life rated 50.000 hours based on L70/B50 criteria. LM80 report by LED manufacturer furnished upon request

CANDLEPOWER DISTRIBUTION



LUMINAIRE LIGHT OUTPUT AND EFFICACY

LED Module Type	Luminaire Light Output	Luminaire CBCP	Luminaire Efficacy (lms/watt)	System Wattage
700 Lumens Artist	275*	6928*	20*	14
700 Lumens standard & Vibrant	275*	6928*	25*	11
1000 Lumens Artist	385*	9700*	17*	23
1300 Lumens standard & Vibrant	500	12,597	26	19

*estimated values

PHOTOMETRIC REPORT with 24° reflector (tested per IESNA LM-79-2008)

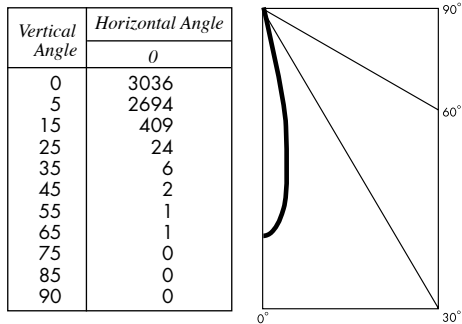
Prorated from Verification Services Report No. 122998. Original test report furnished upon request.

Luminaire track-mounted LED accent light with a 24° reflector and black ring-baffle (NO LENS)

Lamp Xicato 9mm XIM LED Module, 1300 lumens, 3000K, 80 CRI

Lamp Life rated 50.000 hours based on L70/B50 criteria. LM80 report by LED manufacturer furnished upon request

CANDLEPOWER DISTRIBUTION



LUMINAIRE LIGHT OUTPUT AND EFFICACY

LED Module Type	Luminaire Light Output	Luminaire CBCP	Luminaire Efficacy (lms/watt)	System Wattage
700 Lumens Artist	205*	1670*	15*	14
700 Lumens standard & Vibrant	205*	1670*	19*	11
1000 Lumens Artist	287*	2338*	12*	23
1300 Lumens standard & Vibrant	373	3036	19	19

*estimated values

STANDARD DRIVER INFORMATION (UL Class 2, dry and damp location)

Voltage	120	277
Input Watts (L07A/L10A/L07S&V/L13S&V lumens)	14/23/11/19	14/23/11/19
Input Current(A) (L07A/L10A/L07S&V/L13S&V lumens)	.12/.19/.09/.16	.05/.08/.04/.07
Min. Power Factor	.99	.99
Operating Temperature Range (F)	-13 to 122	-13 to 122

LIGHT OUTPUT MULTIPLIER

LED Module Type	Light Output Multiplier
700 Lumens Artist	.55*
700 Lumens standard & Vibrant	.55*
1000 Lumens Artist	.77*
1300 Lumens standard & Vibrant	1

*estimated values