

Project

Date

Product Code

# MIDIMAX™ W

track mounted LED wallwasher

Type

Designer



**MidiMax W is a track mounted wallwasher powered by one of a number of Xicato LED modules, all of which are distinguished by extraordinary color consistency (within 1x2-step MacAdam ellipse). See tables on the reverse for wattages and efficacies.**

- Luminaire may be configured to mount to any of eighteen 20-amp, 120-volt [track systems](#) – or – to any of six 277-volt track systems.
- Luminaire may be ordered with one of a number of drivers.
- The optical assembly for MidiMax LED W consists of an aluminum reflector and a 40° x 70° spread lens. In addition, the assembly can accept one of a number of optional [Optical Accessories](#) including color filters and screens. Assembly is keyed relative to luminaire housing, to retain critical lens orientation.
- A concealed swivel provides 385° horizontal rotation and vertical adjustment from 0° to 90°. The swivel is permanently tensioned, allowing the luminaire to remain fixed at any aiming angle.
- MidiMax luminaires have seamless aluminum housings and cast aluminum tops for lightweight durability and heat dissipation.
- For more information, [click here](#).

For an outlet box mounted model; see [MidiMax W-OBM](#)

### MODIFICATIONS AVAILABLE

Contact factory with quantity for pricing; orders may require shop drawing approval.  
For modified stem lengths up to 72", add the following to the end of the product code:  
+ number of inches.

## PRODUCT CODE

For complete product code, list basic unit and select one item from each following box.

**Basic Unit** ..... LX2-XTM-W

### Track Configuration

120-volt track (e.g. SightLine) ..... - 2C  
277-volt track (e.g. HighLine) ..... no switch; not dimmable ..... - HC

### Finish

white paint finish ..... - WH  
black paint finish ..... - BL  
Industrial Silver paint finish ..... - SI  
custom color paint finish .. include paint number or physical chip with order .. - CC

### Driver

dimmable to 10% (see Light Output box below) with electronic low voltage (ELV) dimmer on 120-volt track ..... - DME  
dimmable to 5% (see Light Output box below) with either incandescent or electronic low voltage (ELV) dimmer on 120-volt track ..... - DMP  
non dimmable the only choice for 277-volt track;  
may be selected for 120-volt track as well..... - UNV

For a model that dims wirelessly; see [MidiMax W Bluetooth](#)

For a model with an integral dimmer; see [IDM MidiMax W](#)

### Light Source Output

1000 lumens / CRI 98 Artist .....DMP [ 5% ] ..... - L10A  
1400 lumens .....DMP [ 5% ] ..... - L14A  
2100 lumens .....DME [10%] ..... - L21A  
1500 lumens / CRI 80+ standard.....DMP [ 5% ] ..... - L15S  
2100 lumens .....DMP [ 5% ] ..... - L21S  
1500 lumens / CRI 80+ Vibrant..... 3000K only....DMP [ 5% ] ..... - L15V  
2100 lumens .....3000K only....DMP [ 5% ] ..... - L21V

### Light Color

2700 K ..... - 27K  
3000 K ..... - 30K  
3500 K ..... - 35K  
4000 K ..... - 40K

## OPTIONS *Specify by adding to the product code.*

a rocker type **on/off switch** on fixture top, for use on 120-volt track only ..... - SW  
*white switch for white fixture, black for Silver or black fixture, specify which for custom color fixture*

► For luminaires modified for 50A or 60A track systems, contact factory.

## OPTICAL ACCESSORIES

*Specify as separate line items.*

*All are 3 3/4" (95mm) dia. Filters are glass; screens are aluminum.*


### color filters

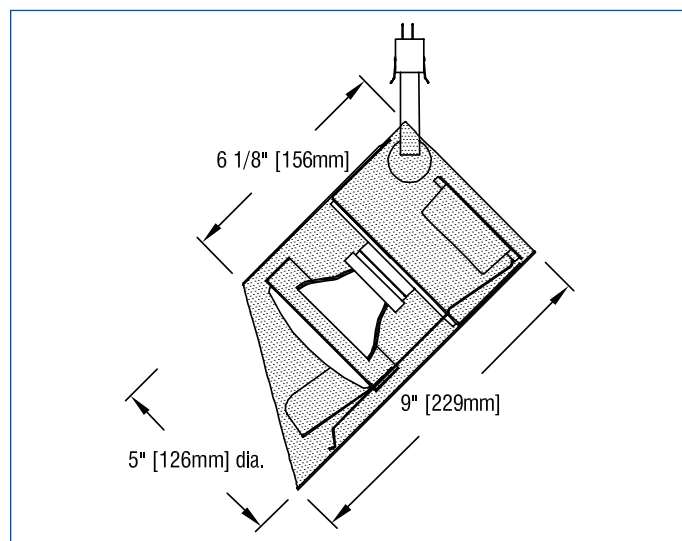
Daylight Blue ..... DAY/3.75  
Surprise Pink ..... PNK/3.75  
amber ..... AMB/3.75  
blue ..... BLU/3.75  
green ..... GRN/3.75  
red ..... RED/3.75  
**33% light reduction screen** ..... SCR33/3.75  
**50% light reduction screen** ..... SCR50/3.75



## APPLICATIONS

Luminaire is suitable for highlighting vertical surfaces in museums, galleries, showrooms, residences, offices and stores.

Luminaire is  listed for mounting on Edison Price Lighting 120-volt or 277-volt track.



– see below for photometric reports –



## PHOTOMETRIC REPORT (tested per IESNA LM-79-2008)

Data prorated from Verification Services Report No. 1161145. Original report furnished upon request.

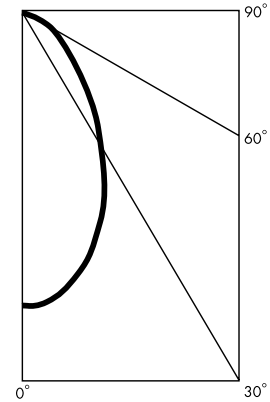
Luminaire ..... track-mounted LED wallwasher with a 60° internal reflector, a 40° x 70° spread lens and a specular kicker reflector.  
 Lamp ..... Xicato LED Module, 2100 lumens, 3000K

### WALLWASH INFORMATION

Distance From Ceiling (Feet)	3' From Wall; 3' O.C. (2100 lumens)		3' 6" From Wall; 3' 6" O.C. (2100 lumens)		4' From Wall; 4' O.C. (3000 lumens)	
	Below Fixture	Between Fixtures	Below Fixture	Between Fixtures	Below Fixture	Between Fixtures
1	18	16	15	13	12	11
2	30	26	22	19	19	16
3	34	32	27	24	23	21
4	31	31	26	26	25	23
5	27	26	23	23	23	23
6	22	21	20	20	21	21
7	18	17	17	16	19	18
8	14	14	14	13	16	16
9	11	11	11	11	14	14
10	9	9	9	9	12	12
11	7	7	7	7	10	10
12	6	6	6	6	9	8
13					7	7
14					6	6
15					6	5

This table lists initial illuminance values at the center of a row of at least 5 fixtures with no contribution from ceiling or floor reflectance. Fixtures were modeled with maximum candlepower at 10° to 15° above vertical.

### CANDLEPOWER DISTRIBUTION



### STANDARD DRIVER INFORMATION (UL Class 2, dry and damp location)

Voltage	120	277
Input Watts (1000A/1400A/2100A/1500/2100 lumens)	14/21/26/18/23	14/21/26/18/23
Input Current(A) (1000A/1400A/2100A/1500/2100 lumens)	.12/18/22/15/19	.05/08/09/06/08
Output Current (mA)	500-1050	500-1050
Min. Power Factor	0.90	0.90
Operating Temperature Range (F)	-13 to 122	-13 to 122

### LIGHT OUTPUT MULTIPLIER

1000 lumens Artist LED module	1400 lumens Artist LED module	2100 lumens Artist LED module	1500 lumens & Vibrant LED module	2100 lumens & Vibrant LED module
.47 (estimated)	.67 (estimated)	1	.75 (estimated)	1

### LUMINAIRE LIGHT OUTPUT AND EFFICACY

LED Module Type	Luminaire Light Output	Luminaire Efficacy (lms/watt)	System Wattage
1000 Lumens Artist	491*	36*	14
1400 Lumens Artist	705*	34*	21
2100 Lumens Artist	1047*	40*	26
1500 Lumens standard & Vibrant	783*	44*	18
2100 Lumens standard & Vibrant	1047	47	23

\*estimated values