

MIDIMAX™ W BLUETOOTH

track mounted addressable LED wallwasher



- **Luminaire is equipped with a Xicato XIM Gen4 LED module**, an IOT device with embedded micro-processor and Bluetooth Low Energy chip, controllable via a smart device with iOS or Windows based apps. Features include
 - standard Bluetooth Wireless connectivity
 - addressable individually
 - on/off control
 - dimming to 0.1%. Combination with integral rotary dimmer available as modification.
 - data collection and storage for power consumption and LED performance
 - direct listening to switches and sensors
 - embedded Eddystone, iBeacon and/or AltBeacon beacons
- **Luminaire may be configured to mount to any of eighteen 20-amp, 120-volt track systems** – or – to any of six 277-volt track systems.
- **The optical assembly for MidiMax LED W consists of an aluminum reflector and a 40° x 70° spread lens.** In addition, the assembly can accept one of a number of optional **Optical Accessories** including color filters and screens. Assembly is keyed relative to luminaire housing, to retain critical lens orientation.
- **A concealed swivel provides 385° horizontal rotation and vertical adjustment from 0° to 90°.** The swivel is permanently tensioned, allowing the luminaire to remain fixed at any aiming angle.
- **MidiMax luminaires have seamless aluminum housings** and cast aluminum tops for lightweight durability and heat dissipation.
- **For more information, [click here.](#)**

USB Key

To address this fixture from a Windows-based PC, laptop or tablet, a USB key (dongle) is required. Contact factory for USB key.

For the outlet box mounted version of this luminaire, see **MidiMax W-OBM Bluetooth.**

MidiMax W Bluetooth is a track mounted wallwasher powered by one of a number of Xicato XIM Gen4 19mm LED modules. See tables on the reverse for wattages and efficacies.

PRODUCT CODE

For complete product code, list basic unit and select one item from each following box.

Basic Unit	LX-XIM-W
Track Configuration	
120-volt track (e.g. SightLine)	- 2C
277-volt track (e.g. HighLine)	no switch - HC
Finish	
white	- WH
black	- BL
Industrial Silver	- SI
custom color	- CC
Light Source Output	
1300 lumens / CRI 98 Artist	- 13A
1300 lumens / CRI 80+ standard	- 13S
1300 lumens / CRI 80+ Vibrant	3000K only -13V
Light Color	
2700 K	- 27K
3000 K	- 30K
3500 K	- 35K
4000 K	- 40K
Circuit Limitations	
Luminaire operates only on track circuits with <u>no</u> dimmer on the circuit	

OPTION

Integral Dimmer: rotary dimmer located on side of driver case; dims to 10% on 120 or 277 volt track; see detail below	- IDM
--	-------

OPTICAL ACCESSORIES Specify as separate line items.

All are 2 3/4" (70mm) dia. Filters are glass; screens are aluminum.

color filters	
Daylight Blue	DAY/3.75
Surprise Pink	PNK/3.75
amber	AMB/3.75
blue	BLU/3.75
green	GRN/3.75
red	RED/3.75
33% light reduction screen	SCR33/3.75
50% light reduction screen	SCR50/3.75



41-50 22ND STREET, LIC NY 11101 TEL 718.685.0700 FAX 718.786.8530 www.epl.com

©Copyright, Edison Price Lighting 2019
MidiMax is a pending trademark of Edison Price Lighting.

TF 11-127 8:19


INTEGRAL DIMMER OPTION (ID)

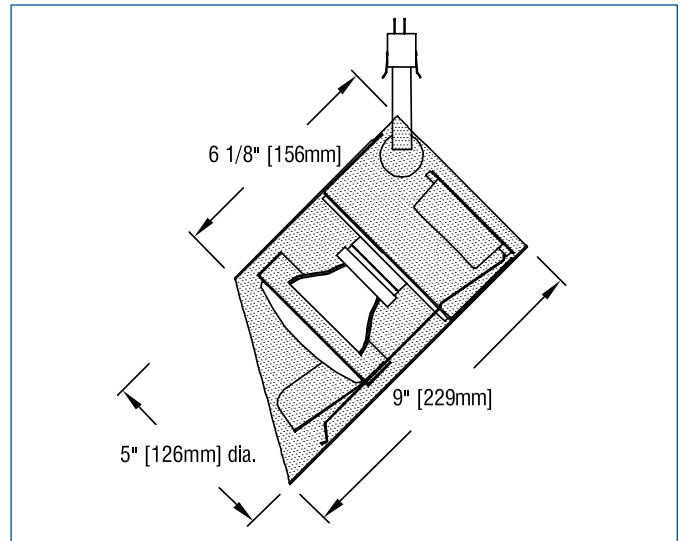
Integral rotary dimmer located in one side of the driver case: Dimmer control shaft is spring loaded, permitting shaft to be exposed for adjustment then depressed flush to conserve dimmer setting. "Clock face" markings permit registration of dimmer setting.



APPLICATIONS

Luminaire is suitable for highlighting vertical surfaces in museums, galleries, showrooms, residences, offices and stores.

Luminaire is  listed for mounting on Edison Price Lighting 120-volt or 277-volt track.



– see below for photometric reports –



MIDIMAX W BLUETOOTH



PHOTOMETRIC REPORT (tested per IESNA LM-79-2008)

Data prorated from Verification Services Report No. 1161145. Original report furnished upon request.

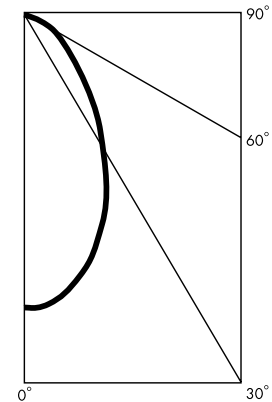
Luminaire track-mounted LED wallwasher with a 60° internal reflector, a 40° x 70° spread lens and a specular kicker reflector.
 Lamp Xicato 19mm XIM LED Module, 1300 lumens, 3000K, 80 CRI

WALLWASH INFORMATION

Distance From Ceiling (Feet)	2'6" From Wall; 2'6" O.C. (1300 lumens)		3'0" From Wall; 3'0" O.C. (1300 lumens)		3'6" From Wall; 3'6" O.C. (1300 lumens)	
	Below Fixture	Between Fixtures	Below Fixture	Between Fixtures	Below Fixture	Between Fixtures
1	23	19	14	13	10	9
2	33	29	22	19	15	13
3	31	31	23	22	17	16
4	26	26	20	20	16	16
5	20	20	17	17	14	14
6	15	15	14	13	12	12
7	11	11	11	10	10	10
8	9	8	9	8	8	8
9	7	7	7	7	7	7
10	5	5	5	5	5	5
11			4	4	4	4
12			4	4	4	4
13					3	3
14					3	3
15						

This table lists initial illuminance values at the center of a row of at least 5 fixtures with no contribution from ceiling or floor reflectance. Fixtures were modeled with maximum candlepower at 10° to 15° above vertical.

CANDLEPOWER DISTRIBUTION



STANDARD DRIVER INFORMATION (UL Class 2, dry and damp location)

Voltage	120	277
Input Watts (1300A/1300S&V lumens)	19/15	19/15
Input Current(A) (1300A/1300S&V lumens)	.16/.13	.07/.05
Min. Power Factor	0.90	0.90
Operating Temperature Range (F)	-13 to 122	-13 to 122

LIGHT OUTPUT MULTIPLIER

LED Module Type	Light Output Multiplier
1300 Lumens standard & Vibrant	1*
1300 Lumens Artist	1*

LUMINAIRE LIGHT OUTPUT AND EFFICACY

LED Module Type	Luminaire Light Output	Luminaire Efficacy (lms/watt)	System Wattage
1300 Lumens standard & Vibrant	647*	43*	15
1300 Lumens Artist	647*	33*	19

*estimated values