

IDM MIDIMAX™ LED NSP

track mounted LED ring-baffled spotlight with integral dimmer



IDM MidiMax LED NSP is a track mounted 10° or 24° spotlight powered by one of a number of Xicato LED modules, all of which are distinguished by extraordinary color consistency (within 1x2-step MacAdam ellipse). See tables on the reverse for wattages and efficacies.

- **Luminaire may be configured to mount to any of eighteen 20-amp, 120-volt track systems** – or – to any of six 277-volt track systems. Luminaire is not suitable for use on 120-volt track systems dimmed by electronic low voltage (ELV) or incandescent dimming systems.
- **Whether operated on 120-volt or 277-volt track, luminaire may be dimmed to 10% by an integral rotary dimmer** located in the center of the housing top. Dimmer control shaft is spring loaded, permitting shaft to be expressed for adjustment and then depressed flush with the housing top to conserve dimmer setting. 'Clock face' markings permit registration of dimmer setting. (See illustrations below.)
- **Optical assembly consists of an integral reflector and a matte black concentric ring baffle** which increases beam control, eliminates spill light and minimizes glare. Ring baffle is equipped with clips to accept one or two of a number of **Optical Accessories** including spread lenses, color filters and light reduction screens. A complimentary Beam Smoother is included.
- **Beam spread is changed by removing the ring-baffle assembly**, replacing one 'twist and lock' reflector with another, and re-inserting the ring-baffle assembly. Luminaire is ordered with a single reflector; the other reflector may be ordered as an accessory.
- **A concealed swivel provides 385° horizontal rotation and vertical adjustment from 0° to 90°**. The swivel is permanently tensioned, allowing the luminaire to remain fixed at any aiming angle.
- **MidiMax luminaires have seamless aluminum housings** and cast aluminum tops for lightweight durability and heat dissipation.
- **For more information, [click here](#).**

For the outlet box mounted version of this luminaire, see **IDM MidiMax LED NSP-OBM**.

PRODUCT CODE

For complete product code, list basic unit and select one item from each following box.

Basic Unit	IDM-LX-XTS-OG
Track Configuration	
120-volt track (e.g. SightLine)	2C
277-volt track (e.g. HighLine)	switch not available - HC
Beam Spread Reflector (specify one to ship with fixture)	
10° narrow spot	10D
24° spot	24D
Finish	
white paint finish	WH
black paint finish	BL
Industrial Silver paint finish	SI
custom color paint finish... include paint number or physical chip with order ..	CC
Light Source Output	
1600 lumens / CRI 98 Artist	L16A
2000 lumens / CRI 80+	L20S
2000 lumens / CRI 80+ Vibrant3000K only.....	L20V
Light Color	
2700 K	27K
3000 K	30K
3500 K	35K
4000 K	40K

Dimming Notes:

- Fixture may be dimmed only by its integral dimmer.
- Fixture cannot be dimmed by a dimmer of any kind on the track circuit.
- Fixture may be damaged by use of an incandescent or ELV dimmer on the track circuit.
- Fixture will not be dimmed or damaged by use of a 0-10V dimmer on the track circuit.
- Combination with wireless Bluetooth controls available as modification.

OPTIONS *Specify by adding to the product code.*

a rocker type **on/off switch** on fixture top, for use on 120-volt track only..... SW
white switch for white fixture, black for Silver or black fixture,
specify which for custom color fixture

► For luminaires modified for 50A or 60A track systems, contact factory.

EXTRA REFLECTORS *Specify as separate line items.*

10° narrow spot reflector XTS-REF10-72
24° spot reflector..... XTS-REF24-70

OPTICAL ACCESSORIES ▼ *See next page*



DIMMER OPERATION

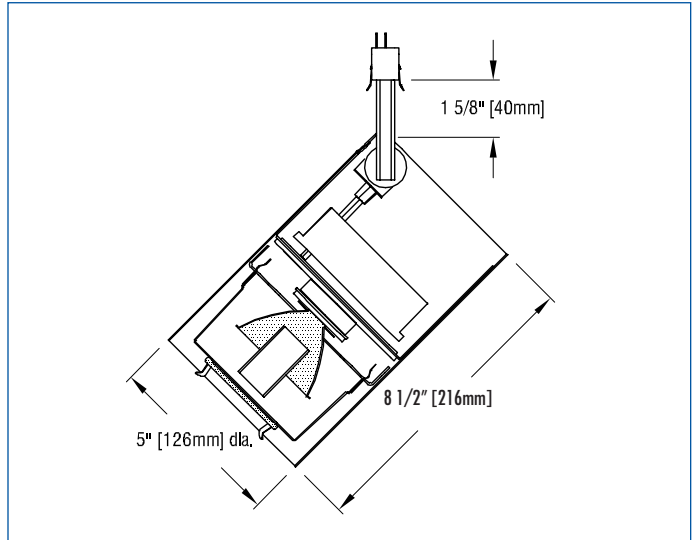


OPTICAL ACCESSORIES

Specify as separate line items.

All are 2 3/4" (70mm) dia. Lenses and filters are glass; screens are aluminum.

diffuse glass	DGS/2.75
prismatic lens (Solite)	PLS/2.75
55° spread lens	LENS/2.75
40° x 70° spread lens	LENS/2.75-4070
beam smoother	CLR/2.75
color filters	
Daylight Blue	DAY/2.75
Surprise Pink	PNK/2.75
amber	AMB/2.75
blue	BLU/2.75
green	GRN/2.75
red	RED/2.75
33% light reduction screen	SCR33/2.75
50% light reduction screen	SCR50/2.75



APPLICATIONS

Luminaire is suitable for highlighting objects in museums, galleries, showrooms, residences, offices and stores.

Luminaire is listed for mounting on Edison Price Lighting 120-volt or 277-volt track.

– see below for photometric reports –



PHOTOMETRIC REPORT with 10° reflector (tested per IESNA LM-79-2008)

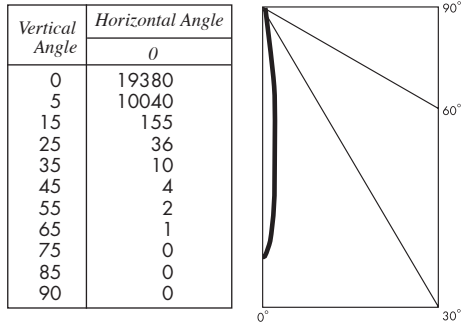
Verification Services Report No. 1222997. Original test report furnished upon request.

Luminaire track-mounted LED accent light with a 10° reflector and black ring-baffle (NO LENS)

Lamp Xicato 9mm XTM LED Module, 2000 lumens, 3000K

Lamp Life rated 50.000 hours based on L70/B50 criteria. LM80 report by LED manufacturer furnished upon request

CANDLEPOWER DISTRIBUTION (Candela)



LUMINAIRE LIGHT OUTPUT AND EFFICACY

LED Module Type	Luminaire Light Output	Luminaire CBCP	Luminaire Efficacy (lms/watt)	System Wattage
1600 Lumens Artist	600*	15,116*	16*	38
2000 Lumens standard & Vibrant	769	19,380	21	38

*estimated values

PHOTOMETRIC REPORT with 24° reflector (tested per IESNA LM-79-2008)

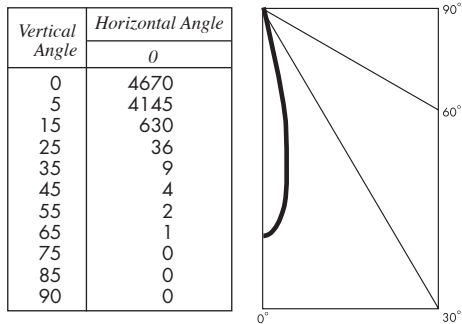
Verification Services Report No. 122998. Original test report furnished upon request.

Luminaire track-mounted LED accent light with a 24° reflector and black ring-baffle (NO LENS)

Lamp Xicato 9mm XTM LED Module, 2000 lumens, 3000K

Lamp Life rated 50.000 hours based on L70/B50 criteria. LM80 report by LED manufacturer furnished upon request

CANDLEPOWER DISTRIBUTION (Candela)



LUMINAIRE LIGHT OUTPUT AND EFFICACY

LED Module Type	Luminaire Light Output	Luminaire CBCP	Luminaire Efficacy (lms/watt)	System Wattage
1600 Lumens Artist	447*	3643*	12*	38
2000 Lumens standard & Vibrant	573	4670	15	38

*estimated values

STANDARD DRIVER INFORMATION (UL Class 2, dry and damp location)

Voltage	120	277
Input Watts (L16A/L20S&V)	38/38	38/38
Input Current(A) (L16A/L20S&V)	.32/.32	.14/.14
Output Current (mA)	500-1050	500-1050
Min. Power Factor	.99	.99
Operating Temperature Range (F)	-13 to 122	-13 to 122

LIGHT OUTPUT MULTIPLIER

LED Module Type	Light Output Multiplier
1600 Lumens Artist	.78*
2000 Lumens standard & Vibrant	1