

Project

Type



Date

Product Code

Designer

IDM MIDIMAX™ LED W

track mounted LED wallwasher with integral dimmer



IDM MidiMax LED W is a track mounted accent light powered by one of a number of Xicato LED modules, all of which are distinguished by extraordinary color consistency (within 1x2-step MacAdam ellipse). See tables on the reverse for wattages and efficacies.

PRODUCT CODE

For complete product code, list basic unit and select one item from each following box.

Basic Unit IDM-LX2-XTM-W

Track Configuration
120-volt track (e.g. SightLine) - 2C
277-volt track (e.g. HighLine) *switch not available* - HC

Finish
white paint finish - WH
black paint finish - BL
Industrial Silver paint finish - SI
custom color paint finish... *include paint number or physical chip with order* ..- CC

Light Source Output
2100 lumens / CRI 98 Artist - L21A
2100 lumens / CRI 80+ - L21S
2100 lumens / CRI 80+ Vibrant *3000K only*..... - L21V
2700 lumens / CRI 80+ - L27S
2700 lumens / CRI 80+ Vibrant *3000K only*..... - L27V

Light Color
2700 K - 27K
3000 K - 30K
3500 K - 35K
4000 K - 40K

Dimming Notes:
• Fixture may be dimmed only by its integral dimmer.
• Fixture cannot be dimmed by a dimmer of any kind on the track circuit.
• Fixture may be damaged by use of an incandescent or ELV dimmer on the track circuit.
• Fixture will not be dimmed or damaged by use of a 0-10V dimmer on the track circuit.
• Combination with wireless Bluetooth controls available on [Bluetooth](#) model.

- **Luminaire may be configured to mount to any of eighteen 20-amp, 120-volt track systems** – or – to any of six 277-volt track systems. Luminaire is not suitable for use on 120-volt track systems dimmed by electronic low voltage (ELV) or incandescent dimming systems.
- **Whether operated on 120-volt or 277-volt track, luminaire may be dimmed to 10% by an integral rotary dimmer** located in the center of the housing top. Dimmer control shaft is spring loaded, permitting shaft to be expressed for adjustment and then depressed flush with the housing top to conserve dimmer setting. ‘Clock face’ markings permit registration of dimmer setting. (See illustrations below.)
- **Bluetooth controls and integral rotary dimmer can be specified together in the same fixture.** Users can dim by the protocol of their choice, switching between the two options as desired.
- **The optical assembly for IDM MidiMax LED W consists of an aluminum reflector and a 40° x 70° spread lens.** In addition, the assembly can accept one of a number of optional [Optical Accessories](#) including color filters and screens. Assembly is keyed relative to luminaire housing, to retain critical lens orientation.
- **A concealed swivel provides 385° horizontal rotation and vertical adjustment from 0° to 90°.** The swivel is permanently tensioned, allowing the luminaire to remain fixed at any aiming angle.
- **MidiMax luminaires have seamless aluminum housings** and cast aluminum tops for lightweight durability and heat dissipation.
- **For more information, [click here](#).**

OPTIONS *Specify by adding to the product code.*

a rocker type **on/off switch** on fixture top, for use on 120-volt track only - SW
white switch for white fixture, black for Silver or black fixture, specify which for custom color fixture

► For luminaires modified for 50A or 60A track systems, contact factory.

OPTICAL ACCESSORIES ▼ *See next page*

For the outlet box mounted version of this luminaire, see [IDM MidiMax LED W-OBM](#).

MODIFICATIONS AVAILABLE
Contact factory with quantity for pricing; orders may require shop drawing approval.
For modified stem lengths up to 72", add the following to the end of the product code: + number of inches.



DIMMER OPERATION



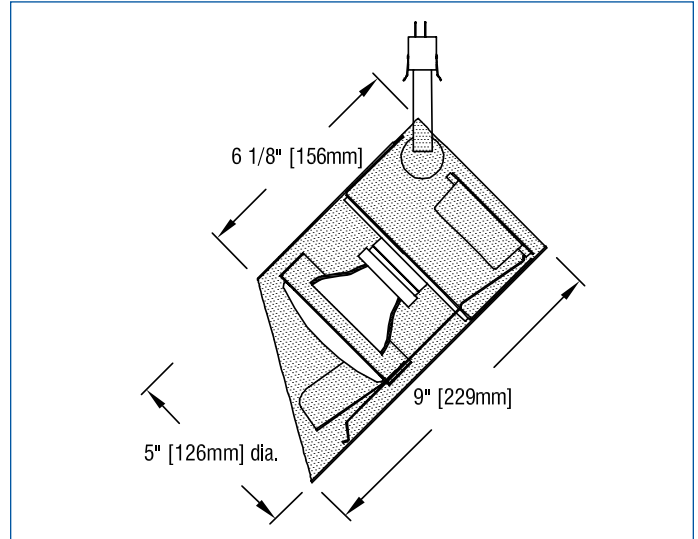
OPTICAL ACCESSORIES

Specify as separate line items.

All are 3 3/4" (95mm) dia. Filters are glass; screens are aluminum.

color filters

Daylight Blue	DAY/3.75
Surprise Pink	PNK/3.75
amber	AMB/3.75
blue	BLU/3.75
green	GRN/3.75
red	RED/3.75
33% light reduction screen	SCR33/3.75
50% light reduction screen	SCR50/3.75



APPLICATIONS

Luminaire is suitable for highlighting vertical surfaces in museums, galleries, showrooms, residences, offices and stores.

Luminaire is listed for mounting on Edison Price Lighting 120-volt or 277-volt track.

– see below for photometric reports –



PHOTOMETRIC REPORT (tested per IESNA LM-79-2008)

Data prorated from Verification Services Report No. 1161145. Original report furnished upon request.

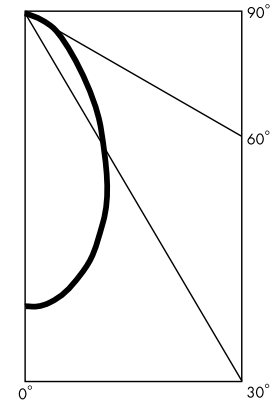
Luminaire track-mounted LED wallwasher with a 60° internal reflector, a 40° x 70° spread lens and a specular kicker reflector.
 Lamp Xicato LED Module, 2100 lumens, 3000K

WALLWASH INFORMATION

Distance From Ceiling (Feet)	3' From Wall; 3' O.C. (2100 lumens)		3' 6" From Wall; 3' 6" O.C. (2100 lumens)		4' From Wall; 4' O.C. (2700 lumens)	
	Below Fixture	Between Fixtures	Below Fixture	Between Fixtures	Below Fixture	Between Fixtures
1	18	16	15	13	11	10
2	30	26	22	19	17	15
3	34	32	27	24	21	19
4	31	31	26	26	22	21
5	27	26	23	23	21	21
6	22	21	20	20	19	19
7	18	17	17	16	17	16
8	14	14	14	13	14	14
9	11	11	11	11	12	12
10	9	9	9	9	11	10
11	7	7	7	7	9	9
12	6	6	6	6	8	8
13					7	7
14					6	6
15					6	5

This table lists initial illuminance values at the center of a row of at least 5 fixtures with no contribution from ceiling or floor reflectance. Fixtures were modeled with maximum candlepower at 10° to 15° above vertical.

CANDLEPOWER DISTRIBUTION



STANDARD DRIVER INFORMATION (UL Class 2, dry and damp location)

Voltage	120	277
Input Watts (2100A/2100/2700 lumens)	26/23/26	26/18/26
Input Current(A) (2100A/2100/2700 lumens)	.22/.19/.22	.09/.08/.09
Output Current (mA)	700	700
Min. Power Factor	0.90	0.90
Operating Temperature Range (F)	-13 to 122	-13 to 122

LIGHT OUTPUT MULTIPLIER

2100 lumens Artist LED module	2100 lumens & Vibrant LED module	2700 lumens & Vibrant LED module
1	1	1.26 (estimated)

LUMINAIRE LIGHT OUTPUT AND EFFICACY

LED Module Type	Luminaire Light Output	Luminaire Efficacy (lms/watt)	System Wattage
2100 Lumens Artist	1047*	40*	26
2100 Lumens standard & Vibrant	1047	47	23
2700 Lumens standard & Vibrant	1319*	50*	26

*estimated values