

Project

Type



Date

Product Code

Designer

MIDIMAX MOOD MASTER™ O

track mounted tunable LED cross-baffled accent light

MADE-TO-ORDER • MAY NOT BE RETURNED FOR CREDIT • MADE-TO-ORDER • MAY NOT BE RETURNED FOR CREDIT



MidiMax Mood Master O is a track mounted accent light equipped with a Lumetrix® Araya® CTM1C 22 mm Color Tuning LED module that produces 90+CRI white light (within 2-step MacAdam ellipse). LED module light output is 1250 lumens drawing 25 input watts maximum.

- Luminaire includes embedded Bluetooth radio permitting control via iOS app "Araya tunable color 2.0". Tunable parameters include:
 - on / off
 - CCT range of 1650K to 8000K
 - dimming 100% to 1% at constant CCT
 - hue (defines color, i.e. red, orange, yellow, green...white)
 - saturation (defines the intensity of the color chosen)
- "Araya tunable color 2.0" app is capable of controlling as many as eight MidiMax CTM within a 20' radius.
- Luminaire may be configured to mount to any of eighteen undimmed 20-amp, 120-volt track systems – or – to any of six undimmed 277-volt track systems.
- A matte black cross-baffle assembly controls surface brightness and reduces spill light. Lens orientation may be adjusted from below by rotating cross-baffles. The cross-baffle assembly is spring mounted but keyed relative to the fixture housing, to retain lens orientation once set.
- Beam spread is changed by removing the cross-baffle assembly, replacing one 'twist and lock' reflector with another, and re-inserting the cross-baffle assembly. Luminaire is ordered with a single reflector; one or both of the other reflectors may be ordered as accessories.
- A concealed swivel provides 385° horizontal rotation and vertical adjustment from 0° to 90°. The swivel is permanently tensioned, allowing the luminaire to remain fixed at any aiming angle.
- Luminaires accept one or two of a number of lenses. A complimentary beam smoother is included.
- Luminaires have seamless aluminum housings and cast aluminum tops for lightweight durability and heat dissipation.
- For more information, [click here](#).

READ THIS FIRST!

- This fixture can only be controlled by an iOS smart device with Bluetooth and the Araya tunable color 2.0 app. No other form of control is possible.
- Control is limited to
 - eight (8) fixtures within a 20' radius
 - on a circuit with no dimming device of any kind.
- This fixture **cannot** be controlled by DMX or 0-10V, or any other control protocol on SightLine or on any other Edison Price Lighting track.
- This fixture **cannot** be modified for control by DMX on any other manufacturer's track.

The OBM (outlet-box-mounted aka 'monopoint') model of this fixture is not subject to the limitations above.

PRODUCT CODE

For complete product code, list basic unit and select one item from each following box.

Basic Unit LX2-CTM1-OX

Track Configuration

120-volt track (e.g. SightLine) - 2C
277-volt track (e.g. HighLine) - HC

Beam Spread Reflector (specify one to ship with fixture)

20° spot - 20D
40° flood - 40D
60° wide flood - 60D

Finish

white paint finish - WH
black paint finish - BL
Industrial Silver paint finish - SI
custom color paint finish... include paint number or physical chip with order .. - CC

EXTRA REFLECTORS Specify as separate line items.

20° spot reflector CTMI-REF20
40° flood reflector CTMI-REF40
60° wide flood reflector CTMI-REF60

OPTICAL ACCESSORIES

Specify as separate line items.

All are 3 3/4" (95mm) dia. Lenses and filters are glass; screens are aluminum.

55° spread lens LENS/3.75
40° x 70° spread lens LENS/3.75-4070
prismatic lens (Solite) PLS/3.75
beam smoother included with fixture CLR/3.75

For the outlet box mounted version of this luminaire, see [MidiMax Mood Master O-OBM](#).



41-50 22ND STREET, LIC NY 11101 TEL 718.685.0700 FAX 718.786.8530 www.epl.com

©Copyright, Edison Price Lighting 2020

TF 11-137 1:20

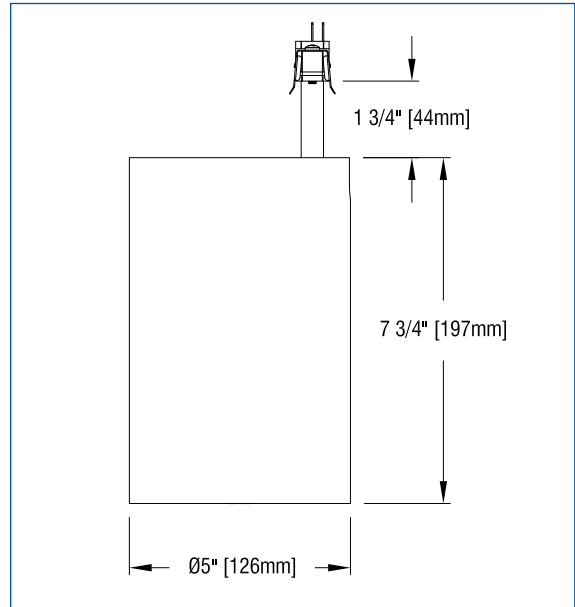
APPLICATIONS

Luminaire is listed for mounting on Edison Price Lighting 120-volt or 277-volt track.

MODIFICATIONS AVAILABLE

Contact factory with quantity for pricing; orders may require shop drawing approval.

For modified stem lengths up to 72", add the following to the end of the product code:
+ number of inches.



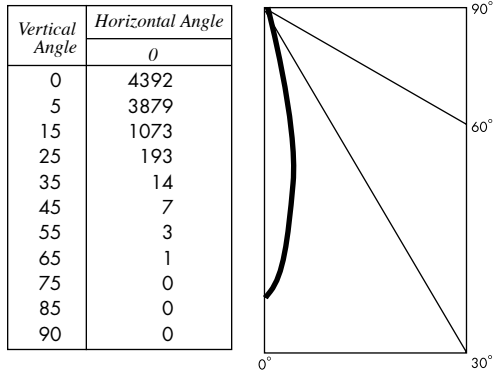
PHOTOMETRIC REPORT (tested per IESNA LM-79-2008)

Data prorated from Verification Services Report No. 182709. Original report furnished upon request.

Luminaire track-mounted LED accent light with a 20° reflector and black cross-baffle (NO LENS)

Lamp Lumenetix araya LED module CTM 119, 1650-8000K, 1250 lumens

CANDLEPOWER DISTRIBUTION



LUMINAIRE LIGHT OUTPUT AND EFFICACY

| LED Module Type | Luminaire Light Output | Luminaire Efficacy (lms/watt) | System Wattage |
|---|------------------------|-------------------------------|----------------|
| 1650K-8000K Color Tuning Range -1250 lumens | 788 | 28 | 28.5 |

DRIVER INFORMATION

| | | |
|---------------------------------|-----------|-----------|
| Voltage | 120 | 277 |
| Input Watts | 28.5 | 28.5 |
| Input Current (A) | .24 | .10 |
| Min. Power Factor | <0.9 | <0.9 |
| Operating Temperature Range (F) | -4 to 122 | -4 to 122 |