

Project

Type



Date

Product Code

Designer

# MIDIMAX MOOD MASTER™ O LH

track mounted tunable LED open-aperture accent light

MADE-TO-ORDER • MAY NOT BE RETURNED FOR CREDIT • MADE-TO-ORDER • MAY NOT BE RETURNED FOR CREDIT



MidiMax Mood Master O LH is a track mounted accent light equipped with a Lumenetix® Araya® CTM1C 22 mm Color Tuning LED module that produces 90+CRI white light (within 2-step MacAdam ellipse). LED module light output is 1250 lumens drawing 25 input watts maximum.

- Luminaire includes embedded Bluetooth radio permitting control via iOS app "Araya tunable color 2.0". Tunable parameters include:
  - on / off
  - CCT range of 1650K to 8000K
  - dimming 100% to 1% at constant CCT
  - hue (defines color, i.e. red, orange, yellow, green...white)
  - saturation (defines the intensity of the color chosen)
- "Araya tunable color 2.0" app is capable of controlling as many as eight MidiMax CTM within a 20' radius.
- Luminaire may be configured to mount to any of eighteen undimmed 20-amp, 120-volt track systems – or – to any of six undimmed 277-volt track systems.
- Beam spread is changed by removing the spring-mounted lens holder assembly, replacing one 'twist and lock' reflector with another, and re-inserting the lens holder assembly. Luminaire is ordered with a single reflector; one or both of the other reflectors may be ordered as accessories.
- A concealed swivel provides 385° horizontal rotation and vertical adjustment from 0° to 90°. The swivel is permanently tensioned, allowing the luminaire to remain fixed at any aiming angle.
- Luminaires accept one or two of a number of lenses. A complimentary beam smoother is included.
- Luminaires have seamless aluminum housings and cast aluminum tops for lightweight durability and heat dissipation.
- For more information, [click here](#).

## READ THIS FIRST!

- This fixture can only be controlled by an iOS smart device with Bluetooth and the Araya tunable color 2.0 app. No other form of control is possible.
- Control is limited to
  - eight (8) fixtures within a 20' radius
  - on a circuit with no dimming device of any kind.
- This fixture **cannot** be controlled by DMX or 0-10V, or any other control protocol on **SightLine** or on any other Edison Price Lighting track.
- This fixture **cannot** be modified for control by DMX on any other manufacturer's track.

The **OBM** (outlet-box-mounted aka 'monopoint') model of this fixture is not subject to the limitations above.

## PRODUCT CODE

For complete product code, list basic unit and select one item from each following box.

Basic Unit .....LX2-CTM1-OH

### Track Configuration

120-volt track (e.g. SightLine) ..... 2C  
277-volt track (e.g. HighLine) ..... HC

### Beam Spread Reflector (specify one to ship with fixture)

20° spot ..... - 20D  
40° flood ..... - 40D  
60° wide flood ..... - 60D

### Finish

white paint finish ..... - WH  
black paint finish ..... - BL  
Industrial Silver paint finish ..... - SI  
custom color paint finish... include paint number or physical chip with order ... - CC

## EXTRA REFLECTORS *Specify as separate line items.*

20° spot reflector ..... CTMI-REF20  
40° flood reflector..... CTMI-REF40  
60° wide flood reflector ..... CTMI-REF60

## OPTICAL ACCESSORIES

*Specify as separate line items.*

*All are 3 3/4" (95mm) dia. Lenses and filters are glass; screens are aluminum.*

55° spread lens .....LENS/3.75  
40° x 70° spread lens .....LENS/3.75-4070  
prismatic lens (Solite) ..... PLS/3.75  
beam smoother included with fixture ..... CLR/3.75

For the outlet box mounted version of this luminaire, see [MidiMax Mood Master O LH-OBM](#).



41-50 22<sup>ND</sup> STREET, LIC NY 11101 TEL 718.685.0700 FAX 718.786.8530 www.epl.com

©Copyright, Edison Price Lighting 2020

TF 11-138 1:20

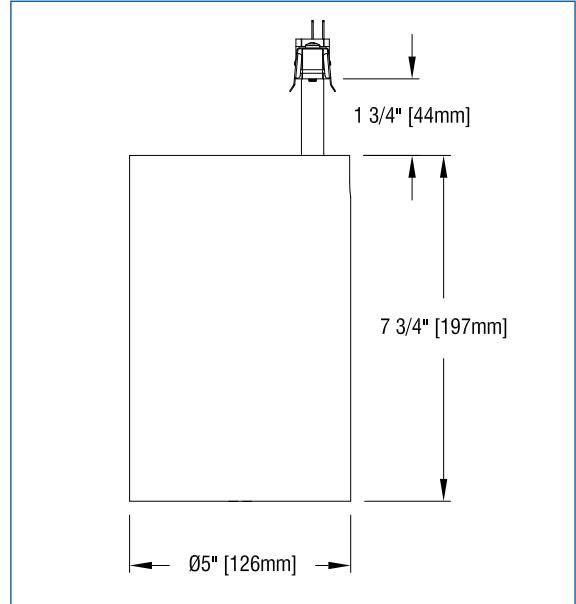
## APPLICATIONS

Luminaire is listed for mounting on Edison Price Lighting 120-volt or 277-volt track.

### MODIFICATIONS AVAILABLE

Contact factory with quantity for pricing; orders may require shop drawing approval.

For modified stem lengths up to 72", add the following to the end of the product code:  
+ number of inches.



## PHOTOMETRIC REPORT (tested per IESNA LM-79-2008)

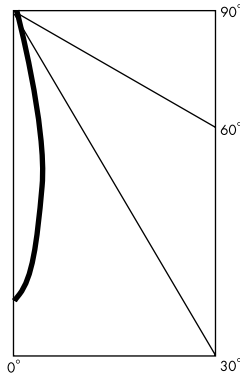
Verification Services Report No. 331261. Original report furnished upon request.

Luminaire ..... track-mounted LED accent light with a 20° reflector and black lens holder (NO LENS)

Lamp ..... Lumenetix araya LED module CTM 119, 1650-8000K, 1250 lumens

## CANDLEPOWER DISTRIBUTION

Vertical Angle	Horizontal Angle
	0
0	4648
5	3997
15	1473
25	504
35	12
45	0
55	0
65	0
75	0
85	0
90	0



## LUMINAIRE LIGHT OUTPUT AND EFFICACY

LED Module Type	Luminaire Light Output	Luminaire Efficacy (lm/watt)	System Wattage
1650K-8000K Color Tuning Range -1250 lumens	1056	37	28.5

## DRIVER INFORMATION

Voltage	120	277
Input Watts	28.5	28.5
Input Current (A)	.24	.10
Min. Power Factor	<0.9	<0.9
Operating Temperature Range (F)	-4 to 122	-4 to 122