

Project

Type



Date

Product Code

Designer

# MIDIMAX MOOD MASTER™ O LH

track mounted tunable LED open-aperture accent light

MADE-TO-ORDER • MAY NOT BE RETURNED FOR CREDIT • MADE-TO-ORDER • MAY NOT BE RETURNED FOR CREDIT



MidiMax Mood Master O LH is a track mounted accent light equipped with a Lumenetix® Araya® CTM1C 22 mm Color Tuning LED module that produces 90+CRI white light (within 2-step MacAdam ellipse). LED module light output is 1250 lumens drawing 25 input watts maximum.

- Luminaire includes embedded Bluetooth radio permitting control via iOS app "Araya tunable color 2.0". Tunable parameters include:
  - on / off
  - CCT range of 1650K to 8000K
  - dimming 100% to 1% at constant CCT
  - hue (defines color, i.e. red, orange, yellow, green...white)
  - saturation (defines the intensity of the color chosen)
- "Araya tunable color 2.0" app is capable of controlling as many as eight MidiMax CTM within a 20' radius.
- Luminaire may be configured to mount to any of eighteen undimmed 20-amp, 120-volt track systems – or – to any of six undimmed 277-volt track systems.
- Beam spread is changed by removing the spring-mounted lens holder assembly, replacing one 'twist and lock' reflector with another, and re-inserting the lens holder assembly. Luminaire is ordered with a single reflector; one or both of the other reflectors may be ordered as accessories.
- A concealed swivel provides 385° horizontal rotation and vertical adjustment from 0° to 90°. The swivel is permanently tensioned, allowing the luminaire to remain fixed at any aiming angle.
- Luminaires accept one or two of a number of lenses. A complimentary beam smoother is included.
- Luminaires have seamless aluminum housings and cast aluminum tops for lightweight durability and heat dissipation.
- For more information, [click here](#).

## READ THIS FIRST!

- This fixture can only be controlled by an iOS smart device with Bluetooth and the Araya tunable color 2.0 app. No other form of control is possible.
- Control is limited to
  - eight (8) fixtures within a 20' radius
  - on a circuit with no dimming device of any kind.
- This fixture **cannot** be controlled by DMX or 0-10V, or any other control protocol on **SightLine** or on any other Edison Price Lighting track.
- This fixture **cannot** be modified for control by DMX on any other manufacturer's track.

The **OBM** (outlet-box-mounted aka 'monopoint') model of this fixture is not subject to the limitations above.

## PRODUCT CODE

For complete product code, list basic unit and select one item from each following box.

Basic Unit .....LX-CTM1-OH

### Track Configuration

120-volt track (e.g. SightLine) ..... 2C  
277-volt track (e.g. HighLine) ..... HC

### Beam Spread Reflector (specify one to ship with fixture)

20° spot ..... 20D  
40° flood ..... 40D  
60° wide flood ..... 60D

### Finish

white paint finish ..... WH  
black paint finish ..... BL  
Industrial Silver paint finish ..... SI  
custom color paint finish... include paint number or physical chip with order ... CC

## EXTRA REFLECTORS *Specify as separate line items.*

20° spot reflector ..... CTMI-REF20  
40° flood reflector..... CTMI-REF40  
60° wide flood reflector ..... CTMI-REF60

## OPTICAL ACCESSORIES

*Specify as separate line items.*

*All are 3 3/4" (95mm) dia. Lenses and filters are glass; screens are aluminum.*

55° spread lens .....LENS/3.75  
40° x 70° spread lens .....LENS/3.75-4070  
prismatic lens (Solite) ..... PLS/3.75  
beam smoother included with fixture ..... CLR/3.75

For the outlet box mounted version of this luminaire, see [MidiMax Mood Master O LH-OBM](#).



41-50 22<sup>ND</sup> STREET, LIC NY 11101 TEL 718.685.0700 FAX 718.786.8530 www.epl.com

©Copyright, Edison Price Lighting 2019

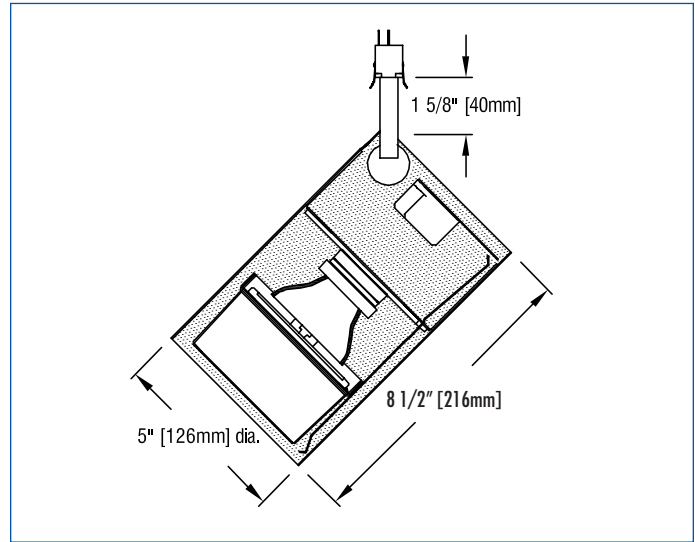
TF 11-138 9:19

## APPLICATIONS

Luminaire is listed for mounting on Edison Price Lighting 120-volt or 277-volt track.

### MODIFICATIONS AVAILABLE

Contact factory with quantity for pricing; orders may require shop drawing approval.  
For modified stem lengths up to 72", add the following to the end of the product code:  
+ number of inches.

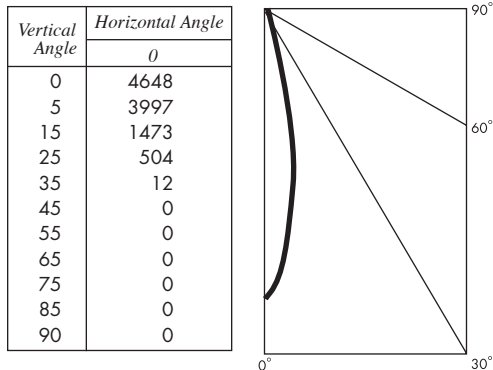


## PHOTOMETRIC REPORT (tested per IESNA LM-79-2008)

Verification Services Report No. 331261. Original report furnished upon request.

Luminaire ..... track-mounted LED accent light with a 20° reflector and black lens holder (NO LENS)  
Lamp ..... Lumenetix araya LED module CTM 119, 1650-8000K, 1250 lumens

## CANDLEPOWER DISTRIBUTION



## LUMINAIRE LIGHT OUTPUT AND EFFICACY

LED Module Type	Luminaire Light Output	Luminaire Efficacy (lms/watt)	System Wattage
1650K-8000K Color Tuning Range -1250 lumens	1056	37	28.5

## DRIVER INFORMATION

Voltage	120	277
Input Watts	28.5	28.5
Input Current (A)	.24	.10
Min. Power Factor	<0.9	<0.9
Operating Temperature Range (F)	-4 to 122	-4 to 122