

Project

Type



MADE IN USA

[Click Here](#)

Date

Product Code

Designer

MIDIMAX MOOD MASTER™ W

track mounted tunable LED wallwasher

MADE-TO-ORDER • MAY NOT BE RETURNED FOR CREDIT • MADE-TO-ORDER • MAY NOT BE RETURNED FOR CREDIT



MidiMax Mood Master W is a track mounted wallwasher equipped with a Lumenetix® Araya® CTM1C 22 mm Color Tuning LED module that produces 90+CRI white light (within 2-step MacAdam ellipse). LED module light output is 1250 lumens drawing 25 input watts maximum.

- Luminaire includes embedded Bluetooth radio permitting control via iOS app "Araya tunable color 2.0". Tunable parameters include:
 - on / off
 - CCT range of 1650K to 8000K
 - dimming 100% to 1% at constant CCT
 - hue (defines color, i.e. red, orange, yellow, green...white)
 - saturation (defines the intensity of the color chosen)
- "Araya tunable color 2.0" app is capable of controlling as many as eight MidiMax CTM within a 20' radius.
- Luminaire may be configured to mount to any of eighteen undimmed 20-amp, 120-volt track systems – or – to any of six undimmed 277-volt track systems.
- The optical assembly for MidiMax LMT W consists of an aluminum reflector and a 40° x 70° spread lens. Assembly is keyed relative to luminaire housing, to retain critical lens orientation.
- A concealed swivel provides 385° horizontal rotation and vertical adjustment from 0° to 90°. The swivel is permanently tensioned, allowing the luminaire to remain fixed at any aiming angle.
- Luminaires have seamless aluminum housings and cast aluminum tops for lightweight durability and heat dissipation.
- For more information, [click here](#).

APPLICATIONS

Luminaire is listed for mounting on Edison Price Lighting 120-volt or 277-volt track.

MODIFICATIONS AVAILABLE

Contact factory with quantity for pricing; orders may require shop drawing approval.

For modified stem lengths up to 72", add the following to the end of the product code: + number of inches.

READ THIS FIRST!

- This fixture can only be controlled by an iOS smart device with Bluetooth and the Araya tunable color 2.0 app. No other form of control is possible.
- Control is limited to
 - eight (8) fixtures within a 20' radius
 - on a circuit with no dimming device of any kind.
- This fixture cannot be controlled by DMX or 0-10V, or any other control protocol on **SightLine** or on any other Edison Price Lighting track.
- This fixture cannot be modified for control by DMX on any other manufacturer's track.

The OBM (outlet-box-mounted aka 'monopoint') model of this fixture is not subject to the limitations above.

PRODUCT CODE

For complete product code, list basic unit and select one item from each following box.

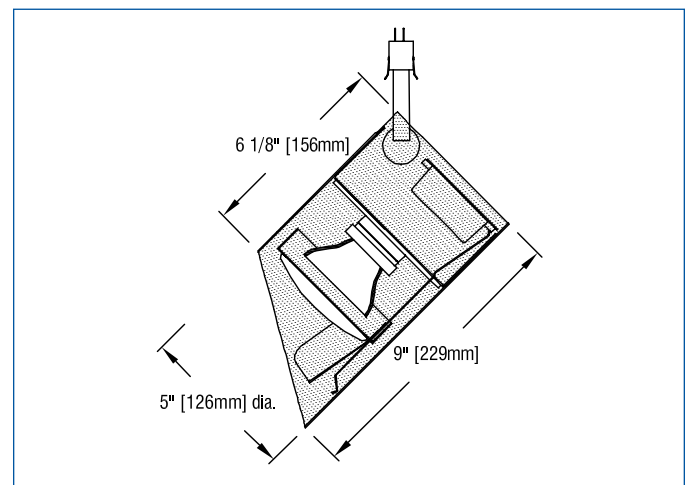
Basic Unit LX-CTM1-W

Track Configuration

120-volt track (e.g. SightLine) - 2C
277-volt track (e.g. HighLine) - HC

Finish

white paint finish - WH
black paint finish - BL
Industrial Silver paint finish - SI
custom color paint finish... include paint number or physical chip with order ... - CC



For the outlet box mounted version of this luminaire, see [MidiMax Mood Master W-OBM](#).



41-50 22ND STREET, LIC NY 11101 TEL 718.685.0700 FAX 718.786.8530 www.epl.com

©Copyright, Edison Price Lighting 2019

TF 11-139 9:19

PHOTOMETRIC REPORT (tested per IESNA LM-79-2008)

Data prorated from Verification Services Report No. 182715. Original report furnished upon request.

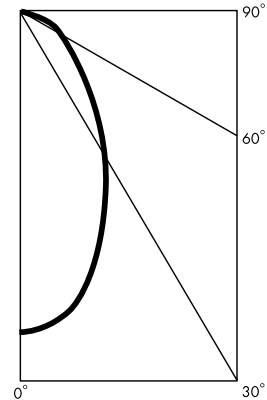
Luminaire track-mounted LED wallwasher with a 60° internal reflector, a 40° x 70° spread lens and a specular hammer tone kicker reflector.
 Lamp Lumenetix araya LED module CTM 119, 1650-8000K, 1250 lumens

WALLWASH INFORMATION

| Distance From Ceiling (Feet) | 2' 6" From Wall; 2' 6" O.C. | | 3' From Wall; 3' O.C. | | 3' 6" From Wall; 3' 6" O.C. | |
|------------------------------|-----------------------------|------------------|-----------------------|------------------|-----------------------------|------------------|
| | Below Fixture | Between Fixtures | Below Fixture | Between Fixtures | Below Fixture | Between Fixtures |
| 1 | 28 | 25 | 18 | 16 | 13 | 11 |
| 2 | 40 | 36 | 25 | 23 | 17 | 16 |
| 3 | 40 | 40 | 28 | 28 | 21 | 19 |
| 4 | 33 | 33 | 26 | 26 | 20 | 20 |
| 5 | 26 | 25 | 22 | 22 | 18 | 18 |
| 6 | 19 | 19 | 18 | 17 | 16 | 15 |
| 7 | 14 | 14 | 14 | 14 | 13 | 13 |
| 8 | 11 | 10 | 11 | 11 | 10 | 10 |
| 9 | 8 | 8 | 8 | 8 | 8 | 8 |
| 10 | 6 | 6 | 7 | 7 | 7 | 7 |

This table lists initial illuminance values at the center of a row of at least 5 fixtures with no contribution from ceiling or floor reflectance. Fixtures were modeled with maximum candlepower at 10° to 15° above vertical.

CANDLEPOWER DISTRIBUTION



DRIVER INFORMATION

| | | |
|---------------------------------|-----------|-----------|
| Voltage | 120 | 277 |
| Input Watts | 28.5 | 28.5 |
| Input Current (A) | .24 | .10 |
| Min. Power Factor | <0.9 | <0.9 |
| Operating Temperature Range (F) | -4 to 122 | -4 to 122 |

LUMINAIRE LIGHT OUTPUT AND EFFICACY (AT 2800K)

| LED Module Type | Luminaire Light Output | Luminaire Efficacy (lms/watt) | System Wattage |
|---|------------------------|-------------------------------|----------------|
| 1650K-8000K Color Tuning Range -1250 lumens | 821 | 29 | 28.5 |