

Project

Type



Date Product Code

Designer

# IDM MAXIMA® XTM O

track mounted LED accent light with integral dimmer



IDM Maxima XTM O with Cross Baffle (OX)

IDM Maxima XTM O with Open Aperture (OH)

- Luminaire may be configured to mount to any of eighteen 20-amp, 120-volt [track systems](#) – or – to any of six 277-volt track systems. .
- Whether operated on 120-volt or 277-volt track, luminaire may be dimmed to 10% by an integral rotary dimmer located in the center of the housing top. Dimmer control shaft is spring loaded, permitting shaft to be expressed for adjustment and then depressed flush with the housing top to conserve dimmer setting. ‘Clock face’ markings permit registration of dimmer setting. (See illustrations below.)
- Fixture function can be changed with your choice of Aperture Assembly and your choice of ‘twist and lock’ [reflector](#).
- Aperture Assembly / Reflector choices
  - Cross Baffle (OX) for enhanced glare control ; for use with interchangeable 20°, 40° and 60° reflectors.
  - Open Aperture (OH) for maximum efficacy; for use with interchangeable 20°, 40° and 60° reflectors.
 Fixture is ordered with a single Aperture Assembly and a single reflector. Additional aperture assemblies and reflectors may be ordered as accessories.
- **Optical Accessories:** Both OX and OH Aperture Assemblies accept one or two of a number of spread lenses or color filters. With the OX assembly lens orientation may be adjusted by rotating the cross baffle. A complimentary beam smoother is included with either assembly.
- A concealed swivel provides 385° horizontal rotation and vertical adjustment from 0° to 90°. The swivel is permanently tensioned, allowing the luminaire to remain fixed at any aiming angle.
- Maxima luminaires have seamless aluminum housings and cast aluminum tops for lightweight durability and heat dissipation.
- For more information, [click here](#).

For the outlet box mounted version of this luminaire, see **IDM Maxima XTM O-OBM**.

IDM Maxima LED O is a track mounted accent light powered by one of a number of Xicato LED modules, all of which are distinguished by extraordinary color consistency (within 1x2-step MacAdam ellipse). See tables on the reverse for wattages and efficacies.

## PRODUCT CODE

For complete product code, list basic unit and select one item from each following box.

Basic Unit .....	IDM-MX-XTM
<b>Track Configuration</b>	
120-volt track (e.g. SightLine) .....	2C
277-volt track (e.g. HighLine) .....	switch not available ..... - HC
<b>Aperture Assembly</b>	
Cross Baffle .....	- OX
Open Aperture .....	- OH
<b>Beam Spread Reflector (specify one to ship with fixture)</b>	
28° narrow flood.....	- 28D
43° flood.....	- 43D
<b>Finish</b>	
white paint finish .....	- WH
black paint finish .....	- BL
Industrial Silver paint finish .....	- SI
custom color paint finish... include paint number or physical chip with order ...	- CC
<b>Light Source Output</b>	
2100 lumens / CRI 80+ .....	- L21S
2100 lumens / CRI 80+ Vibrant .....3000K only.....	- L21V
2140 lumens / CRI 98 Artist.....	- L21A
2700 lumens / CRI 80+ .....	- L27S
2700 lumens / CRI 80+ Vibrant .....3000K only.....	- L27V
<b>Light Color</b>	
2700 K .....	- 27K
3000 K .....	- 30K
3500 K .....	- 35K
4000 K .....	- 40K

### Dimming Notes:

- Fixture may be dimmed only by its integral dimmer.
- Fixture cannot be dimmed by a dimmer of any kind on the track circuit.
- Fixture may be damaged by use of an incandescent or ELV dimmer on the track circuit.
- Fixture will not be dimmed or damaged by use of a 0-10V dimmer on the track circuit.

## OPTIONS *Specify by adding to the product code.*

a rocker type **on/off switch** on fixture top, for use on 120-volt track only..... - SW  
white switch for white fixture, black for Silver or black fixture, specify which for custom color fixture

## EXTRA APERTURES & REFLECTORS

Specify as separate line items.

<b>Aperture Assembly</b>	
Cross Baffle .....	RK-MX-OX
Open Aperture .....	RK-MX-OH
<b>Reflector</b>	
28° narrow flood .....	RK-MX-XTM-REF-D28D
43° flood.....	RK-MX-XTM-REF-D43D

## OPTICAL ACCESSORIES ▼ See next page



41-50 22<sup>ND</sup> STREET, LIC NY 11101 TEL 718.685.0700 FAX 718.786.8530 www.epl.com

©Copyright, Edison Price Lighting 2019  
MidiMax is a pending trademark of Edison Price Lighting.

TF 11-154 7:19

## DIMMER OPERATION

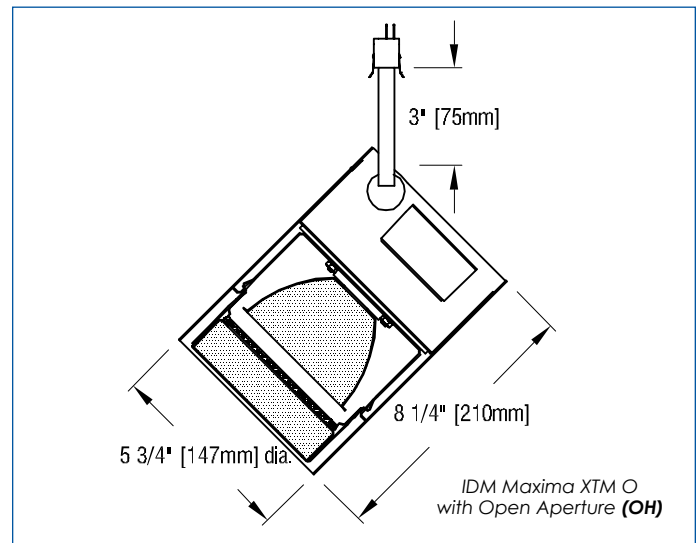
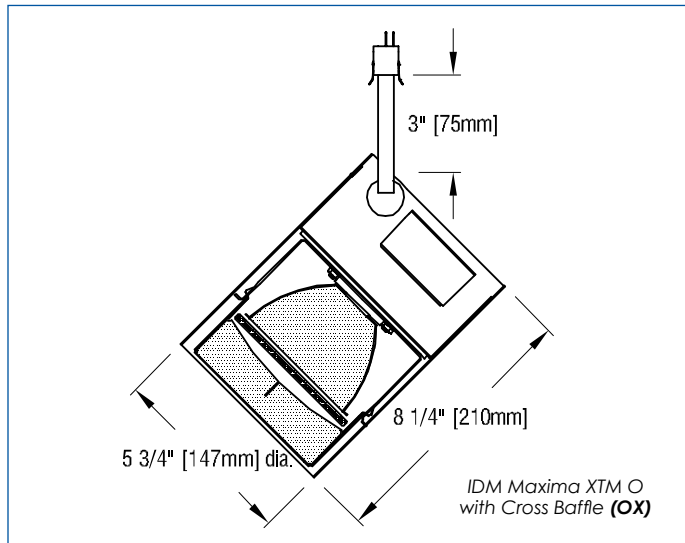


## OPTICAL ACCESSORIES

Specify as separate line items.

All are 4 3/4" (121mm) dia. Lenses and filters are glass; screens are aluminum.

<b>55° spread lens</b> .....	LENS/4.75
<b>40° x 70° spread lens</b> .....	LENS/4.75-4070
<b>prismatic lens (Solite)</b> .....	PLS/4.75
<b>beam smoother included with fixture</b> .....	CLR/4.75
<b>color filters</b>	
Daylight Blue .....	DAY/4.75
Surprise Pink .....	PNK/4.75
amber .....	AMB/4.75
blue .....	BLU/4.75
green .....	GRN/4.75
red .....	RED/4.75
<b>33% light reduction screen</b> .....	SCR33/4.75
<b>50% light reduction screen</b> .....	SCR50/4.75



## APPLICATIONS

Luminaire is suitable for highlighting vertical or horizontal surfaces, as well as objects in museums, galleries, showrooms, residences, offices and stores.

Luminaire is listed for mounting on Edison Price Lighting 120-volt or 277-volt track.

– see below for photometric reports –



## PHOTOMETRIC REPORT with 28° reflector (tested per IESNA LM-79-2008)



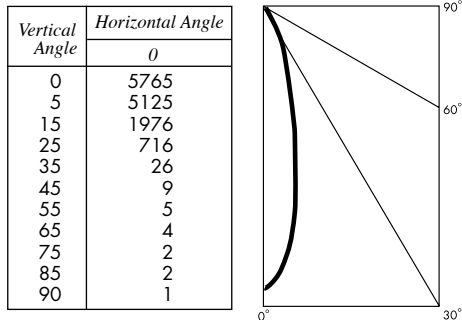
Ⓛ Verification Services Report No. 1155761. Original test report furnished upon request.

Luminaire ..... track-mounted LED accent light with a 28° reflector and black cross-baffle (NO LENS)

Lamp ..... Xicato XTM LED Module, 2700 lumens, 3000K

Lamp Life ..... rated 50,000 hours based on L70/B50 criteria. LM80 report by LED manufacturer furnished upon request

### CANDLEPOWER DISTRIBUTION (Candela)



### LUMINAIRE LIGHT OUTPUT AND EFFICACY

LED Module Type	Luminaire Light Output	Luminaire Efficacy (lms/watt)	System Wattage
2140 Lumens Artist	1064*	41*	26
2100 Lumens standard & Vibrant	1064*	46*	23
2700 Lumens standard & Vibrant	1341*	52*	26

\*estimated values

## PHOTOMETRIC REPORT with 43° reflector (tested per IESNA LM-79-2008)

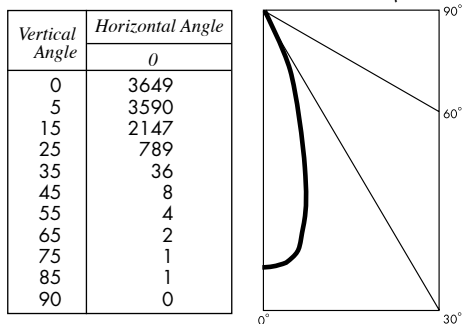


Ⓛ Verification Services Report No. 1155762. Original test report furnished upon request.

Luminaire ..... track-mounted LED accent light with a 43° reflector and black cross-baffle (NO LENS)

Lamp ..... Xicato XTM LED Module, 2700 lumens, 3000K Lamp Life ..... see above

### CANDLEPOWER DISTRIBUTION (Candela)



### LUMINAIRE LIGHT OUTPUT AND EFFICACY

LED Module Type	Luminaire Light Output	Luminaire Efficacy (lms/watt)	System Wattage
2140 Lumens Artist	1022*	39*	26
2100 Lumens standard & Vibrant	1022*	44*	23
2700 Lumens standard & Vibrant	1289*	50*	26

\*estimated values

### STANDARD DRIVER INFORMATION (UL Class 2, dry and damp location)

Voltage	120	277
Input Watts (2140A/2100/2700 lumens)	26/23/26	26/18/26
Input Current(A) (2140A/2100/2700 lumens)	.22/.19/.22	.09/.08/.09
Output Current (mA)	700	700
Min. Power Factor	0.90	0.90
Operating Temperature Range (F)	-13 to 122	-13 to 122

### LIGHT OUTPUT MULTIPLIER

LED Module Type	Light Output Multiplier
2140 Lumens Artist	.79*
2100 Lumens standard & Vibrant	.79*
2700 Lumens standard & Vibrant	1

\*estimated values

## PHOTOMETRIC REPORT with 28° reflector (tested per IESNA LM-79-2008)



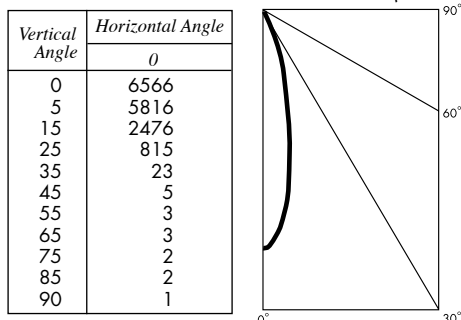
Ⓛ Verification Services Report No. 1155768. Original test report furnished upon request.

Luminaire ..... track-mounted LED accent light with a 28° reflector and black lens holder (NO LENS)

Lamp ..... Xicato XTM LED Module, 2700 lumens, 3000K

Lamp Life ..... rated 50.000 hours based on L70/B50 criteria. LM80 report by LED manufacturer furnished upon request

### CANDLEPOWER DISTRIBUTION (Candela)



### LUMINAIRE LIGHT OUTPUT AND EFFICACY

LED Module Type	Luminaire Light Output	Luminaire Efficacy (lms/watt)	System Wattage
2140 Lumens Artist	1246*	48*	26
2100 Lumens standard & Vibrant	1246*	54*	23
2700 Lumens standard & Vibrant	1571*	60*	26

\*estimated values

## PHOTOMETRIC REPORT with 43° reflector (tested per IESNA LM-79-2008)



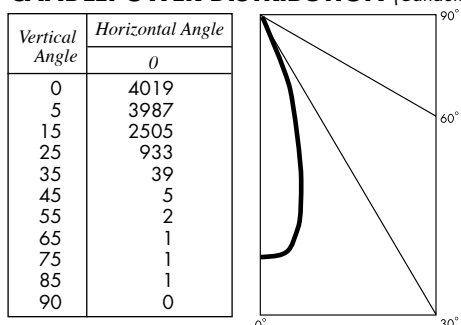
Ⓛ Verification Services Report No. 1155767. Original test report furnished upon request.

Luminaire ..... track-mounted LED accent light with a 43° reflector and black lens holder (NO LENS)

Lamp ..... Xicato XTM LED Module, 2700 lumens, 3000K

Lamp Life ..... see above

### CANDLEPOWER DISTRIBUTION (Candela)



### LUMINAIRE LIGHT OUTPUT AND EFFICACY

LED Module Type	Luminaire Light Output	Luminaire Efficacy (lms/watt)	System Wattage
2140 Lumens Artist	1180*	45*	26
2100 Lumens standard & Vibrant	1180*	51*	23
2700 Lumens standard & Vibrant	1487*	57*	26

\*estimated values

### STANDARD DRIVER INFORMATION (UL Class 2, dry and damp location)

Voltage	120	277
Input Watts (2140A/2100/2700 lumens)	26/23/26	26/18/26
Input Current(A) (2140A/2100/2700 lumens)	.22/.19/.22	.09/.08/.09
Output Current (mA)	700	700
Min. Power Factor	0.90	0.90
Operating Temperature Range (F)	-13 to 122	-13 to 122

### LIGHT OUTPUT MULTIPLIER

LED Module Type	Light Output Multiplier
2140 Lumens Artist	.79*
2100 Lumens standard & Vibrant	.79*
2700 Lumens standard & Vibrant	1

\*estimated values