

Project

Type



Date

Product Code

Designer

# IDM MAXIMA™ CZS NSP

track mounted LED spotlight with integral dimmer



IDM Maxima CZS NSP with Ring Baffle (OG)

IDM Maxima CZS NSP with Open Aperture (OH)



aperture view



aperture view

- Luminaire may be configured to mount to any of eighteen 20-amp, 120-volt [track systems](#) – or – to any of six 277-volt track systems.
- Whether operated on 120-volt or 277-volt track, luminaire may be dimmed to 10% by an integral rotary dimmer located in the center of the housing top. Dimmer control shaft is spring loaded, permitting shaft to be expressed for adjustment and then depressed flush with the housing top to conserve dimmer setting. ‘Clock face’ markings permit registration of dimmer setting. (See illustrations below.)
- Fixture appearance and performance can be changed with your choice of Aperture Assembly.
- Aperture Assembly choices
  - Ring Baffle with lens clips (OG) for enhanced glare control; clips accept one or two [Optical Accessories](#) including spread lenses, filters and screens.
  - Open Aperture (OH) for maximum efficacy; concealed lens holder accepts one or two [Optical Accessories](#).
- Fixture is ordered with a single aperture assembly; an additional aperture assembly may be ordered as an accessory.
- A concealed swivel provides 385° horizontal rotation and vertical adjustment from 0° to 90°. The swivel is permanently tensioned, allowing the luminaire to remain fixed at any aiming angle.
- Maxima luminaires have seamless aluminum housings and cast aluminum tops for lightweight durability and heat dissipation.
- For more information, [click here](#).

For the outlet box mounted version of this luminaire, see [IDM Maxima CZS NSP-OBM](#).

### MODIFICATIONS AVAILABLE

Contact factory with quantity for pricing; orders may require shop drawing approval. For modified stem lengths up to 72", add the following to the end of the product code: + number of inches.

IDM Maxima CZS NSP is a track mounted 9° spotlight powered by Citizen chip-on-board LED modules providing either a CRI of 97 within 2-step Mac-Adam ellipses or a CRI of 80 within 3-step MacAdam ellipses. See tables below for wattages and efficacies.

## PRODUCT CODE

For complete product code, list basic unit and select one item from each following box.

Basic Unit .....	IDM-MX-CZS2-9D
<b>Track Configuration</b>	
120-volt track (e.g. SightLine) .....	2C
277-volt track (e.g. HighLine) .....	no switch; not dimmable - HC
<b>Aperture Assembly</b>	
Ring Baffle with Optical Accessory clips .....	OG
Open Aperture .....	OH
<b>Finish</b>	
white paint finish .....	WH
black paint finish .....	BL
Industrial Silver paint finish .....	SI
custom color paint finish... include paint number or physical chip with order ..	CC

<b>Light Source Output (Lumens)</b>	
2800 lumens / 97 CRI .....	2700K & 3000K only - L28A
3600 lumens / 80 CRI .....	L36S

<b>Light Color</b>	
2700 K .....	27K
3000 K .....	30K
3500 K .....	not available with all Light Outputs (see above) - 35K
4000 K .....	not available with all Light Outputs (see above) - 40K

<b>Dimming Notes:</b>	
• Fixture may be dimmed only by its integral dimmer.	
• Fixture cannot be dimmed by a dimmer of any kind on the track circuit.	
• Fixture may be damaged by use of an incandescent or ELV dimmer on the track circuit.	
• Fixture will not be dimmed or damaged by use of a 0-10V dimmer on the track circuit.	
• Combination with wireless Bluetooth controls available as modification.	

## OPTIONS *Specify by adding to the product code.*

a rocker type on/off switch on fixture top, for use on 120-volt track only .....	SW
<i>white switch for white fixture, black for Silver or black fixture, specify which for custom color fixture</i>	

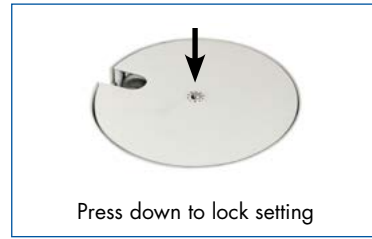
## EXTRA APERTURES *Specify as separate line items.*

<b>Aperture Assembly</b>	
Ring Baffle with Optical Accessory clips .....	RK-MX-VNSP-OG
Open Aperture .....	RK-LX-OH

## OPTICAL ACCESSORIES ▼ *See next page*



## DIMMER OPERATION

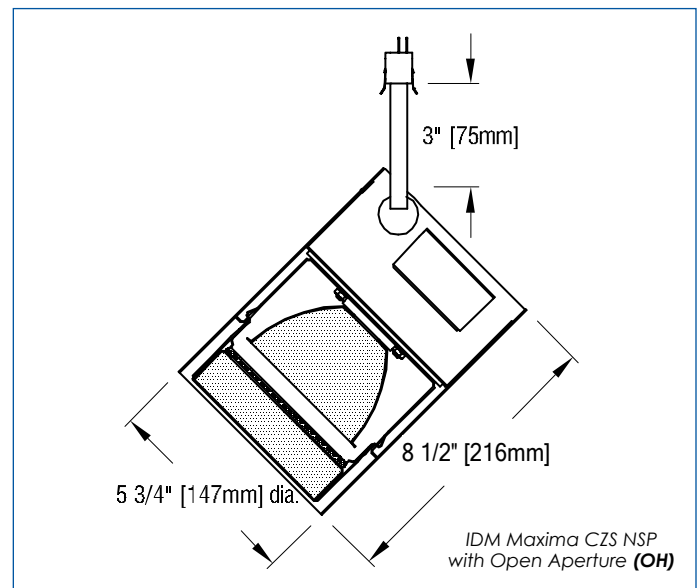
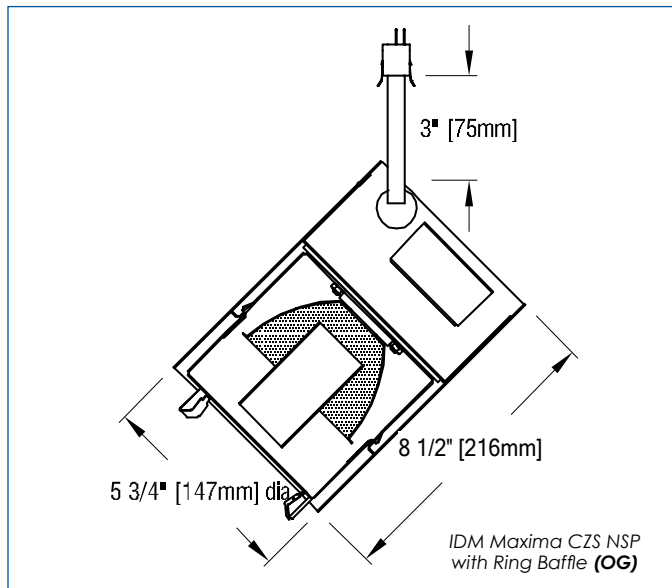


## OPTICAL ACCESSORIES

Specify as separate items

All are 4 3/4" (121mm) diameter. Lenses and filters are glass; screens are aluminum.

<b>30° spread lens</b> .....	LENS/4.75-30
<b>20° x 55° spread lens</b> .....	LENS/4.75
<b>70° spread lens</b> .....	LENS/4.75-70
<b>prismatic lens (Solite)</b> .....	PLS/4.75
<b>40° x 70° spread lens</b> .....	LENS/4.75-4070
<b>beam smoother</b> .....	CLR/4.75
<b>color filters</b>	
Daylight Blue .....	DAY/4.75
Surprise Pink .....	PNK/4.75
amber .....	AMB/4.75
blue .....	BLU/4.75
green .....	GRN/4.75
red .....	RED/4.75
<b>33% light reduction screen</b> .....	SCR33/4.75
<b>50% light reduction screen</b> .....	SCR50/4.75



## APPLICATIONS

Luminaire is suitable for highlighting vertical or horizontal surfaces, as well as objects in museums, galleries, showrooms, residences, offices and stores.

Luminaire is listed for mounting on Edison Price Lighting 120-volt or 277-volt track.

**Fixture Spacing Requirements** The track adapter of this fixture is 7 1/4" long. For this reason 1) it cannot be track-mounted closer than 7 1/2" on center and 2) it cannot be used with 2 of our 7 Unicep single-fixture track units.

## PHOTOMETRIC REPORT with 9° reflector (tested per IESNA LM-79-2008)

Prorated from Verification Services Report No. 12186406.02. Original test report furnished upon request.

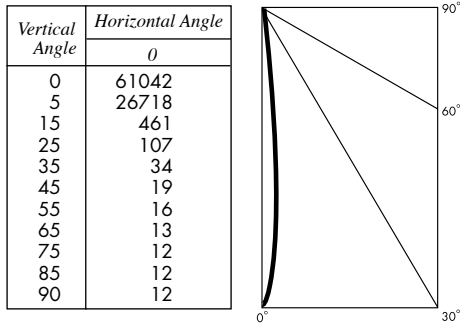
Luminaire ..... track-mounted LED accent light with a 9° reflector and black ring-baffle (NO LENS)

Lamp ..... Citizen LED Module, 4000 lumens, 3000K

Lamp Life ..... rated 50.000 hours based on L70/B50 criteria. LM80 report by LED manufacturer furnished upon request



### CANDLEPOWER DISTRIBUTION



### LUMINAIRE LIGHT OUTPUT AND EFFICACY

LED Module Type	Luminaire Light Output	Luminaire CBCP	Luminaire Efficacy (lms/watt)	System Wattage
3600 Lumens 80 CRI (L36S)	1972*	55,548*	73*	27
2800 Lumens 97 CRI (L28A)	1517*	42,729*	56*	27

\*estimated values

## PHOTOMETRIC REPORT with 9° reflector (tested per IESNA LM-79-2008)

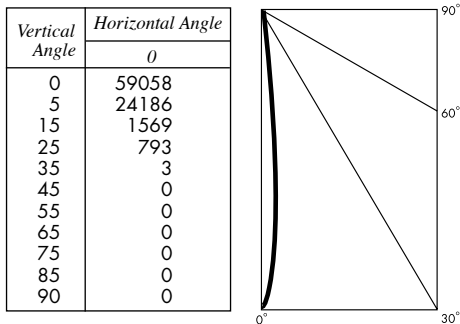
Prorated from Verification Services Report No. 755333. Original test report furnished upon request.

Luminaire ..... track-mounted LED accent light with a 9° reflector and open aperture (NO LENS)

Lamp ..... Citizen LED Module, 4000 lumens, 3000K



### CANDLEPOWER DISTRIBUTION



### LUMINAIRE LIGHT OUTPUT AND EFFICACY

LED Module Type	Luminaire Light Output	Luminaire CBCP	Luminaire Efficacy (lms/watt)	System Wattage
3600 Lumens 80 CRI (L36S)	2361*	53743*	87*	27
2800 Lumens 97 CRI (L28A)	1816*	41341*	67*	27

\*estimated values

### LIGHT OUTPUT MULTIPLIER

LED Module Type	Light Output Multiplier
3600 Lumens 80 CRI (L36S)	0.91*
4000 Lumens 80 CRI (L40S) [test only]	1
2800 Lumens 97 CRI (L28A)	0.7*

### STANDARD DRIVER INFORMATION (UL Class 2, dry and damp location)

Voltage	120	277
Input Watts (L36S/L28A)	27/27	27/27
Input Current(A) (L36S/L28A)	.23/.23	.10/.10
Output Current (mA)	700	700
Min. Power Factor 0.99	0.90	0.90
Operating Temperature Range (F)	-4 to 122	-4 to 122