



IDM MAXIMA™ XTM NSP

track mounted LED ring-baffled spotlight with integral dimmer



- **Luminaire may be configured to mount to any of eighteen 20-amp, 120-volt track systems** – or – to any of six 277-volt track systems. Luminaire is not suitable for use on 120-volt track systems dimmed by electronic low voltage (ELV) or incandescent dimming systems.
- **Whether operated on 120-volt or 277-volt track, luminaire may be dimmed to 10% by an integral rotary dimmer** located in the center of the housing top. Dimmer control shaft is spring loaded, permitting shaft to be expressed for adjustment and then depressed flush with the housing top to conserve dimmer setting. 'Clock face' markings permit registration of dimmer setting. (See illustrations below.)
- **Optical assembly consists of an integral reflector and a matte black concentric ring baffle** which increases beam control, eliminates spill light and minimizes glare. Clips accept one or two of a number of [Optical Accessories](#) including spread lenses, a beam smoother, color filters and light reduction screens.
- **Beam spread may be changed by removing the ring baffle**, replacing one 'twist an lock' [reflector](#) with the other, and re-inserting the ring baffle. Luminaire is ordered with a single reflector; the other reflector may be ordered as an accessory.
- **A concealed swivel provides 385° horizontal rotation and vertical adjustment from 0° to 90°**. The swivel is permanently tensioned, allowing the luminaire to remain fixed at any aiming angle.
- **Maxima luminaires have seamless aluminum housings** and cast aluminum tops for lightweight durability and heat dissipation.
- **For more information, [click here](#).**

For the outlet box mounted version of this luminaire, see [IDM Maxima XTM NSP-OBM](#).

IDM Maxima XTM NSP is a track mounted 13° or 28° spotlight powered by one of a number of Xicato 19mm XTM LED modules, all of which are distinguished by extraordinary color consistency (within 1x2-step MacAdam ellipse). See tables on the reverse for wattages and efficacies.

PRODUCT CODE

For complete product code, list basic unit and select one item from each following box.

Basic Unit.....IDM-MX-XTM-OG

Track Configuration

120-volt track (e.g. SightLine) 2C
277-volt track (e.g. HighLine) *switch not available* HC

Beam Spread Reflector (*specify one to ship with fixture*)

13° narrow spot 13D
28° spot 28D

Finish

white paint finish WH
black paint finish BL
Industrial Silver paint finish SI
custom color paint finish... *include paint number or physical chip with order* ... CC

Light Source Output

2100 lumens / CRI 80+ L21S
2100 lumens / CRI 80+ Vibrant *3000K only* L21V
2140 lumens / CRI 98 *Artist*..... L21A
2700 lumens / CRI 80+ L27S
2700 lumens / CRI 80+ Vibrant *3000K only* L27V

Light Color

2700 K 27K
3000 K 30K
3500 K 35K
4000 K 40K

Dimming Notes:

- Fixture may be dimmed only by its integral dimmer.
- Fixture cannot be dimmed by a dimmer of any kind on the track circuit.
- Fixture may be damaged by use of an incandescent or ELV dimmer on the track circuit.
- Fixture will not be dimmed or damaged by use of a 0-10V dimmer on the track circuit.

OPTIONS *Specify by adding to the product code.*

a rocker type **on/off switch** on fixture top, for use on 120-volt track only SW
white switch for white fixture, black for Silver or black fixture, specify which for custom color fixture

► For luminaires modified for 50A or 60A track systems, contact factory.

EXTRA REFLECTORS *Specify as separate line items.*

13° spot reflector XTM-REF13-111
28° narrow flood reflector XTM-REF28-111

OPTICAL ACCESSORIES ▼ *See next page*



DIMMER OPERATION

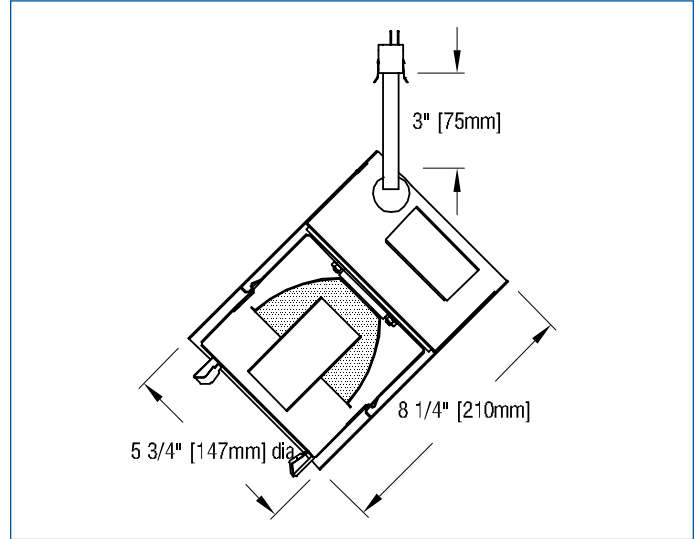


OPTICAL ACCESSORIES

Specify as separate line items.

All are 4 3/4" (121mm) dia. Lenses and filters are glass; screens are aluminum.

30° spread lens	LENS/4.75-30
20° x 55° spread lens	LENS/4.75
70° spread lens	LENS/4.75-70
40° x 70° spread lens	LENS/4.75-4070
prismatic lens (Solite)	PLS/4.75
beam smoother	CLR/4.75
color filters	
Daylight Blue	DAY/4.75
Surprise Pink	PNK/4.75
amber	AMB/4.75
blue	BLU/4.75
green	GRN/4.75
red	RED/4.75
33% light reduction screen	SCR33/4.75
50% light reduction screen	SCR50/4.75



APPLICATIONS

Luminaire is suitable for highlighting vertical or horizontal surfaces, as well as objects in museums, galleries, showrooms, residences, offices and stores.

Luminaire is listed for mounting on Edison Price Lighting 120-volt or 277-volt track.

– see below for photometric reports –



PHOTOMETRIC REPORT with 13° reflector (tested per IESNA LM-79-2008)

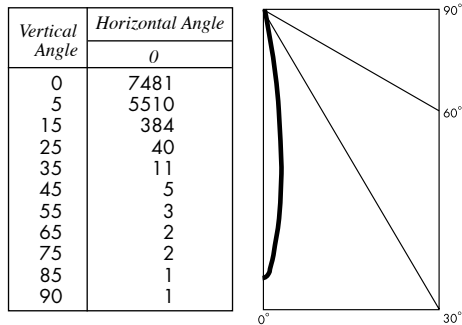
UL Verification Services Report No. 1155765. Original test report furnished upon request.

Luminaire track-mounted LED accent light with a 13° reflector and black ring baffle (NO LENS)

Lamp Xicato XTM LED Module, 2700 lumens, 3000K

Lamp Life rated 50,000 hours based on L70/B50 criteria. LM80 report by LED manufacturer furnished upon request

CANDLEPOWER DISTRIBUTION



LUMINAIRE LIGHT OUTPUT AND EFFICACY

LED Module Type	Luminaire Light Output	Luminaire CBCP	Luminaire Efficacy (lms/watt)	System Wattage
2140 Lumens Artist	488*	5935*	19*	26
2100 Lumens standard & Vibrant	488*	5935*	21*	23
2700 Lumens standard & Vibrant	615*	7481*	24*	26

*estimated values

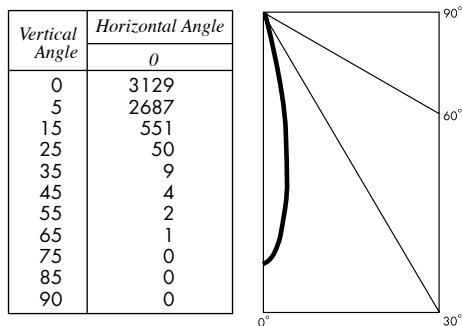
PHOTOMETRIC REPORT with 28° reflector (tested per IESNA LM-79-2008)

UL Verification Services Report No. 1155764. Original test report furnished upon request.

Luminaire track-mounted LED accent light with a 28° reflector and black ring baffle (NO LENS)

Lamp Xicato XTM LED Module, 2700 lumens, 3000K Lamp Life see above

CANDLEPOWER DISTRIBUTION



LUMINAIRE LIGHT OUTPUT AND EFFICACY

LED Module Type	Luminaire Light Output	Luminaire CBCP	Luminaire Efficacy (lms/watt)	System Wattage
2140 Lumens Artist	341*	2483*	13*	26
2100 Lumens standard & Vibrant	341*	2483*	15*	23
2700 Lumens standard & Vibrant	429*	3129*	17*	26

*estimated values

STANDARD DRIVER INFORMATION (UL Class 2, dry and damp location)

Voltage	120	277
Input Watts (2140A/1500/2100/2700 lumens)	26/23/26	26/18/26
Input Current(A) (2140A/1500/2100/2700 lumens)	.22/.19/.22	.09/.08/.09
Output Current (mA)	700	700
Min. Power Factor	0.90	0.90
Operating Temperature Range (F)	-13 to 122	-13 to 122

LIGHT OUTPUT MULTIPLIER

LED Module Type	Light Output Multiplier
2140 Lumens Artist	.79*
2100 Lumens standard & Vibrant	.79*
2700 Lumens standard & Vibrant	1

*estimated values