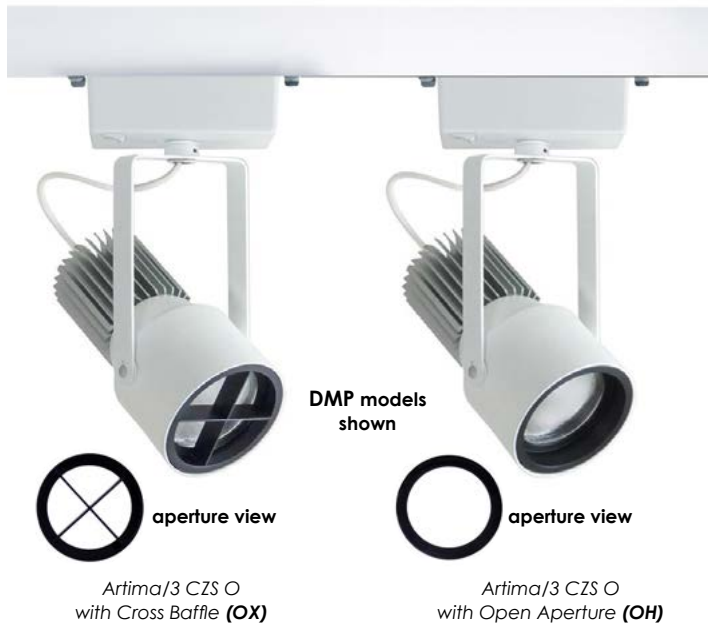


ARTIMA[®]/3 CZS O

track mounted LED accent light



Artima/3 CZS O is a track mounted accent light capable of 15°, 31°, 40° or 56° beam spreads. Luminaire is powered by one of a number of Citizen chip-on-board LED modules. See tables below for wattages and efficacies.

- Fixtures may be configured to mount to any of eighteen 20-amp, 12-volt [track systems](#) – or – to any of six 277-volt track systems.
- Fixture function can be changed with your choice of Quick Change Cartridge – which can be removed from the fixture easily – and your choice of ‘twist and lock’ [reflector](#).
- Quick Change Cartridge / Reflector choices
 - Quick Change Cartridge with a cross baffle (OX) for enhanced glare control; for use with a 15°, 31°, 40° or 56° reflector.
 - Quick Change Cartridge with an open aperture (OH) for maximum efficacy; for use with a 15°, 31°, 40° or 56° reflector.
- Fixture is ordered with a single Quick Change Cartridge and a single reflector. Additional Quick Change Cartridges and reflectors may be ordered as accessories.
- **Optical Accessories:** Each Quick Change Cartridge accepts one or two of a number of spread lenses, color filters and screens. A complimentary high efficiency diffuser is included.
- Horizontal and vertical adjustment can be locked by tightening two collar clamps using a 3/32" hex key. An on-off rocker switch, mounted in the driver case, is included standard on luminaires equipped for 120-volt track only.
- For more information, [click here](#).

For the outlet box mounted version, see [Artima/3 CZS O-OBM](#).
 For a tunable white model, see [Artima/3 TUNE O](#)

PRODUCT CODE

For complete product code, list basic unit and select one item from each following box.

Basic Unit	A3-CZS2
Track Configuration	
120-volt track (e.g. SightLine)	2C
277-volt track (e.g. HighLine)	no switch; not dimmable HC
Quick Change Cartridge	
Cross Baffle	OX
Open Aperture	OH
Reflector (specify one to ship with fixture)	
15° spot	15D
31° narrow flood.....	31D
40° flood.....	40D
56° wide flood.....	56D
Driver	
dimmable to 5% with either incandescent or ELV dimmer on 120-volt track only, seamless driver case measures 6" x 3 1/4" x 1 3/4"	
	DMP
dimmable to 1% with a Lutron® incandescent dimmer on 120-volt track only, seamless driver case measures 5 5/8" x 2 7/8" x 2"	
	DMI-LU
Light Source Output (Lumens)	
1500 lumens / 97 CRI	2700K, 3000K & 4000K only..... - L15A
2100 lumens.....	2700K, 3000K & 4000K only..... - L21A
2800 lumens.....	2700K, 3000K & 4000K only..... - L28A
3000 lumens.....	2700K, 3000K & 4000K only..... - L30A
1700 lumens / 90+ CRI.....	2700K & 3000K only..... - L17H
2300 lumens	2700K & 3000K only..... - L23H
3100 lumens.....	2700K & 3000K only..... - L31H
3400 lumens.....	2700K & 3000K only..... - L34H
1900 lumens / 80 CRI..... - L19S
2700 lumens..... - L27S
3600 lumens..... - L36S
4000 lumens..... - L40S
Light Color	
2700 K	27K
3000 K	30K
3500 K	not available in 90+CRI or 97 CRI (see above)..... - 35K
4000 K	not available in 90+CRI (see above)
5000 K	not available in 90+CRI or 97 CRI (see above)..... - 50K
Finish	
white: white paint, white lead cord, matte aluminum heat sink; white switch.....	WH
black: black paint, black lead cord, black heat sink; black switch	BL
Industrial Silver: silver paint, black lead cord, black heat sink; black switch	SI
custom color: include paint number or physical chip with order and select one from below	
• white lead cord, matte aluminum heat sink; white switch	CCW
• black lead cord, black heat sink; black switch; black switch	CCB
• any other combinations require a special order	

EXTRA REFLECTORS & CARTRIDGES

Specify as separate line items.

Reflector	
15° spot reflector.....	CZS2-REF-15D
31° narrow flood reflector	CZS2-REF-31D
40° flood reflector	CZS2-REF-40D
56° wide flood reflector	CZS2-REF-56D
Quick Change Cartridge	
Cross Baffle	RK-A3-CZS2+OX
Open Aperture	RK-A3+CZS2+OH

OPTICAL ACCESSORIES ▼ See next page

OPTICAL ACCESSORIES

Specify as separate line items.

All are 2 3/4" (70mm) dia. Lenses and filters are glass; screens are aluminum.

diffuse glass	DGS/2.75
prismatic lens (Solite)	PLS/2.75
55° spread lens	LENS/2.75
40° x 70° spread lens	LENS/2.75-4070
color filters	
Daylight Blue	DAY/2.75
Surprise Pink	PNK/2.75
blue	BLU/2.75
green	GRN/2.75
red	RED/2.75
33% light reduction screen	SCR33/2.75
50% light reduction screen	SCR50/2.75

BARN DOORS

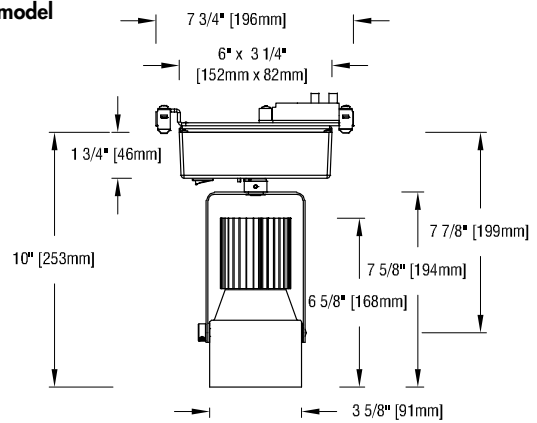
Specify as separate line items.

Specify with one optical accessory (not included), see above.

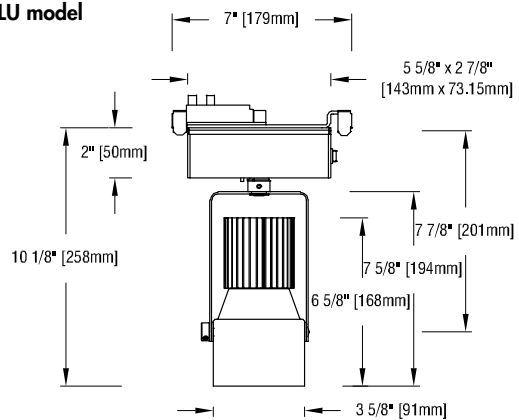
white	BD-A3-WH
black	BD-A3-BL
silver	BD-A3-SI
custom color	BD-A3-CC



DMP model



DMI-LU model



APPLICATIONS

Luminaire is suitable for highlighting vertical or horizontal surfaces, as well as objects in museums, galleries, showrooms, residences, offices and stores.

Luminaire is listed for mounting on Edison Price Lighting 120-volt or 277-volt track.

Fixture Spacing Requirements The track adapter of this fixture is as long as 7 3/4" long. For this reason 1) it cannot be track-mounted closer than 8 1/4" on center and 2) it cannot be used with 2 of our 7 Unicep single-fixture track units.

– photometrics below –



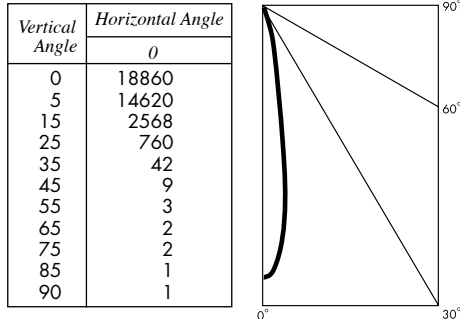
PHOTOMETRIC REPORT with 15° reflector (tested per IESNA LM-79-2008)



UL Verification Services Report No. 12713115.05A. Original test report furnished upon request.

Luminaire track-mounted LED accent light with a 15° reflector and black cross-baffle (NO LENS)
 Lamp Citizen LED Module, 4000 lumens, 3000K
 Lamp Life rated 50.000 hours based on L70/B50 criteria. LM80 report by LED manufacturer furnished upon request

CANDLEPOWER DISTRIBUTION



LUMINAIRE LIGHT OUTPUT AND EFFICACY

LED Module Type	Luminaire Light Output	Luminaire CBCP	Luminaire Efficacy (lms/watt)	System Wattage
1500 Lumens 97 CRI (L15A)	828*	6977*	59*	14
2100 Lumens 97 CRI (L21A)	1141*	9617*	60*	19
2800 Lumens 97 CRI (L28A)	1544*	13011*	57*	27
3000 Lumens 97 CRI (L30A)	1722*	14520*	54*	32
1700 Lumens 90 CRI (L17H)	940*	7920*	67*	14
2300 Lumens 90 CRI (L23H)	1297*	10937*	68*	19
3100 Lumens 90 CRI (L31H)	1722*	14520*	64*	27
3400 Lumens 90CRI (L34H)	1924*	16217*	60*	32
1900 Lumens 80 CRI (L19S)	1096*	9240*	78*	14
2700 Lumens 80 CRI (L27S)	1521*	12823*	80*	19
3600 Lumens 80 CRI (L36S)	2036*	17160*	75*	27
4000 Lumens 80 CRI (L40S)	2237	18857	69	32

*estimated values

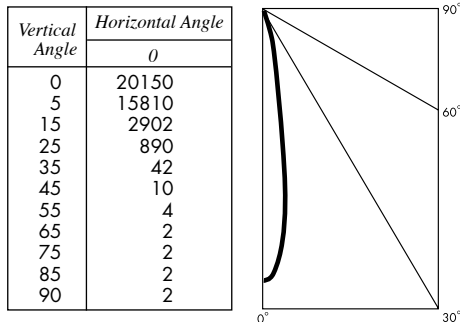
PHOTOMETRIC REPORT with 15° reflector (tested per IESNA LM-79-2008)



UL Verification Services Report No. 12713115.01A. Original test report furnished upon request.

Luminaire track-mounted LED accent light with a 15° reflector and open aperture (NO LENS)
 Lamp Citizen LED Module, 4000 lumens, 3000K
 Lamp Life see above

CANDLEPOWER DISTRIBUTION



LUMINAIRE LIGHT OUTPUT AND EFFICACY

LED Module Type	Luminaire Light Output	Luminaire CBCP	Luminaire Efficacy (lms/watt)	System Wattage
1500 Lumens 97 CRI (L15A)	898*	7456*	64*	14
2100 Lumens 97 CRI (L21A)	1237*	10277*	65*	19
2800 Lumens 97 CRI (L28A)	1674*	13904*	62*	27
3000 Lumens 97 CRI (L30A)	1868*	15516*	58*	32
1700 Lumens 90 CRI (L17H)	1019*	8463*	73*	14
2300 Lumens 90 CRI (L23H)	1407*	11687*	74*	19
3100 Lumens 90 CRI (L31H)	1868*	15516*	69*	27
3400 Lumens 90CRI (L34H)	2086*	17329*	65*	32
1900 Lumens 80 CRI (L19S)	1189*	9874*	85*	14
2700 Lumens 80 CRI (L27S)	1650*	13702*	87*	19
3600 Lumens 80 CRI (L36S)	2208*	18337*	82*	27
4000 Lumens 80 CRI (L40S)	2426	20150	76	32

*estimated values

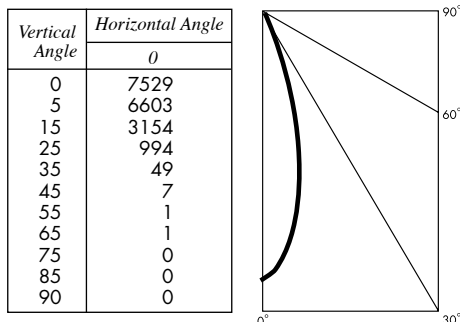
PHOTOMETRIC REPORT with 31° reflector (tested per IESNA LM-79-2008)



UL Verification Services Report No. 12713115.06A. Original test report furnished upon request.

Luminaire track-mounted LED accent light with a 31° reflector and black cross-baffle (NO LENS)
 Lamp Citizen LED Module, 4000 lumens, 3000K
 Lamp Life see above

CANDLEPOWER DISTRIBUTION



LUMINAIRE LIGHT OUTPUT AND EFFICACY

LED Module Type	Luminaire Light Output	Luminaire CBCP	Luminaire Efficacy (lms/watt)	System Wattage
1500 Lumens 97 CRI (L15A)	707*	2794*	50*	14
2100 Lumens 97 CRI (L21A)	974*	3851*	51*	19
2800 Lumens 97 CRI (L28A)	1318*	5210*	49*	27
3000 Lumens 97 CRI (L30A)	1471*	5814*	46*	32
1700 Lumens 90 CRI (L17H)	802*	3171*	57*	14
2300 Lumens 90 CRI (L23H)	1108*	4379*	58*	19
3100 Lumens 90 CRI (L31H)	1471*	5814*	54*	27
3400 Lumens 90CRI (L34H)	1643*	6493*	51*	32
1900 Lumens 80 CRI (L19S)	936*	3700*	67*	14
2700 Lumens 80 CRI (L27S)	1299*	5134*	68*	19
3600 Lumens 80 CRI (L36S)	1738*	6871*	64*	27
4000 Lumens 80 CRI (L40S)	1910	7550	59	32

*estimated values

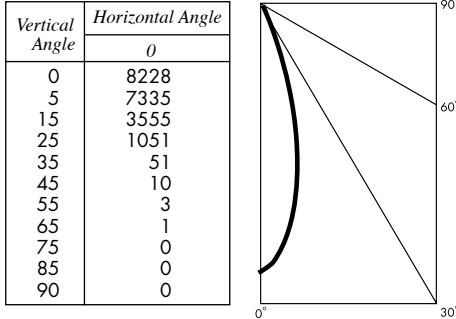
PHOTOMETRIC REPORT with 31° reflector (tested per IESNA LM-79-2008)



UL Verification Services Report No. 12713115.02A. Original test report furnished upon request.

Luminaire track-mounted LED accent light with a 31° reflector and open aperture (NO LENS)
 Lamp Citizen LED Module, 4000 lumens, 3000K
 Lamp Life rated 50.000 hours based on L70/B50 criteria. LM80 report by LED manufacturer furnished upon request

CANDLEPOWER DISTRIBUTION



LUMINAIRE LIGHT OUTPUT AND EFFICACY

LED Module Type	Luminaire Light Output	Luminaire CBCP	Luminaire Efficacy (lms/watt)	System Wattage
1500 Lumens 97 CRI (L15A)	785*	3044*	56*	14
2100 Lumens 97 CRI (L21A)	1082*	4196*	57*	19
2800 Lumens 97 CRI (L28A)	1463*	5677*	54*	27
3000 Lumens 97 CRI (L30A)	1633*	6336*	51*	32
1700 Lumens 90 CRI (L17H)	891*	3456*	64*	14
2300 Lumens 90 CRI (L23H)	1230*	4772*	65*	19
3100 Lumens 90 CRI (L31H)	1633*	6336*	60*	27
3400 Lumens 90CRI (L34H)	1824*	7076*	57*	32
1900 Lumens 80 CRI (L19S)	1039*	4032*	74*	14
2700 Lumens 80 CRI (L27S)	1442*	5595*	76*	19
3600 Lumens 80 CRI (L36S)	1930*	7487*	71*	27
4000 Lumens 80 CRI (L40S)	2121	8228	66	32

*estimated values

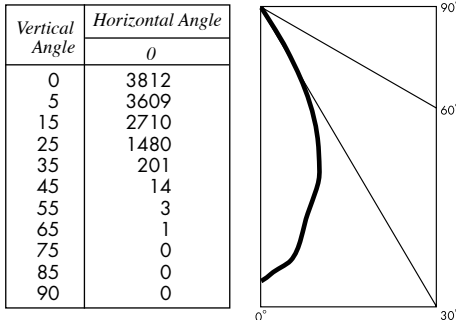
PHOTOMETRIC REPORT with 40° reflector (tested per IESNA LM-79-2008)



UL Verification Services Report No. 12713115.07A. Original test report furnished upon request.

Luminaire track-mounted LED accent light with a 40° reflector and black cross-baffle (NO LENS)
 Lamp Citizen LED Module, 4000 lumens, 3000K
 Lamp Life see above

CANDLEPOWER DISTRIBUTION



LUMINAIRE LIGHT OUTPUT AND EFFICACY

LED Module Type	Luminaire Light Output	Luminaire CBCP	Luminaire Efficacy (lms/watt)	System Wattage
1500 Lumens 97 CRI (L15A)	705	1410	50	14
2100 Lumens 97 CRI (L21A)	972	1944	51	19
2800 Lumens 97 CRI (L28A)	1314	2630	49	27
3000 Lumens 97 CRI (L30A)	1467	2935	46	32
1700 Lumens 90 CRI (L17H)	800	1601	57	14
2300 Lumens 90 CRI (L23H)	1105	2211	58	19
3100 Lumens 90 CRI (L31H)	1467	2935	54	27
3400 Lumens 90CRI (L34H)	1638	3278	51	32
1900 Lumens 80 CRI (L19S)	933	1868	67	14
2700 Lumens 80 CRI (L27S)	1295	2592	68	19
3600 Lumens 80 CRI (L36S)	1734	3469	64	27
4000 Lumens 80 CRI (L40S)	1905	3812	59	32

*estimated values

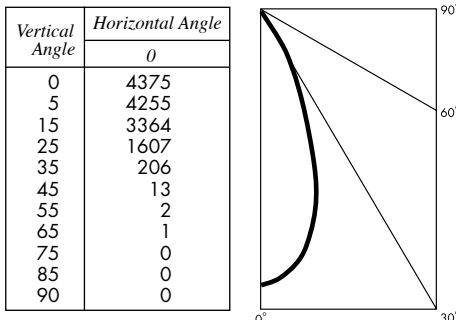
PHOTOMETRIC REPORT with 40° reflector (tested per IESNA LM-79-2008)



UL Verification Services Report No. 12713115.03A. Original test report furnished upon request.

Luminaire track-mounted LED accent light with a 40° reflector and open aperture (NO LENS)
 Lamp Citizen LED Module, 4000 lumens, 3000K
 Lamp Life see above

CANDLEPOWER DISTRIBUTION



LUMINAIRE LIGHT OUTPUT AND EFFICACY

LED Module Type	Luminaire Light Output	Luminaire CBCP	Luminaire Efficacy (lms/watt)	System Wattage
1500 Lumens 97 CRI (L15A)	810*	1619*	58*	14
2100 Lumens 97 CRI (L21A)	1117*	2231*	59*	19
2800 Lumens 97 CRI (L28A)	1511*	3019	56*	27
3000 Lumens 97 CRI (L30A)	1686*	3369*	53*	32
1700 Lumens 90 CRI (L17H)	920*	1838*	66*	14
2300 Lumens 90 CRI (L23H)	1270*	2538*	67*	19
3100 Lumens 90 CRI (L31H)	1686*	3369*	62*	27
3400 Lumens 90CRI (L34H)	1883*	3763*	59*	32
1900 Lumens 80 CRI (L19S)	1073*	2144*	77*	14
2700 Lumens 80 CRI (L27S)	1489*	2975*	78*	19
3600 Lumens 80 CRI (L36S)	1993*	3981*	74*	27
4000 Lumens 80 CRI (L40S)	2190	4375	67	32

*estimated values

PHOTOMETRIC REPORT with 56° reflector (tested per IESNA LM-79-2008)

Ⓛ Verification Services Report No. 12713115.08A. Original test report furnished upon request.

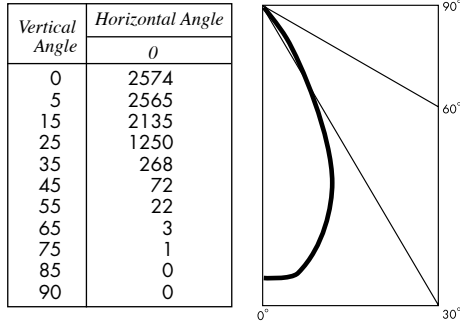
Luminaire track-mounted LED accent light with a 56° reflector and black cross-baffle (NO LENS)

Lamp Citizen LED Module, 4000 lumens, 3000K

Lamp Life rated 50.000 hours based on L70/B50 criteria. LM80 report by LED manufacturer furnished upon request



CANDLEPOWER DISTRIBUTION



LUMINAIRE LIGHT OUTPUT AND EFFICACY

LED Module Type	Luminaire Light Output	Luminaire CBCP	Luminaire Efficacy (lms/watt)	System Wattage
1500 Lumens 97 CRI (L15A)	621*	955*	44*	14
2100 Lumens 97 CRI (L21A)	856*	1316*	45*	19
2800 Lumens 97 CRI (L28A)	1159*	1780*	43*	27
3000 Lumens 97 CRI (L30A)	1293*	1987*	40*	32
1700 Lumens 90 CRI (L17H)	705*	1084*	50*	14
2300 Lumens 90 CRI (L23H)	974*	1496*	51*	19
3100 Lumens 90 CRI (L31H)	1293*	1987*	48*	27
3400 Lumens 90CRI (L34H)	1444*	2219*	45*	32
1900 Lumens 80 CRI (L19S)	823*	1264*	59*	14
2700 Lumens 80 CRI (L27S)	1142*	1754*	60*	19
3600 Lumens 80 CRI (L36S)	1528*	2348*	57*	27
4000 Lumens 80 CRI (L40S)	1679	2580	52	32

*estimated values

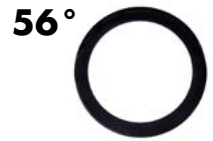
PHOTOMETRIC REPORT with 56° reflector (tested per IESNA LM-79-2008)

Ⓛ Verification Services Report No. 12713115.04A. Original test report furnished upon request.

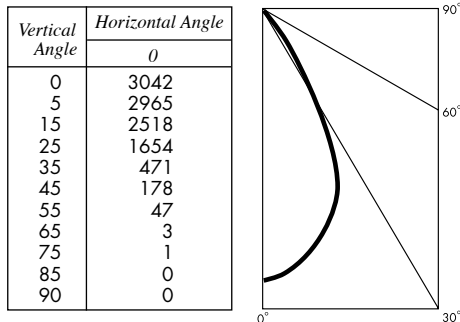
Luminaire track-mounted LED accent light with a 56° reflector and open aperture (NO LENS)

Lamp Citizen LED Module, 4000 lumens, 3000K

Lamp Life see above



CANDLEPOWER DISTRIBUTION



LUMINAIRE LIGHT OUTPUT AND EFFICACY

LED Module Type	Luminaire Light Output	Luminaire CBCP	Luminaire Efficacy (lms/watt)	System Wattage
1500 Lumens 97 CRI (L15A)	808*	1126*	58*	14
2100 Lumens 97 CRI (L21A)	1114*	1551*	59*	19
2800 Lumens 97 CRI (L28A)	1508*	2099*	56*	27
3000 Lumens 97 CRI (L30A)	1682*	2342*	53*	32
1700 Lumens 90 CRI (L17H)	918*	1278*	66*	14
2300 Lumens 90 CRI (L23H)	1267*	1764*	67*	19
3100 Lumens 90 CRI (L31H)	1682*	2342*	62*	27
3400 Lumens 90CRI (L34H)	1879*	2616*	59*	32
1900 Lumens 80 CRI (L19S)	1071*	1491*	76*	14
2700 Lumens 80 CRI (L27S)	1486*	2069*	78*	19
3600 Lumens 80 CRI (L36S)	1988*	2768*	74*	27
4000 Lumens 80 CRI (L40S)	2185	3042	67	32

*estimated values

STANDARD DRIVER INFORMATION (UL Class 2, dry and damp location)

Voltage	120	277
Input Watts (L15A/21A/28A/L30A/L17H/L23H/L31H/L34H/ L19S/L27S/L36S/L40S lumens)	14/19/27/32	14/19/27/32
Input Current(A) (L15A/21A/28A/L30A/L17H/L23H/L31H/L34H/ L19S/L27S/L36S/L40S lumens)	.12/.16/.23/.27	.05/.07/.10/.12
Output Current (mA)	350-800	350-800
Min. Power Factor	0.90	0.90
Operating Temperature Range (F)	-13 to 122	-13 to 122

LIGHT OUTPUT MULTI-

LED Module Type	Light Output Multiplier
1500 Lumens 97 CRI (L15A)	0.37*
2100 Lumens 97 CRI (L21A)	0.51*
2800 Lumens 97 CRI (L28A)	0.69*
3000 Lumens 97 CRI (L30A)	0.77*
1700 Lumens 90 CRI (L17H)	0.42*
2300 Lumens 90 CRI (L23H)	0.58*
3100 Lumens 90 CRI (L31H)	0.77*
3400 Lumens 90CRI (L34H)	0.86*
1900 Lumens 80 CRI (L19S)	0.49*
2700 Lumens 80 CRI (L27S)	0.68*
3600 Lumens 80 CRI (L36S)	0.91*
4000 Lumens 80 CRI (L40S)	1

*estimated values

LED CCT MULTIPLIERS

2700K	.96
3000K	1
3500K	1.02
4000K	1.03
5000K	1.04