

Project

Type

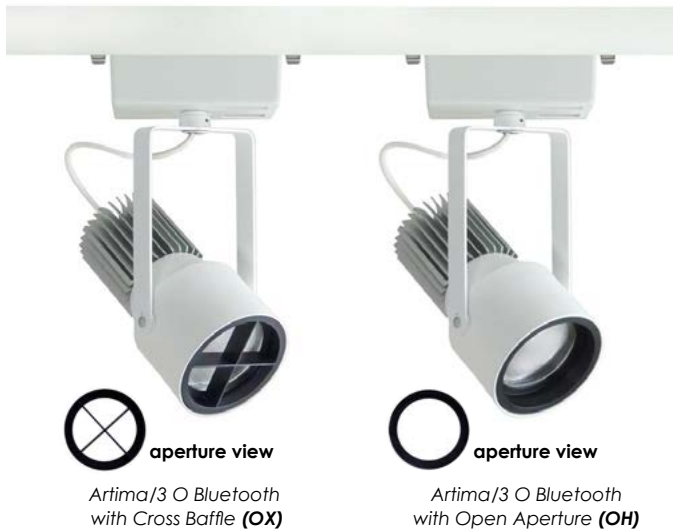


Date Product Code

Designer

ARTIMA[®]/3 O BLUETOOTH

track mounted wireless LED accent light



Artima/3 O Bluetooth with Cross Baffle (OX)

Artima/3 O Bluetooth with Open Aperture (OH)

Artima/3 O Bluetooth is a track mounted accent light powered by one of a number of 19mm Xicato LED modules. See tables below for wattages and efficacies.

- Luminaire is equipped with a Xicato XIM Gen4 LED module, an IOT device with embedded micro-processor and Bluetooth Low Energy chip, controllable via a smart device with iOS or Windows based apps. Features include
 - standard Bluetooth Wireless connectivity
 - addressable individually
 - on/off control
 - dimming to 0.1%
 - data collection and storage for power consumption and LED performance
 - direct listening to switches and sensors
 - embedded Eddystone, iBeacon and/or AltBeacon beacons
- Fixtures may be configured to mount to any of eighteen 20-amp, 12-volt track systems – or – to any of six 277-volt track systems.
- Fixture function can be changed with your choice of Quick Change Cartridge – which can be removed from the fixture easily – and your choice of ‘twist and lock’ reflector.
- Quick Change Cartridge / Reflector choices
 - Quick Change Cartridge with a cross baffle (OX) for enhanced glare control; for use with a 20° 40° or 60° reflector
 - Quick Change Cartridge with an open aperture (OH) for maximum efficacy; for use with a 20°, 40° or 60° reflector
- Fixture is ordered with a single Quick Change Cartridge and a single reflector. Additional Quick Change Cartridges and reflectors may be ordered as accessories.
- Optical Accessories: Each Quick Change Cartridge accepts one or two of a number of spread lenses, color filters and screens. A complimentary Beam Smoother is included.
- Horizontal and vertical adjustment can be locked by tightening two collar clamps using a 3/32" hex key.
- For more information, [click here](#).

PRODUCT CODE

For complete product code, list basic unit and select one item from each following box.

Basic Unit A3-XIM

Track Configuration

120-volt track (e.g. SightLine) - 2C

277-volt track (e.g. HighLine) no switch; not dimmable - HC

Quick Change Cartridge

Cross Baffle - OX

Open Aperture - OH

Reflector (specify one to ship with fixture)

20° spot - 20D

40° flood - 40D

60° wide flood - 60D

Light Source Output (Lumens)

1300 lumens / CRI 98 Artist - L13A

1300 lumens / CRI 80+ standard - L13S

1300 lumens / CRI 80+ Vibrant 3000K only - L13V

2000 lumens / CRI 98 Artist - L20A

2000 lumens / CRI 80+ standard - L20S

2000 lumens / CRI 80+ Vibrant 3000K only - L20V

2700 lumens / CRI 80+ standard - L27S

2700 lumens / CRI 80+ Vibrant 3000K only - L27V

Light Color

2700 K - 27K

3000 K - 30K

3500 K - 35K

4000 K - 40K

Finish

white: white paint, white lead cord, matte aluminum heat sink - WH

black: black paint, black lead cord, black heat sink - BL

Industrial Silver: silver paint, black lead cord, black heat sink - SI

custom color: include paint number or physical chip with order and select one from below

- white lead cord, matte aluminum heat sink - CCW
- black lead cord, black heat sink - CCB
- any other combinations require a special order

Circuit Limitations

Luminaire operates only on track circuits with no dimmer on the circuit

OPTION

Integral Dimmer: rotary dimmer located in side of driver case; dims to 1% on 120 or 277 volt track; see detail below - ID

EXTRA REFLECTORS & CARTRIDGES

Specify as separate line items.

Reflector

20° spot reflector XTM-REF20-72

40° spot reflector XTM-REF40-72

60° spot reflector XTM-REF60-72

Quick Change Cartridge

Cross Baffle A3-XTM-OX

Open Aperture A3-XTM-OH

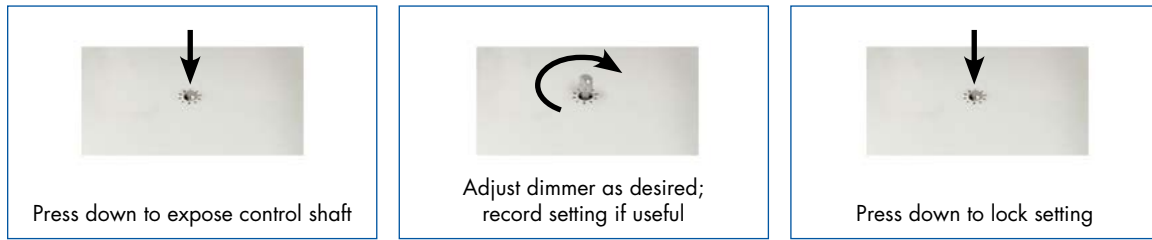
OPTICAL ACCESSORIES ▼ See next page



For the outlet box mounted version, see Artima/3 O-OBM Bluetooth.

INTEGRAL DIMMER OPTION (ID)

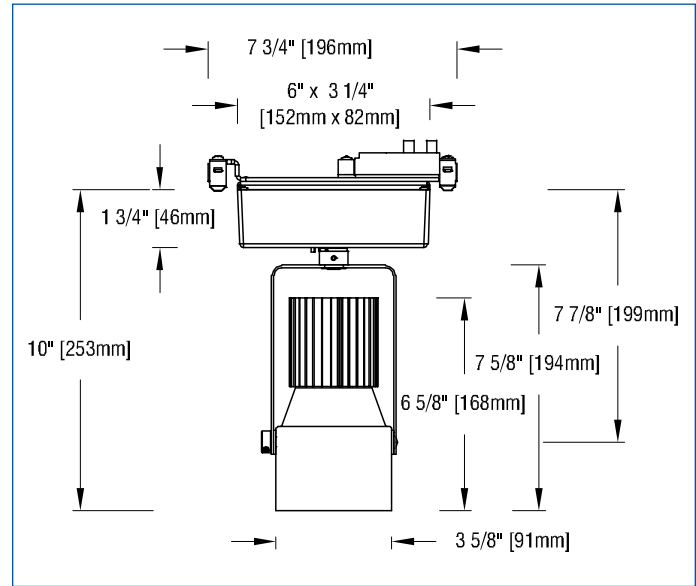
Integral rotary dimmer located in one side of the driver case: Dimmer control shaft is spring loaded, permitting shaft to be exposed for adjustment then depressed flush to conserve dimmer setting. "Clock face" markings permit registration of dimmer setting.



OPTICAL ACCESSORIES

Specify as separate line items.
All are 2 3/4" (70mm) dia. Lenses and filters are glass; screens are aluminum.

diffuse glass	DGS/2.75
prismatic lens (Solite)	PLS/2.75
55° spread lens	LENS/2.75
40° x 70° spread lens	LENS/2.75-4070
beam smoother included with fixture	CLR/2.75
color filters	
Daylight Blue	DAY/2.75
Surprise Pink	PNK/2.75
amber	AMB/2.75
blue	BLU/2.75
green	GRN/2.75
red	RED/2.75
33% light reduction screen	SCR33/2.75
50% light reduction screen	SCR50/2.75



APPLICATIONS

Luminaire is suitable for highlighting vertical or horizontal surfaces, as well as objects in museums, galleries, showrooms, residences, offices and stores.

Luminaire is listed for mounting on Edison Price Lighting 120-volt or 277-volt track.

USB Key
To address this fixture from a Windows-based PC, laptop or tablet, a USB key (dongle) is required. Contact factory for USB key.

Fixture Spacing Requirements The track adapter of this fixture is 7 3/4" long. For this reason 1) it cannot be track-mounted closer than 8" on center and 2) it cannot be used with 2 of our 7 **Unicep** single-fixture track units.

– see below for photometric reports –

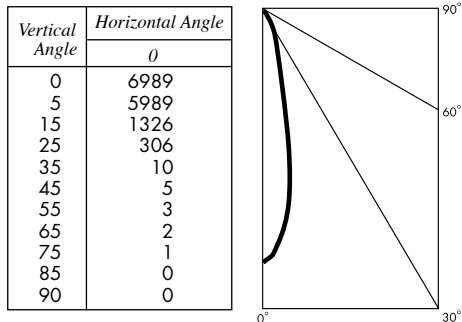


PHOTOMETRIC REPORT with 20° reflector (tested per IESNA LM-79-2008)

Prorated from Verification Services Report No. 1164149. Original test report furnished upon request.

Luminaire track-mounted LED accent light with a 20° reflector and black cross-baffle (NO LENS)
 Lamp Xicato XIM (19mm) LED Module, 2000 lumens, 3000K, 80 CRI
 Lamp Life rated 50.000 hours based on L70/B50 criteria. LM80 report by LED manufacturer furnished upon request

CANDLEPOWER DISTRIBUTION (Candela)



LUMINAIRE LIGHT OUTPUT AND EFFICACY

LED Module Type	Luminaire Light Output	Luminaire Efficacy (lms/watt)	System Wattage
1300 Lumens Artist	662*	34*	19
2000 Lumens Artist	1018*	32*	32
1300 Lumens standard & Vibrant	662*	44*	15
2000 Lumens standard & Vibrant	1018*	43*	24
2700 Lumens standard & Vibrant	1351*	42*	32

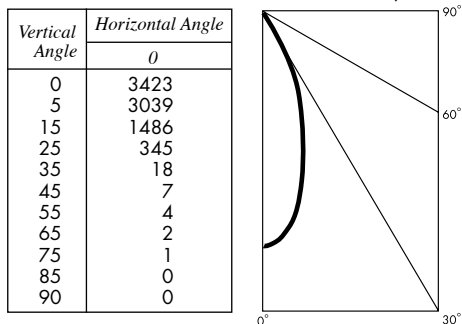
*estimated values

PHOTOMETRIC REPORT with 40° reflector (tested per IESNA LM-79-2008)

Prorated from Verification Services Report No. 1164150. Original test report furnished upon request.

Luminaire track-mounted LED accent light with a 40° reflector and black cross-baffle (NO LENS)
 Lamp Xicato XIM (19mm) LED Module, 2000 lumens, 3000K, 80 CRI Lamp Lifesee above

CANDLEPOWER DISTRIBUTION (Candela)



LUMINAIRE LIGHT OUTPUT AND EFFICACY

LED Module Type	Luminaire Light Output	Luminaire Efficacy (lms/watt)	System Wattage
1300 Lumens Artist	564*	29*	19
2000 Lumens Artist	868*	27*	32
1300 Lumens standard & Vibrant	564*	37*	15
2000 Lumens standard & Vibrant	868*	36*	24
2700 Lumens standard & Vibrant	1152*	36*	32

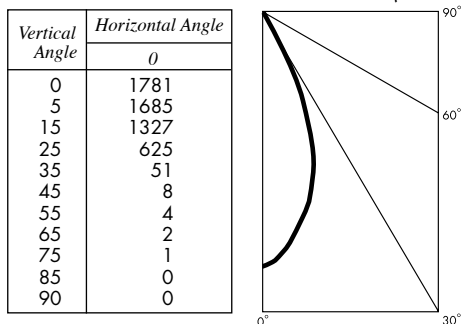
*estimated values

PHOTOMETRIC REPORT with 60° reflector (tested per IESNA LM-79-2008)

Prorated from Verification Services Report No. 1164151. Original test report furnished upon request.

Luminaire track-mounted LED accent light with a 60° reflector and black cross-baffle (NO LENS)
 Lamp Xicato XIM (19mm) LED Module, 2000 lumens, 3000K, 80 CRI Lamp Lifesee above

CANDLEPOWER DISTRIBUTION (Candela)



LUMINAIRE LIGHT OUTPUT AND EFFICACY

LED Module Type	Luminaire Light Output	Luminaire Efficacy (lms/watt)	System Wattage
1300 Lumens Artist	563*	29*	19
2000 Lumens Artist	866*	27*	32
1300 Lumens standard & Vibrant	563*	37*	15
2000 Lumens standard & Vibrant	866*	36*	24
2700 Lumens standard & Vibrant	1149*	36*	32

*estimated values

STANDARD DRIVER INFORMATION (UL Class 2, dry and damp location)

Voltage	120	277
Input Watts (1300A/2000A/1300S&V/2000S&V/2700S&V lumens)	19/32/15/24/32	19/32/15/24/32
Input Current(A) (1300A/2000A/1300S&V/2000S&V/2700S&V lumens)	.16/.27/13/.20/.27	.07/12/05/09/12
Min. Power Factor	0.90	0.90
Operating Temperature Range (F)	-13 to 122	-13 to 122

LIGHT OUTPUT MULTIPLIER

LED Module Type	Light Output Multiplier
1300 Lumens Artist	.65*
2000 Lumens Artist	1
1300 Lumens standard & Vibrant	.65*
2000 Lumens standard & Vibrant	1
2700 Lumens standard & Vibrant	1.33*

*estimated values