

Project

Type



MADE IN USA

[Click Here](#)

Date

Product Code

Designer

ARTIMA®/3 CZS W BLUETOOTH

track mounted addressable LED wallwasher



Artima/3 CZS W Bluetooth is a track mounted wallwasher powered by one of a number of Citizen chip-on-board LED modules. See tables below for wattages and efficacies.

PRODUCT CODE

For complete product code, list basic unit and select one item from each following box.

Basic Unit A3-CZS2-XID-W

Track Configuration

120-volt track (e.g. SightLine) - 2C
 277-volt track (e.g. HighLine) *no switch; not dimmable* - HC

Finish

white: white paint, white lead cord, matte aluminum heat sink; white switch..... - WH
 black: black paint, black lead cord, black heat sink; black switch - BL
 Industrial Silver: silver paint, black lead cord, black heat sink; black switch..... - SI
 custom color: include paint number or physical chip with order and select one from below

- white lead cord, matte aluminum heat sink; white switch..... - CCW
- black lead cord, black heat sink; black switch; black switch - CCB
- *any other combinations require a special order*

Light Source Output (Lumens)

1500 lumens / 97 CRI2700K & 3000K only..... - L15A
 2100 lumens.....2700K & 3000K only..... - L21A
 2800 lumens.....2700K & 3000K only..... - L28A
 3000 lumens.....2700K & 3000K only..... - L30A
 1700 lumens / 90+ CRI.....2700K & 3000K only..... - L17H
 2300 lumens2700K & 3000K only..... - L23H
 3100 lumens.....2700K & 3000K only..... - L31H
 3400 lumens.....2700K & 3000K only..... - L34H
 1900 lumens / 80 CRI..... - L19S
 2700 lumens..... - L27S
 3600 lumens..... - L36S
 4000 lumens..... - L40S

Light Color

2700 K - 27K
 3000 K - 30K
 3500 K *not available in 90+CRI or 97 CRI (see above)* - 35K
 4000 K *not available in 90+CRI or 97 CRI (see above)* - 40K
 5000 K *not available in 90+CRI or 97 CRI (see above)* - 50K

Circuit Limitations

Luminaire operates only on track circuits with no dimmer on the circuit

OPTION

Integral Dimmer: rotary dimmer located in side of driver case; dims to 1% on 120 or 277 volt track; see detail below - ID

OPTICAL ACCESSORIES ▼ See next page

- Luminaire is equipped with a Xicato Bluetooth Low Energy Intelligent Driver, controllable via a smart device with iOS or Windows based apps. Features include
 - standard Bluetooth Wireless connectivity
 - addressable individually
 - on/off control
 - dimming to 0.1%
 - data collection and storage for operating history
 - direct listening to switches and sensors
 - embedded Eddystone, iBeacon and/or AltBeacon beacons
- Fixtures may be configured to mount to any of eighteen 20-amp, 12-volt [track systems](#) – or – to any of six 277-volt track systems.
- The optical assembly consists of an aluminum reflector and a 40° x 70° spread lens. In addition, the assembly accepts one of a number of optional [Optical Accessories](#) including color filters and screens. Assembly is keyed relative to luminaire housing, to retain critical lens orientation.
- Horizontal and vertical adjustment can be locked by tightening two collar clamps using a 3/32" hex key.
- For more information, [click here](#).

USB Key
 To address this fixture from a Windows-based PC, laptop or tablet, a USB key (dongle) is required. Contact factory for USB key.

For the outlet box mounted version, see [Artima/3 CZS W Bluetooth-OBM](#).



INTEGRAL DIMMER OPTION (ID)

Integral rotary dimmer located in one side of the driver case: Dimmer control shaft is spring loaded, permitting shaft to be exposed for adjustment then depressed flush to conserve dimmer setting. "Clock face" markings permit registration of dimmer setting.



OPTICAL ACCESSORIES

Specify as separate line items.
All are 2 3/4" (70mm) dia. Lenses and filters are glass; screens are aluminum.

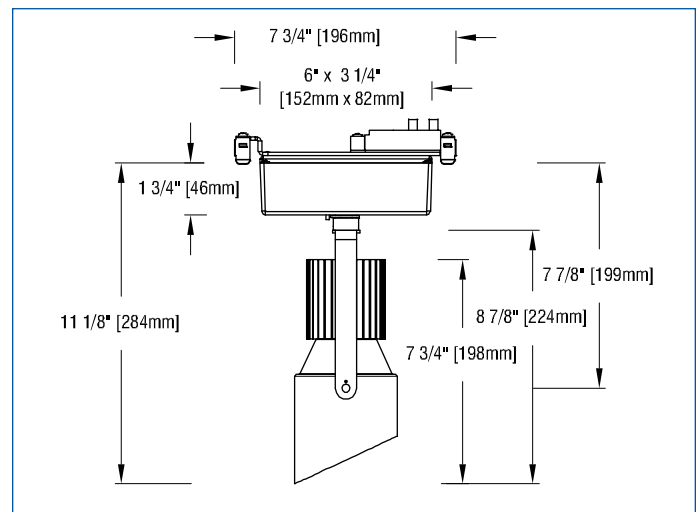
40° x 70° spread lens (included with fixture) LENS/2.75-4070

color filters

- Daylight Blue DAY/2.75
- Surprise Pink PNK/2.75
- blue BLU/2.75
- green GRN/2.75
- red RED/2.75

33% light reduction screen SCR33/2.75

50% light reduction screen SCR50/2.75



APPLICATIONS

Luminaire is suitable for highlighting vertical surfaces in museums, galleries, showrooms, residences, offices and stores.

Luminaire is listed for mounting on Edison Price Lighting 120-volt or 277-volt track.

Fixture Spacing Requirements The track adapter of this fixture may be as long as 7 3/4" long. For this reason 1) it cannot be track-mounted closer than 8" on center and 2) it cannot be used with 2 of our 7 **Unicep** single-fixture track units.

STANDARD DRIVER INFORMATION (UL Class 2, dry and damp location)

Voltage	120	277
Input Watts (L15A/21A/28A/L30A/L17H/L23H/L31H/L34H/L19S/L27S/L36S/L40S lumens)	14/19/27/32	14/19/27/32
Input Current(A) (L15A/21A/28A/L30A/L17H/L23H/L31H/L34H/L19S/L27S/L36S/L40S lumens)	.12/.16/.23/.27	.05/.07/.10/.12
Output Current (mA)	350-800	350-800
Min. Power Factor	0.90	0.90
Operating Temperature Range (F)	-13 to 122	-13 to 122

LED CCT MULTIPLIERS

2700K	.96
3000K	1
3500K	1.02
4000K	1.03
5000K	1.04

LIGHT OUTPUT MULTIPLIER

LED Module Type	Light Output Multiplier
1500 Lumens 97 CRI (L15A)	0.37*
2100 Lumens 97 CRI (L21A)	0.51*
2800 Lumens 97 CRI (L28A)	0.69*
3000 Lumens 97 CRI (L30A)	0.77*
1700 Lumens 90 CRI (L17H)	0.42*
2300 Lumens 90 CRI (L23H)	0.58*
3100 Lumens 90 CRI (L31H)	0.77*
3400 Lumens 90CRI (L34H)	0.86*
1900 Lumens 80 CRI (L19S)	0.49*
2700 Lumens 80 CRI (L27S)	0.68*
3600 Lumens 80 CRI (L36S)	0.91*
4000 Lumens 80 CRI (L40S)	1

*estimated values

– photometrics continued below –



PHOTOMETRIC REPORT (tested per IESNA LM-79-2008)

Verification Services Report No. 12713115.09. Original test report furnished upon request.

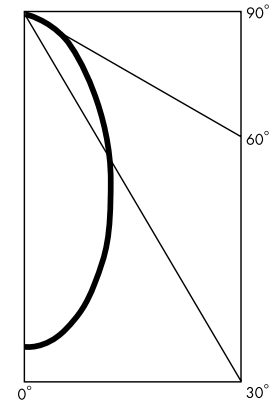
Luminaire track-mounted LED wallwasher with a 56° internal reflector, a 40° x 70° spread lens and a specular hammer tone kicker reflector.
 Lamp Citizen LED Module, 4000 lumens, 3000K
 Lamp Life rated 50.000 hours based on L70/B50 criteria. LM80 report by LED manufacturer furnished upon request

WALLWASH INFORMATION

Distance From Ceiling (Feet)	3' From Wall; 3' O.C. (4000 lumens)		3' 6" From Wall; 3' 6" O.C. (4000 lumens)		4' From Wall; 4' O.C. (4000 lumens)	
	Below Fixture	Between Fixtures	Below Fixture	Between Fixtures	Below Fixture	Between Fixtures
1	21	19	15	13	21	19
2	27	26	19	18	28	26
3	30	28	22	20	31	30
4	27	27	21	21	32	31
5	22	22	19	19	30	31
6	18	17	16	15	27	27
7	14	14	13	13	23	22
8	11	11	11	10	19	19
9	9	9	8	8	16	16
10	7	7	7	7	13	13
11	6	6	6	6	11	11
12	5	5	5	5	9	9
13					8	8
14					7	7
15					6	6

This table lists initial illuminance values at the center of a row of at least 5 fixtures with no contribution from ceiling or floor reflectance. Fixtures were modeled with maximum candlepower at 10° to 15° above vertical.

CANDLEPOWER DISTRIBUTION



LUMINAIRE LIGHT OUTPUT AND EFFICACY

LED Module Type	Luminaire Light Output	Luminaire Efficacy (lms/watt)	System Wattage
1500 Lumens 97 CRI (L15A)	673*	48*	14
2100 Lumens 97 CRI (L21A)	928*	49*	19
2800 Lumens 97 CRI (L28A)	1255*	46*	27
3000 Lumens 97 CRI (L30A)	1401*	44*	32
1700 Lumens 90 CRI (L17H)	764*	55*	14
2300 Lumens 90 CRI (L23H)	1055*	56*	19
3100 Lumens 90 CRI (L31H)	1401*	52*	27
3400 Lumens 90CRI (L34H)	1564*	49*	32
1900 Lumens 80 CRI (L19S)	891*	64*	14
2700 Lumens 80 CRI (L27S)	1237*	65*	19
3600 Lumens 80 CRI (L36S)	1655*	61*	27
4000 Lumens 80 CRI (L40S)	1819	56	32

*estimated values