

ARTIMA®/3 W BLUETOOTH

track mounted wireless LED wallwasher



- **Luminaire is equipped with a Xicato XIM Gen4 LED module, an IOT device with embedded micro-processor and Bluetooth Low Energy chip, controllable via a smart device with iOS or Windows based apps. Features include**
 - standard Bluetooth Wireless connectivity
 - addressable individually
 - on/off control
 - dimming to 0.1%. Combination with integral rotary dimmer available as modification.
 - data collection and storage for power consumption and LED performance
 - direct listening to switches and sensors
 - embedded Eddystone, iBeacon and/or AltBeacon beacons
- **Luminaire may be configured to mount to any of eighteen 20-amp, 120-volt track systems** – or – to any of six 277-volt track systems.
- **The optical assembly consists of an aluminum reflector and a 40° x 70° spread lens.** In addition, the assembly can accept one of a number of optional [Optical Accessories](#) including color filters and screens. Assembly is keyed relative to luminaire housing, to retain critical lens orientation.
- **Luminaire provides 385° rotation and 90° vertical adjustment.** Focus can be locked by tightening two collar clamps using a 3/32" hex key.
- **For more information, [click here](#).**

For the outlet box mounted version of luminaire, see [Artima/3 W-OBM Bluetooth](#).

Artima/3 W Bluetooth is a track mounted wallwasher powered by one of a number of Xicato XIM (19mm) LED modules, all of which are distinguished by extraordinary color consistency (within 1x2-step MacAdam ellipse). See tables below for wattages and efficacies.

PRODUCT CODE

For complete product code, list basic unit and select one item from each following box.

Basic Unit A3-XIM-W

Track Configuration
 120-volt track (e.g. SightLine) 2C
 277-volt track (e.g. HighLine) no switch; not dimmable HC

Finish
 white: white paint, white lead cord, matte aluminum heat sink WH
 black: black paint, black lead cord, black heat sink BL
 Industrial Silver: silver paint, black lead cord, black heat sink SI
 custom color: include paint number or physical chip with order and select one from below
 • white lead cord, matte aluminum heat sink CCW
 • black lead cord, black heat sink CCB
 • any other combinations require a special order

Light Source Output (Lumens)
 1300 lumens / CRI 98 Artist L13A
 1300 lumens / CRI 80+ standard L13S
 1300 lumens / CRI 80+ Vibrant 3000K only L13V
 2000 lumens / CRI 98 Artist L20A
 2000 lumens / CRI 80+ standard L20S
 2000 lumens / CRI 80+ Vibrant 3000K only L20V
 2700 lumens / CRI 80+ standard L27S
 2700 lumens / CRI 80+ Vibrant 3000K only L27V

Light Color
 2700 K 27K
 3000 K 30K
 3500 K 35K
 4000 K 40K

Circuit Limitations
 Luminaire operates only on track circuits with no dimmer on the circuit

► For luminaires modified for 50A or 60A track systems, contact factory.

Fixture Spacing Requirements The track adapter of this fixture is 6 3/8" long. For this reason 1) it cannot be track-mounted closer than 6 5/8" on center and 2) it cannot be used with 2 of our 7 **Unicep** single-fixture track units.

USB Key
 To address this fixture from a Windows-based PC, laptop or tablet, a USB key (dongle) is required. Contact factory for USB key.

OPTICAL ACCESSORIES ▼ See next page



41-50 22ND STREET, LIC NY 11101 TEL 718.685.0700 FAX 718.786.8530 www.epl.com

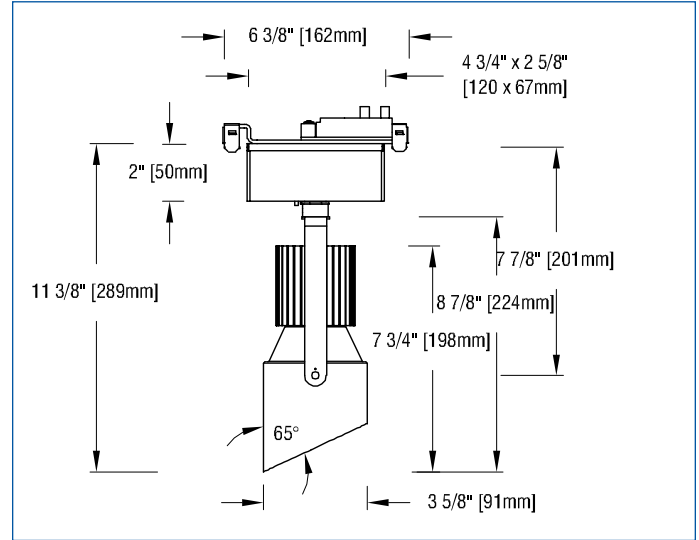
©Copyright, Edison Price Lighting 2019
 Artima is a registered trademark of Edison Price Lighting. TF 11-164 4:19

OPTICAL ACCESSORIES

Specify as separate line items; only for use with one of the above.

All are 2 3/4" (70mm) diameter. Lenses and filters are glass; screens are aluminum.

| | |
|--|----------------|
| 40° x 70° spread lens (included with fixture) | LENS/2.75-4070 |
| color filters | |
| Daylight Blue | DAY/2.75 |
| Surprise Pink | PNK/2.75 |
| amber | AMB/2.75 |
| blue | BLU/2.75 |
| green | GRN/2.75 |
| red | RED/2.75 |
| 33% light reduction screen | SCR33/2.75 |
| 50% light reduction screen | SCR50/2.75 |



APPLICATIONS

Luminaire is suitable for highlighting vertical surfaces in museums, galleries, showrooms, residences, offices and stores.

Luminaire is listed for mounting on Edison Price Lighting 120-volt or 277-volt track.

– see below for photometric reports –



ARTIMA/3 W BLUETOOTH



PHOTOMETRIC REPORT (tested per IESNA LM-79-2008)

Prorated from Verification Services Report No. 1164145. Original test report furnished upon request.

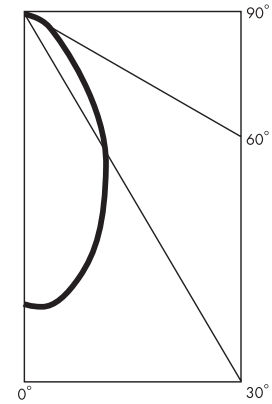
Luminaire track-mounted LED wallwasher with a 60° internal reflector, a 40° x 70° spread lens and a specular hammer tone kicker reflector.
 Lamp Xicato XIM (19mm) LED Module, 2000 lumens, 3000K, 80 CRI
 Lamp Life rated 50.000 hours based on L70/B50 criteria. LM80 report by LED manufacturer furnished upon request

WALLWASH INFORMATION

| Distance From Ceiling (Feet) | 3' From Wall; 3' O.C. (2100 lumens) | | 3' 6" From Wall; 3' 6" O.C. (2100 lumens) | | 4' From Wall; 4' O.C. (2700 lumens) | |
|------------------------------|--|------------------|--|------------------|--|------------------|
| | Below Fixture | Between Fixtures | Below Fixture | Between Fixtures | Below Fixture | Between Fixtures |
| 1 | 17 | 15 | 14 | 12 | 10 | 10 |
| 2 | 29 | 25 | 21 | 18 | 16 | 14 |
| 3 | 32 | 30 | 26 | 23 | 20 | 18 |
| 4 | 29 | 29 | 25 | 25 | 20 | 20 |
| 5 | 26 | 25 | 22 | 22 | 20 | 20 |
| 6 | 21 | 20 | 19 | 19 | 18 | 18 |
| 7 | 17 | 16 | 16 | 15 | 16 | 15 |
| 8 | 13 | 13 | 13 | 12 | 13 | 13 |
| 9 | 10 | 10 | 10 | 10 | 11 | 11 |
| 10 | 9 | 9 | 9 | 9 | 10 | 10 |
| 11 | 7 | 7 | 7 | 7 | 9 | 9 |
| 12 | 6 | 6 | 6 | 6 | 8 | 8 |
| 13 | | | | | 7 | 7 |
| 14 | | | | | 6 | 6 |
| 15 | | | | | 5 | 5 |

This table lists initial illuminance values at the center of a row of at least 5 fixtures with no contribution from ceiling or floor reflectance. Fixtures were modeled with maximum candlepower at 10° to 15° above vertical.

CANDLEPOWER DISTRIBUTION



STANDARD DRIVER INFORMATION (UL Class 2, dry and damp location)

| Voltage | 120 | 277 |
|---|---------------------|---------------------|
| Input Watts (1300A/2000A/1300S&V/2000S&V/2700S&V lumens) | 19/32/15/24/32 | 19/32/15/24/32 |
| Input Current(A) (1300A/2000A/1300S&V/2000S&V/2700S&V lumens) | .16/.27/.13/.20/.27 | .07/.12/.05/.09/.12 |
| Min. Power Factor | 0.90 | 0.90 |
| Operating Temperature Range (F) | -13 to 122 | -13 to 122 |

LIGHT OUTPUT MULTIPLIER

| LED Module Type | Light Output Multiplier |
|--------------------------------|-------------------------|
| 1300 Lumens Artist | .65* |
| 2000 Lumens Artist | 1 |
| 1300 Lumens standard & Vibrant | .65* |
| 2000 Lumens standard & Vibrant | 1 |
| 2700 Lumens standard & Vibrant | 1.33* |

*estimated values

LUMINAIRE LIGHT OUTPUT AND EFFICACY

| LED Module Type | Luminaire Light Output | Luminaire Efficacy (lms/watt) | System Wattage |
|--------------------------------|------------------------|-------------------------------|----------------|
| 1300 Lumens Artist | 647* | 33* | 19 |
| 2000 Lumens Artist | 995* | 31* | 32 |
| 1300 Lumens standard & Vibrant | 647* | 43* | 15 |
| 2000 Lumens standard & Vibrant | 995* | 42* | 24 |
| 2700 Lumens standard & Vibrant | 1319* | 41* | 32 |

*estimated values