

Project

Type



Date

Product Code

Designer

ARTIMA®/3 W BLUETOOTH

track mounted wireless LED wallwasher



- **Luminaire is equipped with a Xicato XIM Gen4 LED module, an IOT device with embedded micro-processor and Bluetooth Low Energy chip, controllable via a smart device with iOS or Windows based apps. Features include**
 - standard Bluetooth Wireless connectivity
 - addressable individually
 - on/off control
 - dimming to 0.1%. Combination with integral rotary dimmer available as modification.
 - data collection and storage for power consumption and LED performance
 - direct listening to switches and sensors
 - embedded Eddystone, iBeacon and/or AltBeacon beacons
- **Luminaire may be configured to mount to any of eighteen 20-amp, 120-volt track systems** – or – to any of six 277-volt track systems.
- **The optical assembly consists of an aluminum reflector and a 40° x 70° spread lens.** In addition, the assembly can accept one of a number of optional **Optical Accessories** including color filters and screens. Assembly is keyed relative to luminaire housing, to retain critical lens orientation.
- **Luminaire provides 385° rotation and 90° vertical adjustment.** Focus can be locked by tightening two collar clamps using a 3/32" hex key.
- **For more information, [click here](#).**

For the outlet box mounted version of luminaire, see **Artima/3 W-OBM Bluetooth**.

Fixture Spacing Requirements The track adapter of this fixture is 7 3/4" long. For this reason 1) it cannot be track-mounted closer than 8" on center and 2) it cannot be used with 2 of our 7 **Unicep** single-fixture track units.

USB Key
To address this fixture from a Windows-based PC, laptop or tablet, a USB key (dongle) is required. Contact factory for USB key.

Artima/3 W Bluetooth is a track mounted wallwasher powered by one of a number of Xicato XIM (19mm) LED modules, all of which are distinguished by extraordinary color consistency (within 1x2-step MacAdam ellipse). See tables below for wattages and efficacies.

PRODUCT CODE

For complete product code, list basic unit and select one item from each following box.

Basic Unit A3-XIM-W

Track Configuration

120-volt track (e.g. SightLine) - 2C
 277-volt track (e.g. HighLine) no switch; not dimmable - HC

Finish

white: white paint, white lead cord, matte aluminum heat sink - WH
 black: black paint, black lead cord, black heat sink - BL
 Industrial Silver: silver paint, black lead cord, black heat sink - SI
 custom color: include paint number or physical chip with order and select one from below

- white lead cord, matte aluminum heat sink - CCW
- black lead cord, black heat sink - CCB
- any other combinations require a special order

Light Source Output (Lumens)

1300 lumens / CRI 98 Artist - L13A
 1300 lumens / CRI 80+ standard - L13S
 1300 lumens / CRI 80+ Vibrant 3000K only - L13V
 2000 lumens / CRI 98 Artist - L20A
 2000 lumens / CRI 80+ standard - L20S
 2000 lumens / CRI 80+ Vibrant 3000K only - L20V
 2700 lumens / CRI 80+ standard - L27S
 2700 lumens / CRI 80+ Vibrant 3000K only - L27V

Light Color

2700 K - 27K
 3000 K - 30K
 3500 K - 35K
 4000 K - 40K

Circuit Limitations
 Luminaire operates only on track circuits with no dimmer on the circuit

► For luminaires modified for 50A or 60A track systems, contact factory.

OPTION

Integral Dimmer: rotary dimmer located in side of driver case; dims to 1% on 120 or 277 volt track; see detail below - ID

OPTICAL ACCESSORIES ▼ See next page



41-50 22ND STREET, LIC NY 11101 TEL 718.685.0700 FAX 718.786.8530 www.epl.com

©Copyright, Edison Price Lighting 2019
Artima is a registered trademark of Edison Price Lighting.

TF 11-164 6:19

INTEGRAL DIMMER OPTION (ID)

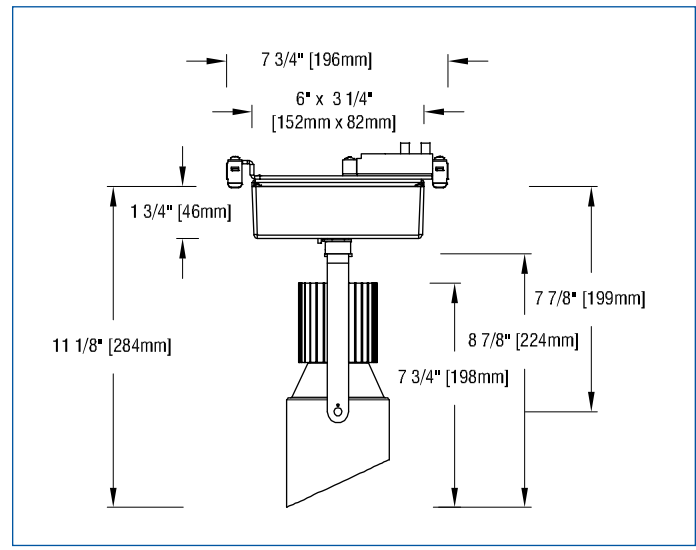
Integral rotary dimmer located in one side of the driver case: Dimmer control shaft is spring loaded, permitting shaft to be exposed for adjustment then depressed flush to conserve dimmer setting. "Clock face" markings permit registration of dimmer setting.



OPTICAL ACCESSORIES

Specify as separate line items.
All are 2 3/4" (70mm) diameter. Lenses and filters are glass; screens are aluminum.

40° x 70° spread lens (included with fixture)	LENS/2.75-4070
color filters	
Daylight Blue	DAY/2.75
Surprise Pink	PNK/2.75
amber	AMB/2.75
blue	BLU/2.75
green	GRN/2.75
red	RED/2.75
33% light reduction screen	SCR33/2.75
50% light reduction screen	SCR50/2.75



APPLICATIONS

Luminaire is suitable for highlighting vertical surfaces in museums, galleries, showrooms, residences, offices and stores.

Luminaire is listed for mounting on Edison Price Lighting 120-volt or 277-volt track.

– see below for photometric reports –



ARTIMA/3 W BLUETOOTH



PHOTOMETRIC REPORT (tested per IESNA LM-79-2008)

Prorated from Verification Services Report No. 1164145. Original test report furnished upon request.

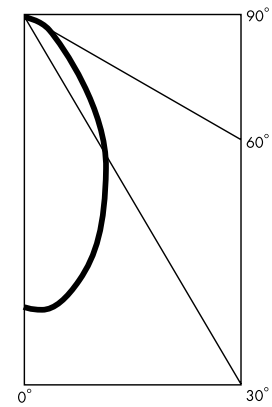
Luminaire track-mounted LED wallwasher with a 60° internal reflector, a 40° x 70° spread lens and a specular hammer tone kicker reflector.
 Lamp Xicato XIM (19mm) LED Module, 2000 lumens, 3000K, 80 CRI
 Lamp Life rated 50.000 hours based on L70/B50 criteria. LM80 report by LED manufacturer furnished upon request

WALLWASH INFORMATION

Distance From Ceiling (Feet)	3' From Wall; 3' O.C. (2100 lumens)		3' 6" From Wall; 3' 6" O.C. (2100 lumens)		4' From Wall; 4' O.C. (2700 lumens)	
	Below Fixture	Between Fixtures	Below Fixture	Between Fixtures	Below Fixture	Between Fixtures
1	17	15	14	12	10	10
2	29	25	21	18	16	14
3	32	30	26	23	20	18
4	29	29	25	25	20	20
5	26	25	22	22	20	20
6	21	20	19	19	18	18
7	17	16	16	15	16	15
8	13	13	13	12	13	13
9	10	10	10	10	11	11
10	9	9	9	9	10	10
11	7	7	7	7	9	9
12	6	6	6	6	8	8
13					7	7
14					6	6
15					5	5

This table lists initial illuminance values at the center of a row of at least 5 fixtures with no contribution from ceiling or floor reflectance. Fixtures were modeled with maximum candlepower at 10° to 15° above vertical.

CANDLEPOWER DISTRIBUTION



STANDARD DRIVER INFORMATION (UL Class 2, dry and damp location)

Voltage	120	277
Input Watts (1300A/2000A/1300S&V/2000S&V/2700S&V lumens)	19/32/15/24/32	19/32/15/24/32
Input Current(A) (1300A/2000A/1300S&V/2000S&V/2700S&V lumens)	.16/.27/.13/.20/.27	.07/.12/.05/.09/.12
Min. Power Factor	0.90	0.90
Operating Temperature Range (F)	-13 to 122	-13 to 122

LIGHT OUTPUT MULTIPLIER

LED Module Type	Light Output Multiplier
1300 Lumens Artist	.65*
2000 Lumens Artist	1
1300 Lumens standard & Vibrant	.65*
2000 Lumens standard & Vibrant	1
2700 Lumens standard & Vibrant	1.33*

*estimated values

LUMINAIRE LIGHT OUTPUT AND EFFICACY

LED Module Type	Luminaire Light Output	Luminaire Efficacy (lms/watt)	System Wattage
1300 Lumens Artist	647*	33*	19
2000 Lumens Artist	995*	31*	32
1300 Lumens standard & Vibrant	647*	43*	15
2000 Lumens standard & Vibrant	995*	42*	24
2700 Lumens standard & Vibrant	1319*	41*	32

*estimated values