

Project

Date Product Code

Type

Designer



ARTIMA®/3 XTM W

track mounted LED wallwasher



Artima/3 W is a track mounted wallwasher powered by one of a number of Xicato LED modules – including Artist Series and Vibrant Series modules – all of which are distinguished by extraordinary color consistency (within 1x2-step MacAdam ellipse). See tables below for wattages and efficacies.

PRODUCT CODE

For complete product code, list basic unit and select one item from each following box.

Basic UnitA3-XTM-W

Driver
 dimmable to 10% (see Light Output box below) with electronic low voltage (ELV) dimmer on 120-volt track only; seamless driver case, pictured, measures 7" x 2" x 1 5/8" - DME
 dimmable to 5% (see Light Output box below) with either incandescent or ELV dimmer on 120-volt track only, seamless driver case, pictured, measures 7" x 2" x 1 5/8" - DMP
 dimmable to 1% with a Lutron® incandescent dimmer on 120-volt track only, seamless driver case measures 5 3/4" x 3 5/8" x 1 5/8" - DMI-LU

For a model that dims wirelessly, see [Artima/3 XTM W Bluetooth](#)

Track Configuration
 120-volt track (e.g. SightLine) - 2C
 277-volt track (e.g. HighLine)no switch; not dimmable - HC

Light Source Output (Lumens)

1300L / CRI 98 ArtistDMP(5%) - L13A
2100L / CRI 98DMP(5%) - L21A
3000L / CRI 98DME(10%) - L30A
1500L / CRI 90 DesignerDMP(5%) - L15H
2100L / CRI 90DMP(5%) - L21H
3000L / CRI 90DMP(5%) - L30H
3500L / CRI 90DME(10%) - L35H
1500L / CRI 80+ VibrantDMP(5%) - L15V
2100L / CRI 80+DMP(5%) - L21V
3000L / CRI 80+DMP(5%) - L30V
3500L / CRI 80+DME(10%) - L35V
3900L / CRI 80+DME(10%) - L39V
1500L / CRI 80+ standardDMP(5%) - L15S
2100L / CRI 80+DMP(5%) - L21S
3000L / CRI 80+DMP(5%) - L30S
3500L / CRI 80+DME(10%) - L35S
3900L / CRI 80+DME(10%) - L39S

Vibrant available in 3000K only Designer available in 2000K or 3000K

Light Color

2700 K	- 27K
3000 K	- 30K
3500 K	- 35K
4000 K	- 40K

Finish
 white: white paint, white lead cord, matte aluminum heat sink; white switch - WH
 black: black paint, black lead cord, black heat sink; black switch - BL
 Industrial Silver: silver paint, black lead cord, black heat sink; black switch - SI
 custom color: include paint number or physical chip with order and select one from below
 • white lead cord, matte aluminum heat sink; white switch - CCW
 • black lead cord, black heat sink; black switch - CCB
 • any other combinations require a special order

- Luminaire may be configured to mount to any of eighteen 20-amp, 120-volt track systems – or – to any of six 277-volt track systems.
- Luminaire may be ordered with one of a number of drivers. An on-off rocker switch, mounted in the driver case, is included standard on luminaires equipped for 120-volt track only.
- The optical assembly for Artima/3 W consists of an aluminum reflector and a 40° x 70° spread lens. In addition, the assembly can accept one of a number of optional [Optical Accessories](#) including color filters and screens. Assembly is keyed relative to luminaire housing, to retain critical lens orientation.
- Luminaire provides 385° horizontal rotation and vertical adjustment from 0° to 90°. Lamp focus can be locked by tightening two collar clamps using a 3/32" hex key.
- For more information, [click here](#).

For an outlet box mounted model, see [Artima/3 XTM W-OBM](#)

► For luminaires modified for 50A or 60A track systems, contact factory.

OPTICAL ACCESSORIES ▼ See next page



OPTICAL ACCESSORIES

Specify as separate line items; only for use with one of the above.

All are 2 3/4" (70mm) diameter. Lenses and filters are glass; screens are aluminum.

40° x 70° spread lens (included with fixture) LENS/2.75-4070

color filters

Daylight Blue DAY/2.75

Surprise Pink PNK/2.75

amber AMB/2.75

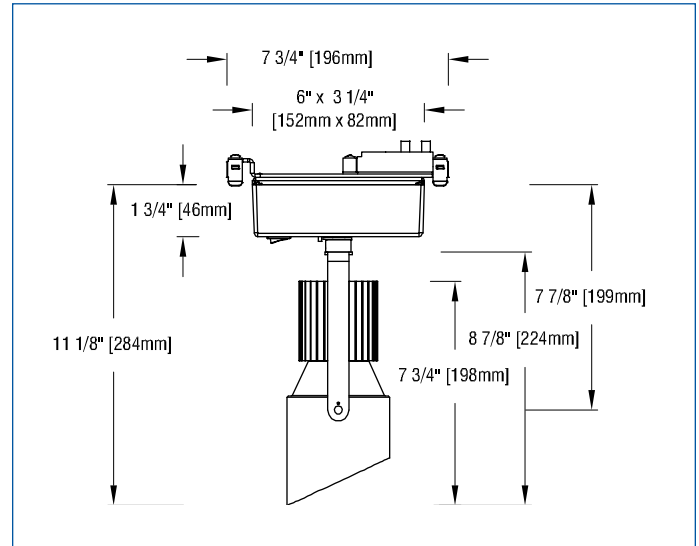
blue BLU/2.75

green GRN/2.75

red RED/2.75

33% light reduction screen SCR33/2.75

50% light reduction screen SCR50/2.75



APPLICATIONS

Luminaire is suitable for highlighting vertical surfaces in museums, galleries, showrooms, residences, offices and stores.

Luminaire is listed for mounting on Edison Price Lighting 120-volt or 277-volt track.

Fixture Spacing Requirements The track adapter of this fixture is 7 3/4" long. For this reason 1) it cannot be track-mounted closer than 8" on center and 2) it cannot be used with 2 of our 7 **Unicep** single-fixture track units.

– see below for photometric reports –



PHOTOMETRIC REPORT (tested per IESNA LM-79-2008)

Prorated from Verification Services Report No. 1164145. Original test report furnished upon request.

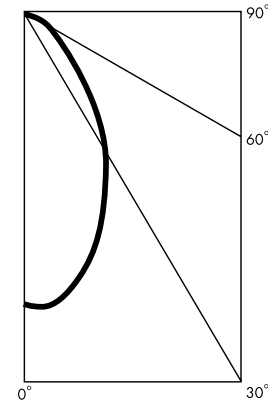
Luminaire track-mounted LED wallwasher with a 60° internal reflector, a 40° x 70° spread lens and a specular hammer tone kicker reflector.
 Lamp Xicato XTM LED Module, 2100 lumens, 3000K
 Lamp Life rated 50,000 hours based on L70/B50 criteria. LM80 report by LED manufacturer furnished upon request

WALLWASH INFORMATION

Distance From Ceiling (Feet)	3' From Wall; 3' O.C. (2100 lumens)		3' 6" From Wall; 3' 6" O.C. (2100 lumens)		4' From Wall; 4' O.C. (3900 lumens)	
	Below Fixture	Between Fixtures	Below Fixture	Between Fixtures	Below Fixture	Between Fixtures
1	18	16	15	13	21	18
2	30	26	22	19	31	26
3	34	32	27	24	37	33
4	31	31	26	26	36	35
5	27	26	23	23	33	33
6	22	21	20	20	30	29
7	18	17	17	16	26	25
8	14	14	14	13	22	21
9	11	11	11	11	18	18
10	9	9	9	9	15	15
11	7	7	7	7	13	13
12	6	6	6	6	11	11
13					9	9
14					8	8
15					7	7

This table lists initial illuminance values at the center of a row of at least 5 fixtures with no contribution from ceiling or floor reflectance. Fixtures were modeled with maximum candlepower at 10° to 15° above vertical.

CANDLEPOWER DISTRIBUTION



LUMINAIRE LIGHT OUTPUT AND EFFICACY

LED Module Type	Luminaire Light Output	Luminaire CBCP	Luminaire Efficacy (lms/watt)	System Wattage
1300 Lumens Artist	660*	718*	39*	17
2100 Lumens Artist	1057*	1151*	42*	25
3000 Lumens Artist	1455*	1585*	39*	37
1500 Lumens Designer	775*	844*	46*	17
2100 Lumens Designer	1047*	1140*	50*	21
3000 Lumens Designer	1476*	1607*	49*	30
3500 Lumens Designer	1675*	1824*	45*	37
1500 Lumens standard & Vibrant	785*	855*	56*	14
2100 Lumens standard & Vibrant	1047	1140	50	21
3000 Lumens standard & Vibrant	1476*	1607*	48*	31
3500 Lumens standard & Vibrant	1707*	1858*	52*	33
3900 Lumens standard & Vibrant	1864*	2029*	50*	37

*estimated values

LIGHT OUTPUT MULTIPLIER

LED Module Type	Light Output Multiplier
1300 Lumens Artist	.63*
2100 Lumens Artist	1.01*
3000 Lumens Artist	1.39*
1500 Lumens Designer	.74*
2100 Lumens Designer	1*
3000 Lumens Designer	1.41*
3500 Lumens Designer	1.6*
1500 Lumens standard & Vibrant	.75*
2100 Lumens standard & Vibrant	1
3000 Lumens standard & Vibrant	1.41*
3500 Lumens standard & Vibrant	1.63*
3900 Lumens standard & Vibrant	1.78*

*estimated values

STANDARD DRIVER INFORMATION (UL Class 2, dry and damp location)

Voltage	120	277
Input Watts (1300A/2100A/3000A/1500H/2100H/3000H/3500H/1500S&V/2100S&V/3000S&V/3500S&V/3900S&V lumens)	17/25/37/17/21/30/37/14/21/31/33/37	17/25/37/17/21/30/37/14/21/31/33/37
Input Current(A) (1300A/2100A/3000A/1500H/2100H/3000H/3500H/1500S&V/2100S&V/3000S&V/3500S&V/3900S&V lumens)	.14/.21/.31/.14/.18/.25/.31/.12/.18/.26/.28/.31	.06/.09/.13/.06/.08/.11/.13/.05/.08/.11/.12/.13
Output Current (mA)	350-700	350-700
Min. Power Factor	0.90	0.90
Operating Temperature Range (F)	-13 to 122	-13 to 122