

Project

Type



Date

Product Code

Designer

ARTIMA®/3 NSP BLUETOOTH

track mounted wireless LED spotlight



Artima/3 NSP Bluetooth with Ring Baffle (OG)

Artima/3 NSP Bluetooth with Open Aperture (OH)

- **Luminaire is equipped with a Xicato XIM Gen4 LED module**, an IOT device with embedded micro-processor and Bluetooth Low Energy chip, controllable via a smart device with iOS or Windows based apps. Features include
 - standard Bluetooth Wireless connectivity
 - addressable individually
 - on/off control
 - dimming to 0.1%. Combination with integral rotary dimmer available as modification.
 - data collection and storage for power consumption and LED performance
 - direct listening to switches and sensors
 - embedded Eddystone, iBeacon and/or AltBeacon beacons
- **Fixtures may be configured to mount to any of eighteen 20-amp, 12-volt track systems** – or – to any of six 277-volt track systems.
- **Fixture function can be changed with your choice of Quick Change Cartridge** – which can be removed from the fixture easily – and your choice of ‘twist and lock’ [reflector](#).
- **Quick Change Cartridge / Reflector choices**
 - **Quick Change Cartridge with a ring baffle (OG)** for narrow spot control; for use with a 10° or 24° reflector.
 - **Quick Change Cartridge with an open aperture (OH)** for maximum efficacy; for use with a 10° or 24° reflector.
- **Fixture is provided with a single Quick Change Cartridge and a single reflector**. Additional Quick Change Cartridges and reflectors may be ordered as accessories.
- **Fixture may be ordered with one of a number of drivers**. An on-off rocker switch, mounted in the driver case, is included on 120-volt fixtures.
- **Optical Accessories**: Each Quick Change Cartridge accepts one or two of a number of spread lenses, color filters and screens. A complimentary Beam Smoother is included.
- Horizontal and vertical adjustment can be locked by tightening two collar clamps using a 3/32" hex key.
- **For more information, [click here](#).**

Artima/3 NSP Bluetooth is a track mounted spotlight powered by one of a number of 9mm Xicato LED modules. See tables below for wattages and efficacies.

PRODUCT CODE

For complete product code, list basic unit and select one item from each following box.

Basic Unit.....	A3-XIS
Track Configuration	
120-volt track (e.g. SightLine)	- 2C
277-volt track (e.g. HighLine)	no switch; not dimmable - HC
Quick Change Cartridge	
Ring Baffle.....	- OG
Open Aperture	- OH
Reflector (specify one to ship with fixture)	
10° narrow spot	- 10D
24° spot	- 24D
Light Source Output (Lumens)	
1300 lumens / CRI 98 Artist	- L13A
1300 lumens / CRI 80+ standard	- L13S
1300 lumens / CRI 80+ Vibrant	3000K only - L13V

Light Color	
2700 K	- 27K
3000 K	- 30K
3500 K	- 35K
4000 K	- 40K

Finish	
white: white paint, white lead cord, matte aluminum heat sink	- WH
black: black paint, black lead cord, black heat sink	- BL
Industrial Silver: silver paint, black lead cord, black heat sink	- SI
custom color: include paint number or physical chip with order and select one from below	
• white lead cord, matte aluminum heat sink	- CCW
• black lead cord, black heat sink	- CCB
• any other combinations require a special order	

Circuit Limitations	
Luminaire operates only on track circuits with <u>no</u> dimmer on the circuit	

OPTION

Integral Dimmer: rotary dimmer located in side of driver case; dims to 1% on 120 or 277 volt track; see detail below	- ID
---	------

EXTRA REFLECTORS & CARTRIDGES

Specify as separate line items.

Reflector	
10° spot reflector	XTS-REF10-72
24° spot reflector	XTS-REF24-70

Quick Change Cartridge	
Ring Baffle.....	A3-XTM-OG
Open Aperture	A3-XTM-OH

OPTICAL ACCESSORIES ▼ See next page

For the outlet box mounted version, see [Artima/3 NSP-OBM Bluetooth](#).



INTEGRAL DIMMER OPTION (ID)

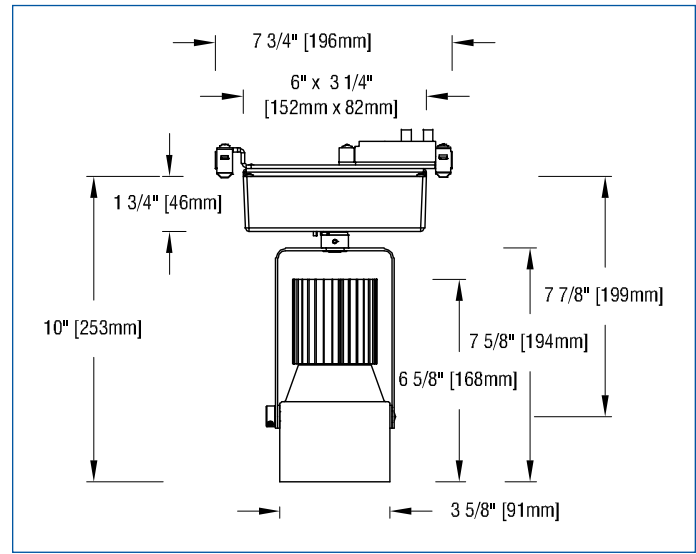
Integral rotary dimmer located in one side of the driver case: Dimmer control shaft is spring loaded, permitting shaft to be exposed for adjustment then depressed flush to conserve dimmer setting. "Clock face" markings permit registration of dimmer setting.



OPTICAL ACCESSORIES

Suitable for use only with 'OG' and 'OH' models.
Specify as separate line items.
All are 2 3/4" (70mm) dia. Lenses and filters are glass; screens are aluminum.

- diffuse glass DGS/2.75
- prismatic lens (Solite) PLS/2.75
- 55° spread lens LENS/2.75
- 40° x 70° spread lens LENS/2.75-4070
- beam smoother included with fixture CLR/2.75
- color filters
- Daylight Blue DAY/2.75
- Surprise Pink PNK/2.75
- amber AMB/2.75
- blue BLU/2.75
- green GRN/2.75
- red RED/2.75
- 33% light reduction screen SCR33/2.75
- 50% light reduction screen SCR50/2.75



BARN DOORS

Specify as separate line items.
Specify with one optical accessory (not included), see above.

- white BD-A3-WH
- black BD-A3-BL
- silver BD-A3-SI
- custom color BD-A3-CC

APPLICATIONS

Luminaire is suitable for spotlighting objects in museums, galleries, showrooms, residences, offices and stores.

Luminaire is listed for mounting on Edison Price Lighting 120-volt or 277-volt track.

USB Key
To address this fixture from a Windows-based PC, laptop or tablet, a USB key (dongle) is required. Contact factory for USB key.

Fixture Spacing Requirements The track adapter of this fixture is 7 3/4" long. For this reason 1) it cannot be track-mounted closer than 8" on center and 2) it cannot be used with 2 of our 7 Unicep single-fixture track units.

– see below for photometric reports –



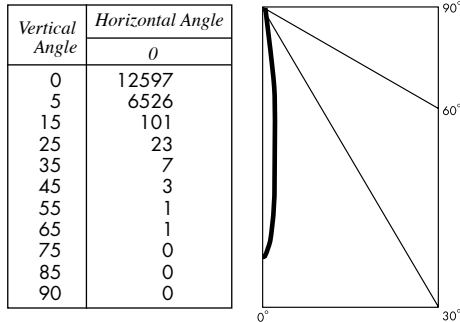
PHOTOMETRIC REPORT with 10° reflector (tested per IESNA LM-79-2008)

Prorated from Verification Services Report No. 1222997. Original test report furnished upon request.

Luminaire track-mounted LED accent light with a 10° reflector and black ring-baffle (NO LENS)
 Lamp Xicato 9mm XIM LED Module, 1300 lumens, 3000K, 80 CRI
 Lamp Life rated 50.000 hours based on L70/B50 criteria. LM80 report by LED manufacturer furnished upon request



CANDLEPOWER DISTRIBUTION



LUMINAIRE LIGHT OUTPUT AND EFFICACY

LED Module Type	Luminaire Light Output	Luminaire CBCP	Luminaire Efficacy (lms/watt)	System Wattage
1300 Lumens Artist	500*	12,597*	16*	32
1300 Lumens standard & Vibrant	500*	12,597*	26*	19

*estimated values

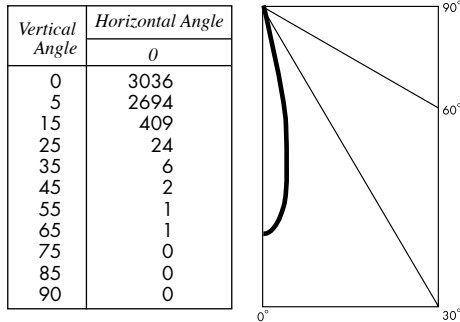
PHOTOMETRIC REPORT with 24° reflector (tested per IESNA LM-79-2008)

Prorated from Verification Services Report No. 1222998. Original test report furnished upon request.

Luminaire track-mounted LED accent light with a 24° reflector and black ring-baffle (NO LENS)
 Lamp Xicato 9mm XIM LED Module, 1300 lumens, 3000K, 80 CRI
 Lamp Life rated 50.000 hours based on L70/B50 criteria. LM80 report by LED manufacturer furnished upon request



CANDLEPOWER DISTRIBUTION



LUMINAIRE LIGHT OUTPUT AND EFFICACY

LED Module Type	Luminaire Light Output	Luminaire CBCP	Luminaire Efficacy (lms/watt)	System Wattage
1300 Lumens Artist	373*	3036*	12*	32
1300 Lumens standard & Vibrant	373*	3036*	19*	19

*estimated values

STANDARD DRIVER INFORMATION (UL Class 2, dry and damp location)

Voltage	120	277
Input Watts (L13A/L13S&V)	32/19	32/19
Input Current(A) (L13A/L13S&V)	.26/.16	.11/.07
Min. Power Factor	.99	.99
Operating Temperature Range (F)	-13 to 122	-13 to 122

LIGHT OUTPUT MULTIPLIER

LED Module Type	Light Output Multiplier
1300 Lumens Artist	1
1300 Lumens standard & Vibrant	1

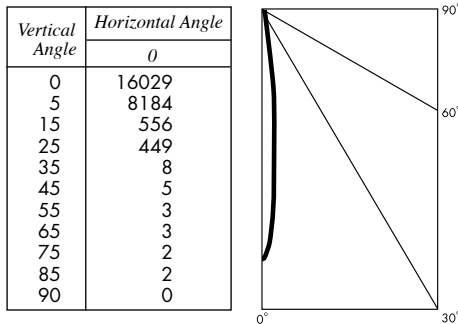
PHOTOMETRIC REPORT with 10° reflector (tested per IESNA LM-79-2008)

Prorated from Verification Services Report No. 1222995. Original test report furnished upon request.

Luminaire track-mounted LED accent light with 10° reflector and black lens holder (NO LENS)
 Lamp Xicato 9mm XIM LED Module, 1300 lumens, 80 CRI, 3000K
 Lamp Life Rated 50,000 hours based on L70/B50 criteria. LM80 report by LED manufacturer furnished upon request



CANDLEPOWER DISTRIBUTION



LUMINAIRE LIGHT OUTPUT AND EFFICACY

LED Module Type	Luminaire Light Output	Luminaire CBCP	Luminaire Efficacy (lms/watt)	System Wattage
1300 Lumens standard/vbrant	924*	16029*	48*	19
1300 Lumens Artist	924*	16029*	29*	32

*estimated values

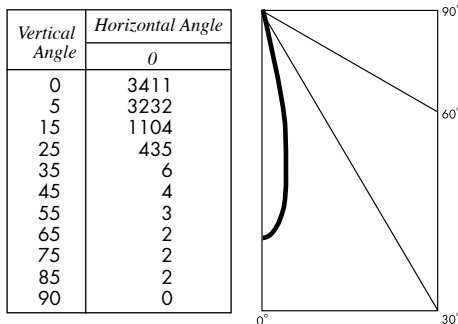
PHOTOMETRIC REPORT with 24° reflector (tested per IESNA LM-79-2008)

Prorated from Verification Services Report No. 122996. Original test report furnished upon request.

Luminaire track-mounted LED accent light with 24° reflector and black lens holder (NO LENS)
 Lamp Xicato 9mm XIS LED Module, 1300 lumens, 80 CRI, 3000K
 Lamp Life Rated 50,000 hours based on L70/B50 criteria. LM80 report by LED manufacturer furnished upon request



CANDLEPOWER DISTRIBUTION



LUMINAIRE LIGHT OUTPUT AND EFFICACY

LED Module Type	Luminaire Light Output	Luminaire CBCP	Luminaire Efficacy (lms/watt)	System Wattage
1300 Lumens Standard/Vibrant	825*	3411*	43*	19
1300 Lumens Artist	825*	3411*	26*	32

*estimated values

STANDARD DRIVER INFORMATION (UL Class 2, dry and damp location)

Voltage	120	277
Input Watts (L13A/L13S&V)	32/19	32/19
Input Current(A) (L13A/L13S&V)	.26/.16	.11/.07
Min. Power Factor	.99	.99
Operating Temperature Range (F)	-13 to 122	-13 to 122

LIGHT OUTPUT MULTIPLIER

LED Module Type	Light Output Multiplier
1300 Lumens Artist	1
1300 Lumens standard & Vibrant	1