

Project

Type



Date

Product Code

Designer

# ARTIMA®/3 NSP BLUETOOTH

track mounted wireless LED spotlight



Artima/3 NSP Bluetooth with Ring Baffle (OG)

Artima/3 NSP Bluetooth with Open Aperture (OH)

- **Luminaire is equipped with a Xicato XIM Gen4 LED module**, an IOT device with embedded micro-processor and Bluetooth Low Energy chip, controllable via a smart device with iOS or Windows based apps. Features include
  - standard Bluetooth Wireless connectivity
  - addressable individually
  - on/off control
  - dimming to 0.1%. Combination with integral rotary dimmer available as modification.
  - data collection and storage for power consumption and LED performance
  - direct listening to switches and sensors
  - embedded Eddystone, iBeacon and/or AltBeacon beacons
- **Fixtures may be configured to mount to any of eighteen 20-amp, 12-volt track systems** – or – to any of six 277-volt track systems.
- **Fixture function can be changed with your choice of Quick Change Cartridge** – which can be removed from the fixture easily – and your choice of ‘twist and lock’ [reflector](#).
- **Quick Change Cartridge / Reflector choices**
  - **Quick Change Cartridge with a ring baffle (OG)** for narrow spot control; for use with a 10° or 24° reflector.
  - **Quick Change Cartridge with an open aperture (OH)** for maximum efficacy; for use with a 10° or 24° reflector.
- **Fixture is ordered with a single Quick Change Cartridge and a single reflector**. Additional Quick Change Cartridges and reflectors may be ordered as accessories.
- **Fixture may be ordered with one of a number of drivers**. An on-off rocker switch, mounted in the driver case, is included on 120-volt fixtures.
- **Optical Accessories**: Each Quick Change Cartridge accepts one or two of a number of spread lenses, color filters and screens. A complimentary Beam Smoother is included.
- Horizontal and vertical adjustment can be locked by tightening two collar clamps using a 3/32" hex key.
- **For more information, [click here](#).**

Artima/3 NSP Bluetooth is a track mounted spotlight powered by one of a number of 9mm Xicato LED modules. See tables below for wattages and efficacies.

## PRODUCT CODE

For complete product code, list basic unit and select one item from each following box.

<b>Basic Unit</b> .....	A3-XIS
<b>Track Configuration</b>	
120-volt track (e.g. SightLine) .....	- 2C
277-volt track (e.g. HighLine) .....	no switch; not dimmable - HC
<b>Quick Change Cartridge</b>	
Ring Baffle.....	- OG
Open Aperture .....	- OH
<b>Reflector (specify one to ship with fixture)</b>	
10° narrow spot .....	- 10D
24° spot .....	- 24D
<b>Light Source Output (Lumens)</b>	
1300 lumens / CRI 98 Artist .....	- L13A
1300 lumens / CRI 80+ standard .....	- L13S
1300 lumens / CRI 80+ Vibrant .....	3000K only - L13V

<b>Light Color</b>	
2700 K .....	- 27K
3000 K .....	- 30K
3500 K .....	- 35K
4000 K .....	- 40K

<b>Finish</b>	
white: white paint, white lead cord, matte aluminum heat sink .....	- WH
black: black paint, black lead cord, black heat sink .....	- BL
Industrial Silver: silver paint, black lead cord, black heat sink .....	- SI
custom color: include paint number or physical chip with order and select one from below	
• white lead cord, matte aluminum heat sink .....	- CCW
• black lead cord, black heat sink .....	- CCB
• any other combinations require a special order	

<b>Circuit Limitations</b>	
Luminaire operates only on track circuits with <u>no</u> dimmer on the circuit	

## OPTION

<b>Integral Dimmer:</b> rotary dimmer located in side of driver case; dims to 1% on 120 or 277 volt track; see detail below .....	- ID
---	------

## EXTRA REFLECTORS & CARTRIDGES

Specify as separate line items.

<b>Reflector</b>	
10° spot reflector .....	XTS-REF10-72
24° spot reflector .....	XTS-REF24-70

<b>Quick Change Cartridge</b>	
Ring Baffle.....	A3-XTM-OG
Open Aperture .....	A3-XTM-OH

## OPTICAL ACCESSORIES ▼ See next page

For the outlet box mounted version, see [Artima/3 NSP-OBM Bluetooth](#).



## INTEGRAL DIMMER OPTION (ID)

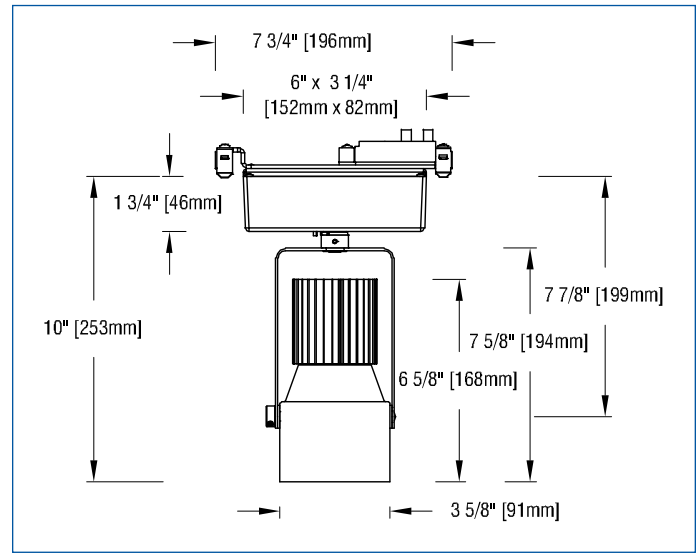
Integral rotary dimmer located in one side of the driver case: Dimmer control shaft is spring loaded, permitting shaft to be exposed for adjustment then depressed flush to conserve dimmer setting. "Clock face" markings permit registration of dimmer setting.



### OPTICAL ACCESSORIES

*Suitable for use only with 'OG' and 'OH' models.  
Specify as separate line items.  
All are 2 3/4" (70mm) dia. Lenses and filters are glass; screens are aluminum.*

<b>diffuse glass</b> .....	DGS/2.75
<b>prismatic lens (Solite)</b> .....	PLS/2.75
<b>55° spread lens</b> .....	LENS/2.75
<b>40° x 70° spread lens</b> .....	LENS/2.75-4070
<b>beam smoother included with fixture</b> .....	CLR/2.75
<b>color filters</b>	
Daylight Blue .....	DAY/2.75
Surprise Pink .....	PNK/2.75
amber .....	AMB/2.75
blue .....	BLU/2.75
green .....	GRN/2.75
red .....	RED/2.75
<b>33% light reduction screen</b> .....	SCR33/2.75
<b>50% light reduction screen</b> .....	SCR50/2.75



## APPLICATIONS

Luminaire is suitable for spotlighting objects in museums, galleries, showrooms, residences, offices and stores.

Luminaire is listed for mounting on Edison Price Lighting 120-volt or 277-volt track.

**USB Key**  
To address this fixture from a Windows-based PC, laptop or tablet, a USB key (dongle) is required. Contact factory for USB key.

**Fixture Spacing Requirements** The track adapter of this fixture is 7 3/4" long. For this reason 1) it cannot be track-mounted closer than 8" on center and 2) it cannot be used with 2 of our 7 Unicep single-fixture track units.

– see below for photometric reports –



## PHOTOMETRIC REPORT with 10° reflector (tested per IESNA LM-79-2008)

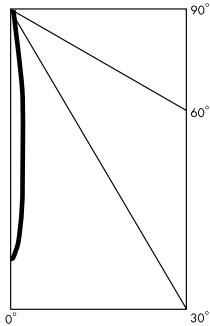
Prorated from Verification Services Report No. 1222997. Original test report furnished upon request.

Luminaire ..... track-mounted LED accent light with a 10° reflector and black ring-baffle (NO LENS)  
 Lamp ..... Xicato 9mm XIM LED Module, 1300 lumens, 3000K, 80 CRI  
 Lamp Life ..... rated 50.000 hours based on L70/B50 criteria. LM80 report by LED manufacturer furnished upon request



### CANDLEPOWER DISTRIBUTION (Candela)

Vertical Angle	Horizontal Angle
	0
0	12597
5	6526
15	101
25	23
35	7
45	3
55	1
65	1
75	0
85	0
90	0



### LUMINAIRE LIGHT OUTPUT AND EFFICACY

LED Module Type	Luminaire Light Output	Luminaire CBCP	Luminaire Efficacy (lms/watt)	System Wattage
1300 Lumens Artist	500*	12,597*	16*	32
1300 Lumens standard & Vibrant	500*	12,597*	26*	19

\*estimated values

## PHOTOMETRIC REPORT with 24° reflector (tested per IESNA LM-79-2008)

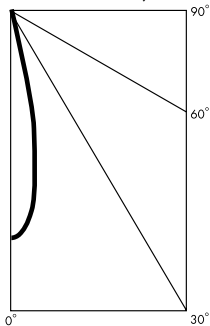
Prorated from Verification Services Report No. 1222998. Original test report furnished upon request.

Luminaire ..... track-mounted LED accent light with a 24° reflector and black ring-baffle (NO LENS)  
 Lamp ..... Xicato 9mm XIM LED Module, 1300 lumens, 3000K, 80 CRI  
 Lamp Life ..... rated 50.000 hours based on L70/B50 criteria. LM80 report by LED manufacturer furnished upon request



### CANDLEPOWER DISTRIBUTION (Candela)

Vertical Angle	Horizontal Angle
	0
0	3036
5	2694
15	409
25	24
35	6
45	2
55	1
65	1
75	0
85	0
90	0



### LUMINAIRE LIGHT OUTPUT AND EFFICACY

LED Module Type	Luminaire Light Output	Luminaire CBCP	Luminaire Efficacy (lms/watt)	System Wattage
1300 Lumens Artist	373*	3036*	12*	32
1300 Lumens standard & Vibrant	373*	3036*	19*	19

\*estimated values

## STANDARD DRIVER INFORMATION (UL Class 2, dry and damp location)

Voltage	120	277
Input Watts (L13A/L13S&V)	32/19	32/19
Input Current(A) (L13A/L13S&V)	.26/.16	.11/.07
Min. Power Factor	.99	.99
Operating Temperature Range (F)	-13 to 122	-13 to 122

## LIGHT OUTPUT MULTIPLIER

LED Module Type	Light Output Multiplier
1300 Lumens Artist	1
1300 Lumens standard & Vibrant	1

## PHOTOMETRIC REPORT with 10° reflector (tested per IESNA LM-79-2008)

Prorated from Verification Services Report No. 1222995. Original test report furnished upon request.

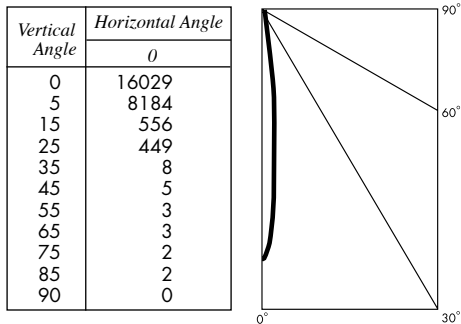
Luminaire ..... track-mounted LED accent light with 10° reflector and black lens holder (NO LENS)

Lamp ..... Xicato 9mm XIM LED Module, 1300 lumens, 80 CRI, 3000K

Lamp Life ..... Rated 50,000 hours based on L70/B50 criteria. LM80 report by LED manufacturer furnished upon request



### CANDLEPOWER DISTRIBUTION (Candela)



### LUMINAIRE LIGHT OUTPUT AND EFFICACY

LED Module Type	Luminaire Light Output	Luminaire CBCP	Luminaire Efficacy (lms/watt)	System Wattage
1300 Lumens standard/vbrant	924*	16029*	48*	19
1300 Lumens Artist	924*	16029*	29*	32

\*estimated values

## PHOTOMETRIC REPORT with 24° reflector (tested per IESNA LM-79-2008)

Prorated from Verification Services Report No. 122996. Original test report furnished upon request.

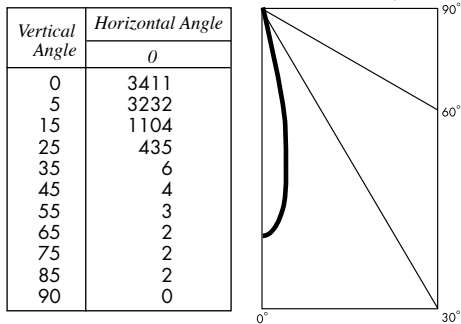
Luminaire ..... track-mounted LED accent light with 24° reflector and black lens holder (NO LENS)

Lamp ..... Xicato 9mm XIS LED Module, 1300 lumens, 80 CRI, 3000K

Lamp Life ..... Rated 50,000 hours based on L70/B50 criteria. LM80 report by LED manufacturer furnished upon request



### CANDLEPOWER DISTRIBUTION (Candela)



### LUMINAIRE LIGHT OUTPUT AND EFFICACY

LED Module Type	Luminaire Light Output	Luminaire CBCP	Luminaire Efficacy (lms/watt)	System Wattage
1300 Lumens Standard/Vibrant	825*	3411*	43*	19
1300 Lumens Artist	825*	3411*	26*	32

\*estimated values