

Project

Date

Product Code

Type

Designer



ARTIMA[®]/3 VN[®]SP

track mounted LED very narrow spotlight



Artima/3 VN[®]SP with Ring Baffle (OG) Artima/3 VN[®]SP with Open Aperture (OH)

DMP models shown



aperture view



aperture view

Artima/3 VN[®]SP is a track mounted spotlight capable of 7° or 14° beam spreads. Luminaire is powered by one of a number of Cree chip-on-board LED modules. See tables below for wattages and efficacies.

- Fixtures may be configured to mount to any of eighteen 20-amp, 12-volt [track systems](#) – or – to any of six 277-volt track systems.
- Fixture function can be changed with your choice of Quick Change Cartridge – which can be removed from the fixture easily – and your choice of ‘twist and lock’ [reflector](#).
- Quick Change Cartridge / Reflector choices
 - Quick Change Cartridge with a ring baffle (OG) for enhanced glare control; for use with a 7° or 14° reflector.
 - Quick Change Cartridge with an open aperture (OH) for maximum efficacy; for use with a 7° or 14° reflector.
- Fixture is ordered with a single Quick Change Cartridge and a single reflector. Additional Quick Change Cartridges and reflectors may be ordered as accessories.
- **Optical Accessories:** Each Quick Change Cartridge accepts one or two of a number of spread lenses, color filters and screens. A complimentary beam smoother is included.
- Horizontal and vertical adjustment can be locked by tightening two collar clamps using a 3/32" hex key. An on-off rocker switch, mounted in the driver case, is included standard on luminaires equipped for 120-volt track only.
- For more information, [click here](#).

For the outlet box mounted version, see [Artima/3 VN[®]SP-OBM](#).

PRODUCT CODE

For complete product code, list basic unit and select one item from each following box.

Basic Unit	A3-CLT
Track Configuration	
120-volt track (e.g. SightLine)	- 2C
277-volt track (e.g. HighLine)	- HC
Quick Change Cartridge	
Ring Baffle	- OG
Open Aperture	- OH
Reflector (specify one to ship with fixture)	
7° very narrow spot	- 7D
14° narrow spot	- 14D
Driver	
dimmable to 5% with either incandescent or ELV dimmer on 120-volt track only, seamless driver case measures 6" x 3 1/4" x 1 3/4"	- DMP
dimmable to 1% with a Lutron® incandescent dimmer on 120-volt track only, seamless driver case measures 5 5/8" x 2 7/8" x 2"	- DMI-LU
Light Source Output (Lumens)	
900 lumens / 98 CRI	- L09A
1200 lumens	- L12A
1600 lumens	- L16A
1200 lumens / 80+ CRI	- L12S
1500 lumens	- L15S
2200 lumens	- L22S
Light Color	
2700 K	- 27K
3000 K	- 30K
3500 K	- 35K
4000 K	- 40K
5000 K	- 50K
Finish	
white: white paint, white lead cord, matte aluminum heat sink; white switch	- WH
black: black paint, black lead cord, black heat sink; black switch	- BL
Industrial Silver: silver paint, black lead cord, black heat sink; black switch	- SI
custom color: include paint number or physical chip with order and select one from below	
• white lead cord, matte aluminum heat sink; white switch	- CCW
• black lead cord, black heat sink; black switch; black switch	- CCB
• any other combinations require a special order	

EXTRA REFLECTORS & CARTRIDGES

Specify as separate line items.

Reflector	
7° very narrow spot reflector	CLT-REF-7D
14° narrow spot reflector	CLT-REF-14D
Quick Change Cartridge	
Ring Baffle	RK-A3-CLT+OG
Open Aperture	RK-A3-CLT+OH

OPTICAL ACCESSORIES ▼ See next page



41-50 22ND STREET, LIC NY 11101 TEL 718.685.0700 FAX 718.786.8530 www.epl.com

©Copyright, Edison Price Lighting 2019

Artima is a registered trademark of Edison Price Lighting.

TF 11-167.5 6:19

OPTICAL ACCESSORIES

Specify as separate line items.

All are 2 3/4" (70mm) dia. Lenses and filters are glass; screens are aluminum.

diffuse glass	DGS/2.75
prismatic lens (Solite)	PLS/2.75
55° spread lens	LENS/2.75
40° x 70° spread lens	LENS/2.75-4070
color filters	
Daylight Blue	DAY/2.75
Surprise Pink	PNK/2.75
blue	BLU/2.75
green	GRN/2.75
red	RED/2.75
33% light reduction screen	SCR33/2.75
50% light reduction screen	SCR50/2.75

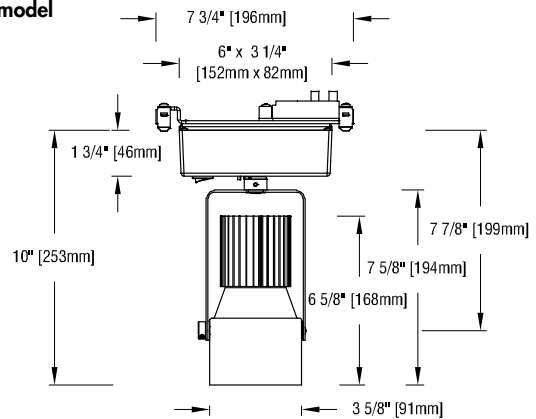
APPLICATIONS

Luminaire is suitable for highlighting vertical or horizontal surfaces, as well as objects in museums, galleries, showrooms, residences, offices and stores.

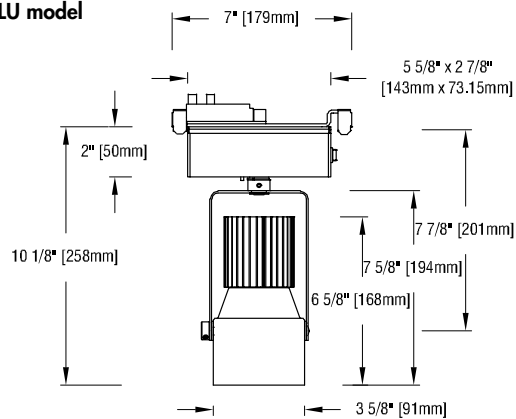
Luminaire is listed for mounting on Edison Price Lighting 120-volt or 277-volt track.

Fixture Spacing Requirements The track adapter of this fixture is as long as 7 3/4" long. For this reason 1) it cannot be track-mounted closer than 8 1/4" on center and 2) it cannot be used with 2 of our 7 **Unicep** single-fixture track units.

DMP model



DMI-LU model



STANDARD DRIVER INFORMATION (UL Class 2, dry and damp location)

Voltage	120	277
Input Watts (L09A/L12A/16A/L12S/L15S/L22S lumens)	10/14/19	10/14/19
Input Current(A) (L09A/L12A/16A/L12S/L15S/L22S lumens)	.08/12/16	.04/05/07
Output Current (mA)	250-550	250-550
Min. Power Factor	0.90	0.90
Operating Temperature Range (F)	-13 to 122	-13 to 122

LIGHT OUTPUT MULTIPLIER

LED Module Type	Light Output Multiplier
L22S	1
L15S	0.71*
L12S	0.54*
L16A	0.75*
L12A	0.53*
L09A	0.41*

*estimated values

– photometrics continued below –



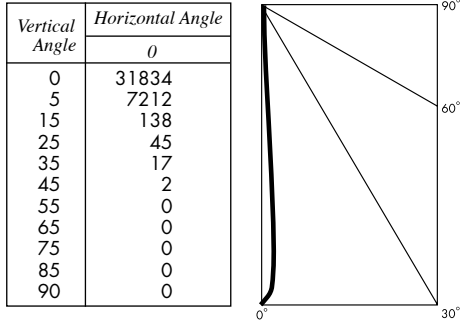
PHOTOMETRIC REPORT with 7° reflector (tested per IESNA LM-79-2008)



LT Leading Testing Laboratories Report No. UT19030004-02a-R1. Original test report furnished upon request.

Luminaire track-mounted LED accent light with 7° reflector and black ring baffle (NO LENS)
 Lamp Cree LED Module, 2200 lumens, 3000K
 Lamp Life Rated 50,000 hours based on L70/B50 criteria. LM80 report by LED manufacturer furnished upon request

CANDLEPOWER DISTRIBUTION (Candela)



LUMINAIRE LIGHT OUTPUT AND EFFICACY

LED Module Type	Luminaire Light Output	Luminaire CBCP	Luminaire Efficacy (lms/watt)	System Wattage
L22S	729	31834	38	19
L15S	518*	22602*	37*	14
L12S	394*	17190*	39*	10
L16A	547*	23876*	29*	19
L12A	386*	16872*	28*	14
L09A	299*	13052*	30*	10

*estimated values

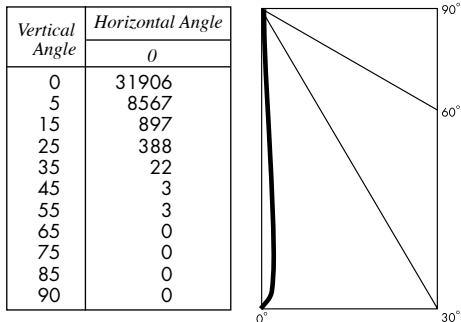
PHOTOMETRIC REPORT with 7° reflector (tested per IESNA LM-79-2008)



LT Leading Testing Laboratories Report No. UT19030004-01a-R1. Original test report furnished upon request.

Luminaire track-mounted LED accent light with 7° reflector and black lens holder (NO LENS)
 Lamp Cree LED Module, 2200 lumens, 3000K
 Lamp Life Rated 50,000 hours based on L70/B50 criteria. LM80 report by LED manufacturer furnished upon request

CANDLEPOWER DISTRIBUTION (Candela)



LUMINAIRE LIGHT OUTPUT AND EFFICACY

LED Module Type	Luminaire Light Output	Luminaire CBCP	Luminaire Efficacy (lms/watt)	System Wattage
L22S	1234	31906	64	19
L15S	876*	22653*	63*	14
L12S	666*	17229*	67*	10
L16A	926*	23930*	49*	19
L12A	654*	16910*	47*	14
L09A	506*	13081*	51*	10

*estimated values

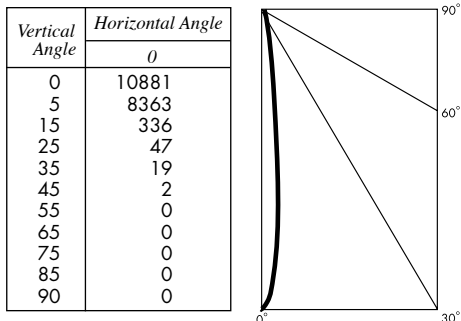
PHOTOMETRIC REPORT with 14° reflector (tested per IESNA LM-79-2008)



LT Leading Testing Laboratories Report No. UT19030004-04a-R1. Original test report furnished upon request.

Luminaire track-mounted LED accent light with 14° reflector and black ring baffle (NO LENS)
 Lamp Cree LED Module, 2200 lumens, 3000K
 Lamp Life Rated 50,000 hours based on L70/B50 criteria. LM80 report by LED manufacturer furnished upon request

CANDLEPOWER DISTRIBUTION (Candela)



LUMINAIRE LIGHT OUTPUT AND EFFICACY

LED Module Type	Luminaire Light Output	Luminaire CBCP	Luminaire Efficacy (lms/watt)	System Wattage
L22S	719	10881	38	19
L15S	510*	7726*	36*	14
L12S	388*	5876*	39*	10
L16A	539*	8161*	28*	19
L12A	381*	5767*	27*	14
L09A	295*	4461*	29*	10

*estimated values

PHOTOMETRIC REPORT with 14° reflector (tested per IESNA LM-79-2008)



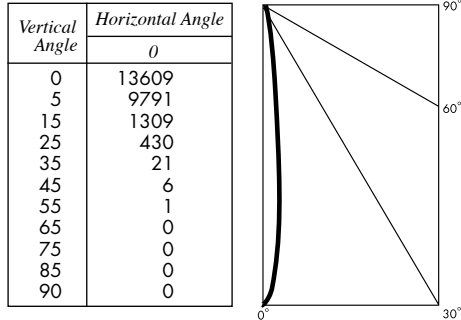
Leading Testing Laboratories Report No. UT19030004-03a-R1. Original test report furnished upon request.

Luminaire track-mounted LED accent light with 14° reflector and black lens holder (NO LENS)

Lamp Cree LED Module, 2200 lumens, 3000K

Lamp Life Rated 50,000 hours based on L70/B50 criteria. LM80 report by LED manufacturer furnished upon request

CANDLEPOWER DISTRIBUTION (Candela)



LUMINAIRE LIGHT OUTPUT AND EFFICACY

LED Module Type	Luminaire Light Output	Luminaire CBCP	Luminaire Efficacy (lms/watt)	System Wattage
L22S	1277	13609	67	19
L15S	907*	9662*	65*	14
L12S	690*	7349*	69*	10
L16A	958*	10207*	50*	19
L12A	677*	7213*	48*	14
L09A	524*	5580*	52*	10

*estimated values