

Project

Type



Date

Product Code

Designer

ARTIMA®/3 VNSP BLUETOOTH

track mounted addressable LED very narrow spotlight



Artima/3 VNSP Bluetooth is a track mounted spotlight capable of 7° or 14° beam spreads. Luminaire is powered by one of a number of Cree chip-on-board LED modules. See tables below for wattages and efficacies.

- Luminaire is equipped with a Xicato Bluetooth Low Energy Intelligent Driver, controllable via a smart device with iOS or Windows based apps. Features include
 - standard Bluetooth Wireless connectivity
 - addressable individually
 - on/off control
 - dimming to 0.1%
 - data collection and storage for operating history
 - direct listening to switches and sensors
 - embedded Eddystone, iBeacon and/or AltBeacon beacons
- Fixtures may be configured to mount to any of eighteen 20-amp, 12-volt track systems – or – to any of six 277-volt track systems.
- Fixture function can be changed with your choice of Quick Change Cartridge – which can be removed from the fixture easily – and your choice of ‘twist and lock’ reflector.
- Quick Change Cartridge / Reflector choices
 - Quick Change Cartridge with a cross baffle (OG) for enhanced glare control; for use with a 7° or 14° reflector.
 - Quick Change Cartridge with an open aperture (OH) for maximum efficacy; for use with a 7° or 14° reflector.
- Fixture is ordered with a single Quick Change Cartridge and a single reflector. Additional Quick Change Cartridges and reflectors may be ordered as accessories.
- Optical Accessories: Each Quick Change Cartridge accepts one or two of a number of spread lenses, color filters and screens. A complimentary beam smoother is included.
- Horizontal and vertical adjustment can be locked by tightening two collar clamps using a 3/32" hex key.
- For more information, [click here](#).

USB Key

To address this fixture from a Windows-based PC, laptop or tablet, a USB key (dongle) is required. Contact factory for USB key.

For the outlet box mounted version, see [Artima/3 VNSP-OBM Bluetooth](#).

PRODUCT CODE

For complete product code, list basic unit and select one item from each following box.

Basic Unit	A3-CLT-XID
Track Configuration	
120-volt track (e.g. SightLine)	- 2C
277-volt track (e.g. HighLine)	- HC
Quick Change Cartridge	
Ring Baffle	- OG
Open Aperture	- OH
Reflector (specify one to ship with fixture)	
7° very narrow spot	- 7D
14° narrow spot	- 14D
Light Source Output (Lumens)	
1200 lumens / 98 CRI.....2700K & 3000K only.....	- L12A
1600 lumens.....2700K & 3000K only.....	- L16A
1500 lumens / 80+ CRI.....	- L15S
2200 lumens.....	- L22S
Light Color	
2700 K	- 27K
3000 K	- 30K
3500 K not available in 98 CRI (see above)	- 35K
4000 K not available in 98 CRI (see above)	- 40K
5000 K not available in 98 CRI (see above)	- 50K

Finish	
white: white paint, white lead cord, matte aluminum heat sink	- WH
black: black paint, black lead cord, black heat sink	- BL
Industrial Silver: silver paint, black lead cord, black heat sink	- SI
custom color: include paint number or physical chip with order and select one from below	
• white lead cord, matte aluminum heat sink	- CCW
• black lead cord, black heat sink	- CCB
• any other combinations require a special order	

Circuit Limitations	
Luminaire operates only on track circuits with <u>no</u> dimmer on the circuit	

OPTION

Integral Dimmer: rotary dimmer located in side of driver case; dims to 1% on 120 or 277 volt track; see detail below	- ID
---	------

EXTRA REFLECTORS & CARTRIDGES

Specify as separate line items.

Reflector	
7° very narrow spot reflector	CLT-REF-7D
14° narrow spot reflector	CLT-REF-14D

Quick Change Cartridge	
Ring Baffle	RK-A3-CLT+OG
Open Aperture	RK-A3-CLT+OH

OPTICAL ACCESSORIES ▼ See next page



INTEGRAL DIMMER OPTION (ID)

Integral rotary dimmer located in one side of the driver case: Dimmer control shaft is spring loaded, permitting shaft to be exposed for adjustment then depressed flush to conserve dimmer setting. "Clock face" markings permit registration of dimmer setting.



OPTICAL ACCESSORIES

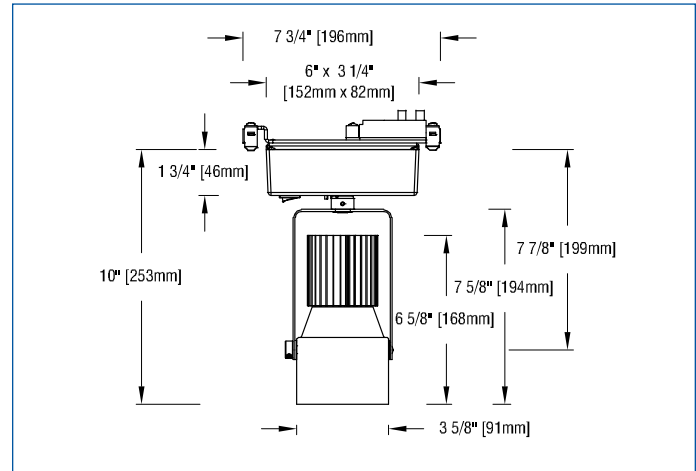
Specify as separate line items.
All are 2 3/4" (70mm) dia. Lenses and filters are glass; screens are aluminum.

- diffuse glassDGS/2.75
- prismatic lens (Solite)PLS/2.75
- 55° spread lensLENS/2.75
- 40° x 70° spread lensLENS/2.75-4070

color filters

- Daylight BlueDAY/2.75
- Surprise PinkPNK/2.75
- blueBLU/2.75
- greenGRN/2.75
- redRED/2.75

- 33% light reduction screenSCR33/2.75
- 50% light reduction screenSCR50/2.75



APPLICATIONS

Luminaire is suitable for highlighting vertical or horizontal surfaces, as well as objects in museums, galleries, showrooms, residences, offices and stores.

Luminaire is listed for mounting on Edison Price Lighting 120-volt or 277-volt track.

Fixture Spacing Requirements The track adapter of this fixture is as long as 7 3/4" long. For this reason 1) it cannot be track-mounted closer than 8" on center and 2) it cannot be used with 2 of our 7 Unicep single-fixture track units.

STANDARD DRIVER INFORMATION (UL Class 2, dry and damp location)

Voltage	120	277
Input Watts (L12A/16A/L15S/L22S lumens)	14/19	14/19
Input Current(A) (L12A/16A/L15S/L22S lumens)	.12/.16	.05/.07
Output Current (mA)	350-550	350-550
Min. Power Factor	0.90	0.90
Operating Temperature Range (F)	-13 to 122	-13 to 122

LIGHT OUTPUT MULTIPLIER

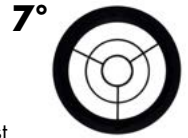
LED Module Type	Light Output Multiplier
L22S	1
L15S	0.71*
L16A	0.75*
L12A	0.53*

*estimated values

– photometrics continued below –



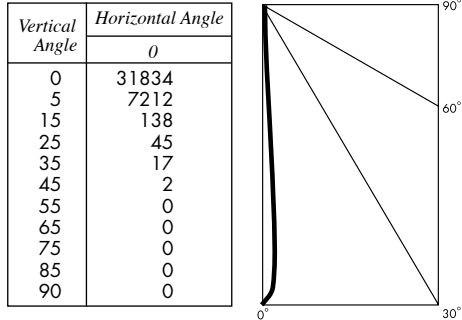
PHOTOMETRIC REPORT with 7° reflector (tested per IESNA LM-79-2008)



LT Leading Testing Laboratories Report No. UT19030004-02a-R1. Original test report furnished upon request.

Luminaire track-mounted LED accent light with 7° reflector and black ring baffle (NO LENS)
 Lamp Cree LED Module, 2200 lumens, 3000K
 Lamp Life Rated 50,000 hours based on L70/B50 criteria. LM80 report by LED manufacturer furnished upon request

CANDLEPOWER DISTRIBUTION (Candela)



LUMINAIRE LIGHT OUTPUT AND EFFICACY

LED Module Type	Luminaire Light Output	Luminaire CBCP	Luminaire Efficacy (lms/watt)	System Wattage
L22S	729	31834	38	19
L15S	518*	22602*	37*	14
L16A	547*	23876*	29*	19
L12A	386*	16872*	28*	14

*estimated values

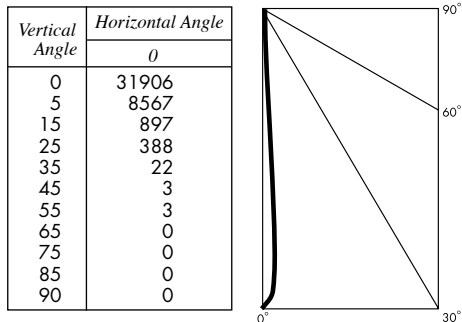
PHOTOMETRIC REPORT with 7° reflector (tested per IESNA LM-79-2008)



LT Leading Testing Laboratories Report No. UT19030004-01a-R1. Original test report furnished upon request.

Luminaire track-mounted LED accent light with 7° reflector and black lens holder (NO LENS)
 Lamp Cree LED Module, 2200 lumens, 3000K
 Lamp Life Rated 50,000 hours based on L70/B50 criteria. LM80 report by LED manufacturer furnished upon request

CANDLEPOWER DISTRIBUTION (Candela)



LUMINAIRE LIGHT OUTPUT AND EFFICACY

LED Module Type	Luminaire Light Output	Luminaire CBCP	Luminaire Efficacy (lms/watt)	System Wattage
L22S	1234	31906	64	19
L15S	876*	22653*	63*	14
L16A	926*	23930*	49*	19
L12A	654*	16910*	47*	14

*estimated values

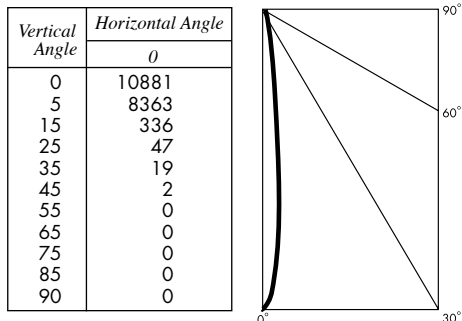
PHOTOMETRIC REPORT with 14° reflector (tested per IESNA LM-79-2008)



LT Leading Testing Laboratories Report No. UT19030004-04a-R1. Original test report furnished upon request.

Luminaire track-mounted LED accent light with 14° reflector and black ring baffle (NO LENS)
 Lamp Cree LED Module, 2200 lumens, 3000K
 Lamp Life Rated 50,000 hours based on L70/B50 criteria. LM80 report by LED manufacturer furnished upon request

CANDLEPOWER DISTRIBUTION (Candela)



LUMINAIRE LIGHT OUTPUT AND EFFICACY

LED Module Type	Luminaire Light Output	Luminaire CBCP	Luminaire Efficacy (lms/watt)	System Wattage
L22S	719	10881	38	19
L15S	510*	7726*	36*	14
L16A	539*	8161*	28*	19
L12A	381*	5767*	27*	14

*estimated values

PHOTOMETRIC REPORT with 14° reflector (tested per IESNA LM-79-2008)



Leading Testing Laboratories Report No. UT19030004-03a-R1. Original test report furnished upon request.

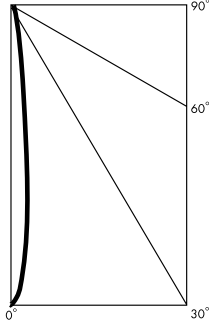
Luminaire track-mounted LED accent light with 14° reflector and black lens holder (NO LENS)

Lamp Cree LED Module, 2200 lumens, 3000K

Lamp Life Rated 50,000 hours based on L70/B50 criteria. LM80 report by LED manufacturer furnished upon request

CANDLEPOWER DISTRIBUTION (Candela)

Vertical Angle	Horizontal Angle
	0
0	13609
5	9791
15	1309
25	430
35	21
45	6
55	1
65	0
75	0
85	0
90	0



LUMINAIRE LIGHT OUTPUT AND EFFICACY

LED Module Type	Luminaire Light Output	Luminaire CBCP	Luminaire Efficacy (lms/watt)	System Wattage
L22S	1277	13609	67	19
L15S	907*	9662*	65*	14
L16A	958*	10207*	50*	19
L12A	677*	7213*	48*	14

*estimated values