

Project

Date

Product Code

Type

Designer



ARTIMA[®]/3 NSP

track mounted LED spotlight



Artima/3 NSP with Ring Baffle (OG) Artima/3 NSP with Open Aperture (OH)



aperture view



aperture view

Artima/3 NSP is a track mounted spotlight powered by one of a number of 9mm Xicato LED modules. See tables below for wattages and efficacies.

- Fixtures may be configured to mount to any of eighteen 20-amp, 12-volt [track systems](#) – or – to any of six 277-volt track systems.
- Fixture function can be changed with your choice of Quick Change Cartridge – which can be removed from the fixture easily – and your choice of ‘twist and lock’ [reflector](#).
- Quick Change Cartridge / Reflector choices
 - Quick Change Cartridge with a ring baffle (OG) for narrow spot control; for use with a 10° or 24° reflector.
 - Quick Change Cartridge with an open aperture (OH) for maximum efficacy; for use with a 10° or 24° reflector.
- Fixture is provided with a single Quick Change Cartridge and a single reflector. Additional Quick Change Cartridges and reflectors may be ordered as accessories.
- Fixture may be ordered with one of a number of drivers. An on-off rocker switch, mounted in the driver case, is included on 120-volt fixtures.
- **Optical Accessories:** Each Quick Change Cartridge accepts one or two of a number of spread lenses, color filters and screens. A complimentary Beam Smoother is included.
- Horizontal and vertical adjustment can be locked by tightening two collar clamps using a 3/32" hex key.
- For more information, [click here](#).

For an outlet box mounted model, see [Artima/3 NSP-OBM](#).

PRODUCT CODE

For complete product code, list basic unit and select one item from each following box.

Basic Unit A3-XTS

Track Configuration

120-volt track (e.g. SightLine) 2C
277-volt track (e.g. HighLine) no switch; not dimmable HC

Quick Change Cartridge

Ring Baffle..... OG
Open Aperture OH

Reflector (specify one to ship with fixture)

10° narrow spot 10D
24° spot 24D

Driver

dimmable to 5% or 10% (see Light Output box below) with either incandescent or ELV dimmer on 120-volt track only, seamless driver case, pictured, measures 7" x 2" x 1 7/8" DMP
dimmable to 1% with a Lutron® incandescent dimmer on 120-volt track only, seamless driver case measures 5 3/4" x 3 5/8" x 1 7/8" DM-ILU

For a model that dims wirelessly see [Artima/3 NSP Bluetooth](#)

Light Source Output (Lumens)

700L /CRI 98 Artist.....	DMP (10%)	L07A
1000L /CRI 98 Artist.....	DMP (5%)	L10A
1000L /CRI 80+.....	DMP (10%)	L10S
1000L /CRI 80+ Vibrant.....	3000K only	DMP (10%) L10V
1300L /CRI 98 Artist.....	DMP (5%)	L13A
1300L /CRI 80+.....	DMP (5%)	L13S
1300L /CRI 80+ Vibrant.....	3000K only	DMP (5%) L13V
1600L /CRI 98 Artist.....	DMP (5%)	L16A
2000L /CRI 80+.....	DMP (5%)	L20S
2000L /CRI 80+ Vibrant.....	3000K only	DMP (5%) L20V

Light Color

2700 K 27K
3000 K 30K
3500 K 35K
4000 K 40K

Finish

white: white paint, white lead cord, matte aluminum heat sink; white switch..... WH
black: black paint, black lead cord, black heat sink; black switch BL
Industrial Silver: silver paint, black lead cord, black heat sink; black switch..... SI
custom color: include paint number or physical chip with order and select one from below
• white lead cord, matte aluminum heat sink; white switch CCW
• black lead cord, black heat sink; black switch CCB
• any other combinations require a special order

EXTRA REFLECTORS & CARTRIDGES

Specify as separate line items.

Reflector

10° spot reflector XTS-REF10-72
24° spot reflector XTS-REF24-70

Quick Change Cartridge

Ring Baffle..... A3-XTM-OG
Open Aperture A3-XTM-OH



41-50 22ND STREET, LIC NY 11101 TEL 718.685.0700 FAX 718.786.8530 www.epl.com

©Copyright, Edison Price Lighting 2019
Artima is a registered trademark of Edison Price Lighting.

TF 11-167 7:19

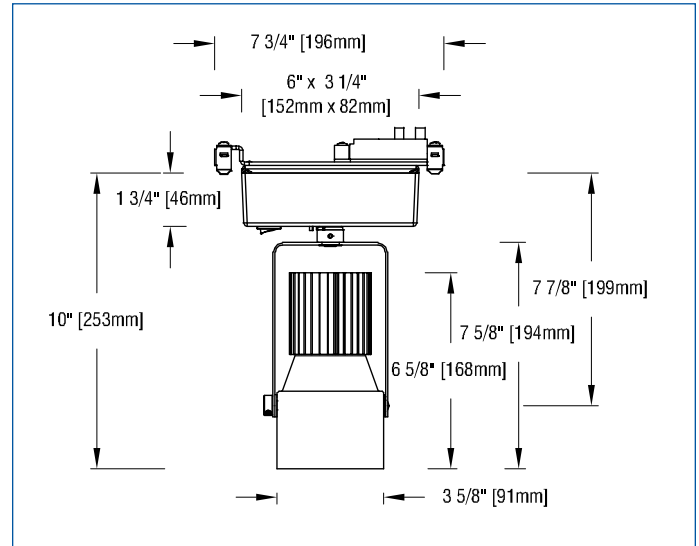
OPTICAL ACCESSORIES ▼ See next page

OPTICAL ACCESSORIES

Specify as separate line items.

All are 2 3/4" (70mm) dia. Lenses and filters are glass; screens are aluminum.

diffuse glass	DGS/2.75
prismatic lens (Solite)	PLS/2.75
55° spread lens	LENS/2.75
40° x 70° spread lens	LENS/2.75-4070
beam smoother included with fixture	CLR/2.75
color filters	
Daylight Blue	DAY/2.75
Surprise Pink	PNK/2.75
amber	AMB/2.75
blue	BLU/2.75
green	GRN/2.75
red	RED/2.75
33% light reduction screen	SCR33/2.75
50% light reduction screen	SCR50/2.75



BARN DOORS

Specify as separate line items.

Specify with one optical accessory (not included), see above.

white	BD-A3-WH
black	BD-A3-BL
silver	BD-A3-SI
custom color	BD-A3-CC



APPLICATIONS

Luminaire is listed for mounting on Edison Price Lighting 120-volt or 277-volt track.

Fixture Spacing Requirements The track adapter of this fixture is 7 3/4" long. For this reason 1) it cannot be track-mounted closer than 8" on center and 2) it cannot be used with 2 of our 7 **Unicep** single-fixture track units.

– see below for photometric reports –



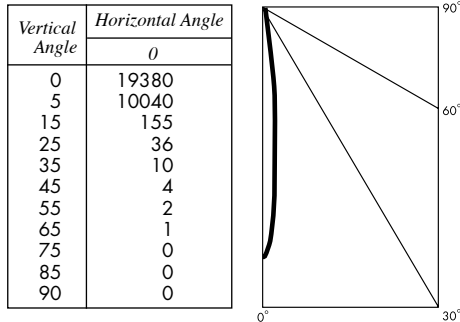


PHOTOMETRIC REPORT with 10° reflector (tested per IESNA LM-79-2008)

UL Verification Services Report No. 1222997. Original test report furnished upon request.

Luminaire track-mounted LED accent light with a 10° reflector and black ring-baffle (NO LENS)
 Lamp Xicato 9mm XTM LED Module, 2000 lumens, 3000K
 Lamp Life rated 50.000 hours based on L70/B50 criteria. LM80 report by LED manufacturer furnished upon request

CANDLEPOWER DISTRIBUTION



LUMINAIRE LIGHT OUTPUT AND EFFICACY

LED Module Type	Luminaire Light Output	Luminaire CBCP	Luminaire Efficacy (lms/watt)	System Wattage
700 Lumens Artist	277*	6986*	20*	14
1000 Lumens Artist	365*	9192*	19*	19
1300 Lumens Artist	505*	12,723*	17*	30
1600 Lumens Artist	600*	15,116*	16*	38
1000 Lumens standard & Vibrant	382*	9631*	27*	14
1300 Lumens standard & Vibrant	510*	12,849*	27*	19
2000 Lumens standard & Vibrant	769	19,380	21	38

*estimated values

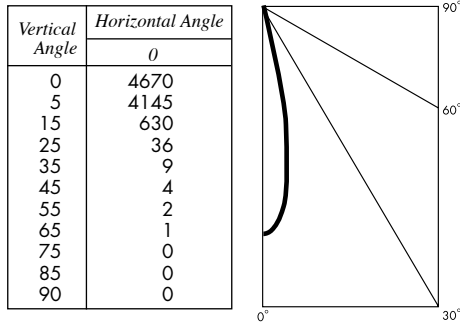
PHOTOMETRIC REPORT with 24° reflector (tested per IESNA LM-79-2008)

UL Verification Services Report No. 122998. Original test report furnished upon request.

Luminaire track-mounted LED accent light with a 24° reflector and black ring-baffle (NO LENS)
 Lamp Xicato 9mm XTM LED Module, 2000 lumens, 3000K
 Lamp Life rated 50.000 hours based on L70/B50 criteria. LM80 report by LED manufacturer furnished upon request



CANDLEPOWER DISTRIBUTION



LUMINAIRE LIGHT OUTPUT AND EFFICACY

LED Module Type	Luminaire Light Output	Luminaire CBCP	Luminaire Efficacy (lms/watt)	System Wattage
700 Lumens Artist	207*	1684*	15*	14
1000 Lumens Artist	272*	2215*	14*	19
1300 Lumens Artist	376*	3066*	12*	30
1600 Lumens Artist	447*	3643*	12*	38
1000 Lumens standard & Vibrant	285*	2321*	20*	14
1300 Lumens standard & Vibrant	380*	3096*	20*	19
2000 Lumens standard & Vibrant	573	4670	15	38

*estimated values

STANDARD DRIVER INFORMATION (UL Class 2, dry and damp location)

Voltage	120	277
Input Watts (L07A/L10A/L13A/L16A/L10S&V/L13S&V/L20S&V)	14/19/30/38/14/19/38	14/19/30/38/14/19/38
Input Current(A) (L07A/L10A/L13A/L16A/L10S&V/L13S&V/L20S&V)	.12/.16/.25/.32/.12/.16/.32	.05/.07/.11/.14/.05/.07/.14
Output Current (mA)	500-1050	500-1050
Min. Power Factor	.99	.99
Operating Temperature Range (F)	-13 to 122	-13 to 122

LIGHT OUTPUT MULTIPLIER

LED Module Type	Light Output Multiplier
700 Lumens Artist	.36*
1000 Lumens Artist	.47*
1300 Lumens Artist	.65*
1600 Lumens Artist	.78*
1000 Lumens standard & Vibrant	.50*
1300 Lumens standard & Vibrant	.66*
2000 Lumens standard & Vibrant	1

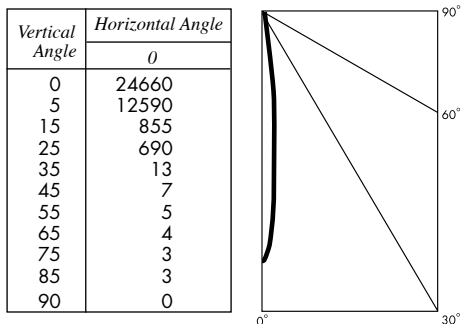
PHOTOMETRIC REPORT with 10° reflector (tested per IESNA LM-79-2008)

UL Verification Services Report No. 1222995. Original test report furnished upon request.

Luminaire track-mounted LED accent light with 10° reflector and black lens holder (NO LENS)
 Lamp Xicato LED Module, 2000 lumens, 3000K
 Lamp Life Rated 50,000 hours based on L70/B50 criteria. LM80 report by LED manufacturer furnished upon request



CANDLEPOWER DISTRIBUTION



LUMINAIRE LIGHT OUTPUT AND EFFICACY

LED Module Type	Luminaire Light Output	Luminaire CBCP	Luminaire Efficacy (lms/watt)	System Wattage
700 Lumens Artist	512*	8890*	36*	14
1000 Lumens Artist	674*	11696*	36*	19
1300 Lumens Artist	933*	16189*	31*	30
1600 Lumens Artist	1108*	19235*	29*	38
1000 Lumens standard & Vibrant	706*	12136*	50*	14
1300 Lumens standard & Vibrant	942*	16350*	50*	19
2000 Lumens standard & Vibrant	1421	24660	38	38

*estimated values

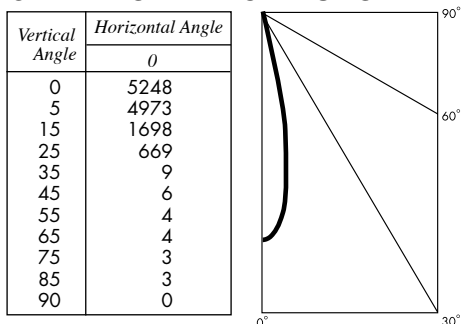
PHOTOMETRIC REPORT with 24° reflector (tested per IESNA LM-79-2008)

UL Verification Services Report No. 122996. Original test report furnished upon request.

Luminaire track-mounted LED accent light with 24° reflector and black lens holder (NO LENS)
 Lamp Xicato LED Module, 2000 lumens, 3000K
 Lamp Life Rated 50,000 hours based on L70/B50 criteria. LM80 report by LED manufacturer furnished upon request



CANDLEPOWER DISTRIBUTION



LUMINAIRE LIGHT OUTPUT AND EFFICACY

LED Module Type	Luminaire Light Output	Luminaire CBCP	Luminaire Efficacy (lms/watt)	System Wattage
700 Lumens Artist	457*	1855*	32*	14
1000 Lumens Artist	602*	2465*	32*	19
1300 Lumens Artist	833*	3445*	27*	30
1600 Lumens Artist	990*	4093*	26*	38
1000 Lumens standard & Vibrant	631*	2608*	45*	14
1300 Lumens standard & Vibrant	841*	3479*	44*	19
2000 Lumens standard & Vibrant	1269	5248	34	38

*estimated values