

Project

Type



MADE IN USA

[Click Here](#)

Date

Product Code

Designer

IDM ARTIMA[®]/3 CZS W

track mounted LED wallwasher with integral dimmer



IDM Artima/3 CZS W is a track mounted wallwasher powered by one of a number of Citizen chip-on-board LED modules. See tables below for wattages and efficacies.

- Fixtures may be configured to mount to any of eighteen 20-amp, 12-volt [track systems](#) – or – to any of six 277-volt track systems.
- Whether operated on 120-volt or 277-volt track, luminaire may be dimmed to 10% by an integral rotary dimmer located in the center of the housing top. Dimmer control shaft is spring loaded, permitting shaft to be expressed for adjustment and then depressed flush with the housing top, conserving dimmer setting. ‘Clock face’ markings permit registration of dimmer setting. (See illustrations below.)
- The optical assembly consists of an aluminum reflector and a 40° x 70° spread lens. In addition, the assembly accepts one of a number of optional [Optical Accessories](#) including color filters and screens. Assembly is keyed relative to luminaire housing, to retain critical lens orientation.
- Horizontal and vertical adjustment can be locked by tightening two collar clamps using a 3/32” hex key.
- An on-off rocker switch, mounted in the driver case, is included standard on luminaires equipped for 120-volt track only.
- For more information, [click here](#).

For the outlet box mounted version, see [IDM Artima/3 CZS W-OBM](#).

PRODUCT CODE

For complete product code, list basic unit and select one item from each following box.

Basic Unit IDM-A3-CZS2-W

Track Configuration

120-volt track (e.g. SightLine) - 2C
277-volt track (e.g. HighLine) no switch; not dimmable - HC

Finish

white: white paint, white lead cord, matte aluminum heat sink; white switch..... - WH
black: black paint, black lead cord, black heat sink; black switch - BL
Industrial Silver: silver paint, black lead cord, black heat sink; black switch..... - SI
custom color: include paint number or physical chip with order and select one from below
• white lead cord, matte aluminum heat sink; white switch..... - CCW
• black lead cord, black heat sink; black switch; black switch - CCB
• any other combinations require a special order

Light Source Output (Lumens)

1900 lumens / CRI 97 2700K, 3000K or 4000K only - L19A
2800 lumens 2700K, 3000K or 4000K only - L28A
2100 lumens / CRI 90 2700K or 3000K only - L21H
3100 lumens 2700K or 3000K only - L31H
2400 lumens / CRI 80 - L24S
3600 lumens - L36S

Light Color

2700 K - 27K
3000 K - 30K
3500 K not available in 90+CRI or 97 CRI (see above) - 35K
4000 K not available in 90+CRI or 97 CRI (see above) - 40K
5000 K not available in 90+CRI or 97 CRI (see above) - 50K

Dimming Notes:

- Fixture may be dimmed only by its integral dimmer.
- Fixture cannot be dimmed by a dimmer of any kind on the track circuit.
- Fixture may be damaged by use of an incandescent or ELV dimmer on the track circuit.
- Fixture will not be dimmed or damaged by use of a 0-10V dimmer on the track circuit.

OPTICAL ACCESSORIES ▼ See next page



41-50 22ND STREET, LIC NY 11101 TEL 718.685.0700 FAX 718.786.8530 www.epl.com

©Copyright, Edison Price Lighting 2019

Artima is a registered trademark of Edison Price Lighting.

TF 11-171 11:19

DIMMER OPERATION



OPTICAL ACCESSORIES

Specify as separate line items.
All are 2 3/4" (70mm) dia.

40° x 70° spread lens (included with fixture) LENS/2.75-4070

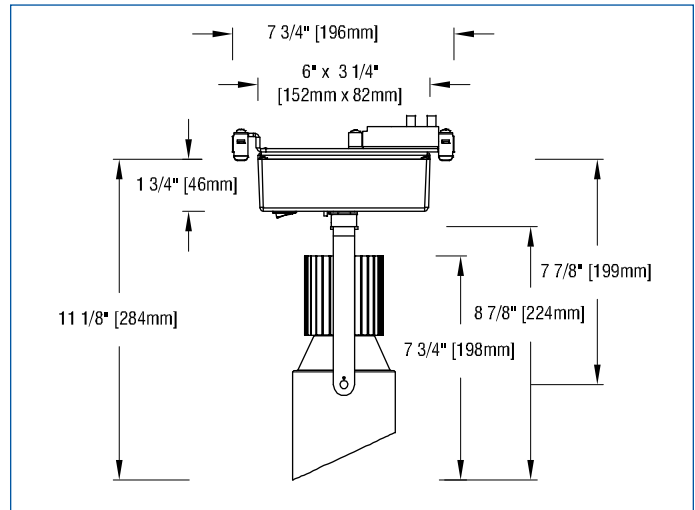
color filters

| | |
|---------------------|----------|
| Daylight Blue | DAY/2.75 |
| Surprise Pink | PNK/2.75 |
| blue | BLU/2.75 |
| green | GRN/2.75 |
| red | RED/2.75 |

APPLICATIONS

Luminaire is suitable for highlighting vertical surfaces in museums, galleries, showrooms, residences, offices and stores.

Luminaire is listed for mounting on Edison Price Lighting 120-volt or 277-volt track.



Fixture Spacing Requirements The track adapter of this fixture may be as long as 7 3/4" long. For this reason 1) it cannot be track-mounted closer than 8 1/4" on center and 2) it cannot be used with 2 of our 7 Unicep single-fixture track units.

STANDARD DRIVER INFORMATION (UL Class 2, dry and damp location)

| Voltage | 120 | 277 |
|--|-------------------------|-------------------------|
| Input Watts (L36S/24S/31H/L21H/L28A/19A lumens) | 27/18/27/18/27/18 | 27/18/27/18/27/18 |
| Input Current(A) (L36S/24S/31H/L21H/L28A/19A lumens) | .23/.15/.23/.15/.23/.15 | .10/.06/.10/.06/.10/.06 |
| Min. Power Factor | 0.90 | 0.90 |
| Operating Temperature Range (F) | -13 to 122 | -13 to 122 |

LIGHT OUTPUT MULTIPLIER

| LED Module Type | Light Output Multiplier |
|-----------------|-------------------------|
| L36S | 1 |
| L24S | 0.68* |
| L31H | 0.85* |
| L21H | 0.58* |
| L28A | 0.77* |
| L19A | 0.52* |

LED CCT MULTIPLIERS

| | |
|-------|------|
| 2700K | .96 |
| 3000K | 1 |
| 3500K | 1.02 |
| 4000K | 1.03 |
| 5000K | 1.04 |

*estimated values

– photometrics continued below –



PHOTOMETRIC REPORT (tested per IESNA LM-79-2008)

Prorated from Verification Services Report No. 12713115.09. Original test report furnished upon request.

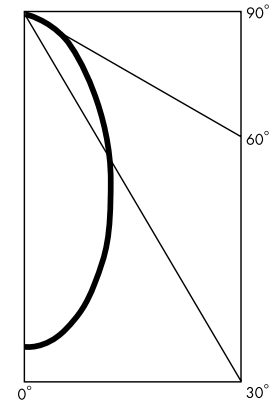
Luminaire track-mounted LED wallwasher with a 56° internal reflector, a 40° x 70° spread lens and a specular hammer tone kicker reflector.
 Lamp Citizen LED Module, 3600 lumens, 3000K
 Lamp Life rated 50.000 hours based on L70/B50 criteria. LM80 report by LED manufacturer furnished upon request

WALLWASH INFORMATION

| Distance From Ceiling (Feet) | 3' From Wall; 3' O.C. (2100 lumens) | | 3' 6" From Wall; 3' 6" O.C. (2100 lumens) | | 4' From Wall; 4' O.C. (4000 lumens) | |
|------------------------------|--|------------------|--|------------------|--|------------------|
| | Below Fixture | Between Fixtures | Below Fixture | Between Fixtures | Below Fixture | Between Fixtures |
| 1 | 22 | 20 | 15 | 14 | 19 | 17 |
| 2 | 28 | 27 | 20 | 19 | 25 | 24 |
| 3 | 31 | 29 | 22 | 21 | 28 | 27 |
| 4 | 28 | 28 | 22 | 22 | 29 | 28 |
| 5 | 23 | 22 | 19 | 19 | 27 | 28 |
| 6 | 18 | 18 | 16 | 16 | 24 | 24 |
| 7 | 14 | 14 | 13 | 13 | 21 | 20 |
| 8 | 11 | 11 | 11 | 11 | 18 | 17 |
| 9 | 9 | 9 | 9 | 9 | 15 | 14 |
| 10 | 7 | 7 | 7 | 7 | 12 | 12 |
| 11 | 6 | 6 | 6 | 6 | 10 | 11 |
| 12 | 5 | 5 | 5 | 5 | 9 | 8 |
| 13 | | | | | 7 | 7 |
| 14 | | | | | 6 | 6 |
| 15 | | | | | 5 | 5 |

This table lists initial illuminance values at the center of a row of at least 5 fixtures with no contribution from ceiling or floor reflectance. Fixtures were modeled with maximum candlepower at 10° to 15° above vertical.

CANDLEPOWER DISTRIBUTION



LUMINAIRE LIGHT OUTPUT AND EFFICACY

| LED Module Type | Luminaire Light Output | Luminaire Efficacy (lms/watt) | System Wattage |
|-----------------|------------------------|-------------------------------|----------------|
| L36S | 1655 | 61 | 27 |
| L24S | 1125* | 63* | 18 |
| L31H | 1407* | 52* | 27 |
| L21H | 960* | 53* | 18 |
| L28A | 1274* | 47* | 27 |
| L19A | 861* | 48* | 18 |

*estimated values