

Project

Type



Date Product Code

Designer

IDM ARTIMA®/5 NSP

track mounted LED 9° spotlight with integral dimmer



IDM Artima/5 NSP with Ring Baffle with lens clips (OG)

IDM Artima/5 NSP with Open Aperture (OH)

- Luminaire may be configured to mount to any of eighteen 20-amp, 120-volt track systems – or – to any of six 277-volt track systems.
- Whether operated on 120-volt or 277-volt track, luminaire may be dimmed to 10% by an integral rotary dimmer located on one side of the driver case. Dimmer control shaft is spring loaded, permitting shaft to be exposed for adjustment and then depressed flush with the driver case to conserve dimmer setting. ‘Clock face’ markings permit registration of dimmer setting. (See illustrations below.)
- An on-off rocker switch, mounted in the driver case, is included standard on luminaires equipped for 120-volt track only.
- Fixture appearance and performance can be changed with your choice of Aperture Assembly.
- Aperture Assembly choices
 - Ring Baffle (OP) for enhanced glare control (not shown above).
 - Ring Baffle with lens clips (OG) for enhanced glare control; clips accept one or two Optical Accessories including spread lenses, filters and screens.
 - Open Aperture (OH) for maximum efficacy; concealed lens holder accepts one or two Optical Accessories.
- Optical Accessories: Both OG and OH Aperture Assemblies accept one or two of a number of spread lenses or color filters. A complimentary beam smoother is included with either assembly.
- Luminaire provides 385° horizontal rotation and vertical adjustment from 0° to 90°. Lamp focus can be locked by tightening two collar clamps using a 9/64" hex key.
- For more information, [click here](#).

IDM Artima/5 NSP is a track mounted 9° spotlight powered by Citizen chip-on-board LED's providing either a CRI of 97 within 2-step MacAdam ellipses or a CRI of 80 within 3-step MacAdam ellipses, capable of CBCP as high as 55,671. See tables on reverse for wattages and efficacies.

PRODUCT CODE

For complete product code, list basic unit and select one item from each following box.

Basic Unit IDM-A5* CZS2

Track Configuration

120-volt track (e.g. SightLine) - 2C

277-volt track (e.g. HighLine) no switch; not dimmable - HC

Finish

white: white paint, white lead cord, matte aluminum heat sink; white switch - WH

black: black paint, black lead cord, black heat sink; black switch - BL

Industrial Silver: silver paint, black lead cord, black heat sink; black switch - SI

custom color: include point number or physical chip with order and select one from below

- white lead cord, matte aluminum heat sink; white switch - CCW
- black lead cord, black heat sink; black switch - CCB
- any other combinations require a special order

Aperture Assembly

Ring Baffle without Optical Accessory clips (not shown) - OP

Ring Baffle with Optical Accessory clips - OG

Open Aperture - OH

Beam Spread Reflector

9° narrow spot - 9D

Light Source Output (Lumens)

2800 lumens / 97 CRI 2700K, 3000K & 4000K only - L28A

3600 lumens / 80 CRI - L36S

Light Color

2700 K - 27K

3000 K - 30K

3500 K not available with all Light Outputs (see above) - 35K

4000 K not available with all Light Outputs (see above) - 40K

5000 K not available with all Light Outputs (see above) - 50K

Dimming Notes:

- Fixture may be dimmed only by its integral dimmer.
- Fixture cannot be dimmed by a dimmer of any kind on the track circuit.
- Fixture may be damaged by use of an incandescent or ELV dimmer on the track circuit.
- Fixture will not be dimmed or damaged by use of a 0-10V dimmer on the track circuit.

EXTRA APERTURES Specify as separate line items.

Aperture Assembly

Ring Baffle RK-A5-CZ-OG

Open Aperture RK-A5-CZ-OH

OPTICAL ACCESSORIES ▼ See next page

For the outlet box mounted version of luminaire, see [IDM Artima/5 O NSP-OBM](#).

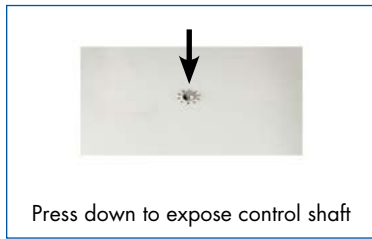


41-50 22ND STREET, LIC NY 11101 TEL 718.685.0700 FAX 718.786.8530 www.epl.com

©Copyright, Edison Price Lighting 2019
Artima is a registered trademark of Edison Price Lighting.

TF 11-178.5 8:19

DIMMER OPERATION



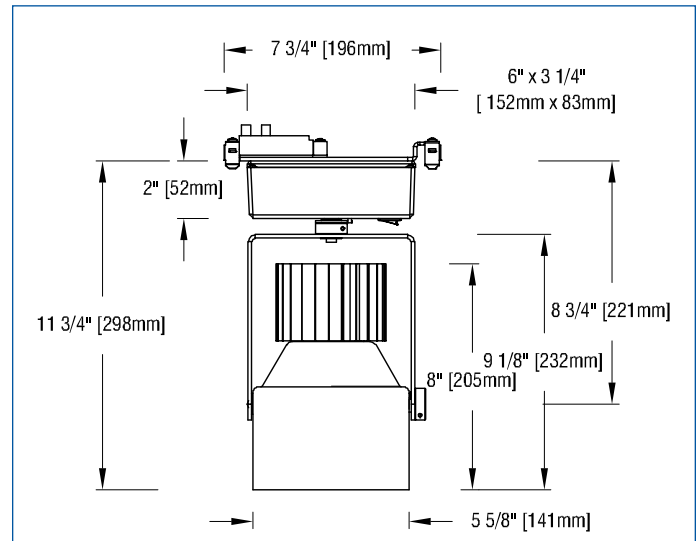
OPTICAL ACCESSORIES

Suitable for use only with 'OG' and 'OH' models.

Specify as separate items.

All are 4 3/4" (121 mm) diameter. Lenses and filters are glass; screens are aluminum.

30° spread lens	LENS/4.75-30
20° x 55° spread lens	LENS/4.75
70° spread lens	LENS/4.75-70
prismatic lens (Solite)	PLS/4.75
40° x 70° spread lens	LENS/4.75-4070
beam smoother	CLR/4.75
color filters	
Daylight Blue	DAY/4.75
Surprise Pink	PNK/4.75
amber	AMB/4.75
blue	BLU/4.75
green	GRN/4.75
red	RED/4.75
33% light reduction screen	SCR33/4.75
50% light reduction screen	SCR50/4.75



APPLICATIONS

Luminaire is suitable for spotlighting objects in museums, galleries, showrooms, residences, offices and stores.

Luminaire is listed for mounting on Edison Price Lighting 120-volt or 277-volt track.

Fixture Spacing Requirements The track adapter of this fixture is 7 3/4" long. For this reason 1) it cannot be track-mounted closer than 8" on center and 2) it cannot be used with 2 of our 7 **Unicep** single-fixture track units.

Warranty Details

- This fixture is not suitable for use in direct sunlight, as under a skylight. Fixtures used in this way are not covered by our warranty.
- Our 5-year warranty does not include the provision of extraordinary means of access, e.g. scaffolding or Genie lifts, to service a product.

– see below for photometric reports –



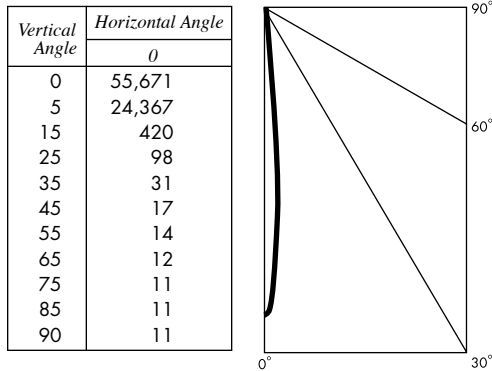
PHOTOMETRIC REPORT (tested per IESNA LM-79-2008)

Verification Services Report No. 12186406.02. Original test report furnished upon request.



Luminaire track-mounted LED accent light with a 9° reflector and black ring baffle (NO LENS)
 Lamp Citizen LED, 3600 lumens, 3000K CCT
 Lamp Life rated 50.000 hours based on L70/B50 criteria. LM80 report by LED manufacturer furnished upon request

CANDLEPOWER DISTRIBUTION



LUMINAIRE LIGHT OUTPUT AND EFFICACY

LED Module Type	Luminaire Light Output	Luminaire CBCP	Luminaire Efficacy (lumens/watt)	System Wattage
3600 Lumens 80 CRI (L36S)	1977*	55,671*	73*	27
2800 Lumens 97 CRI (L28A)	1503*	42,341*	56*	27

*estimated values

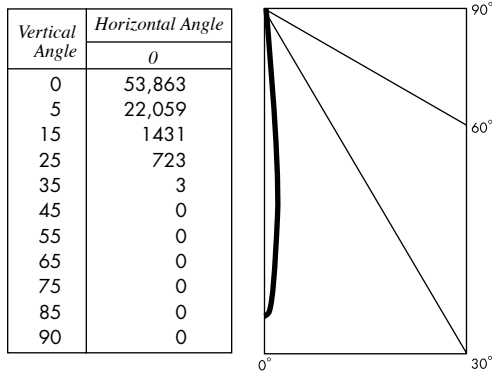
PHOTOMETRIC REPORT (tested per IESNA LM-79-2008)

Prorated from Verification Services Report No. 755333. Original test report furnished upon request.



Luminaire track-mounted LED accent light with a 9° reflector and black lens holder (NO LENS)
 Lamp Citizen LED, 3600 lumens, 3000K CCT
 Lamp Life rated 50.000 hours based on L70/B50 criteria. LM80 report by LED manufacturer furnished upon request

CANDLEPOWER DISTRIBUTION



LUMINAIRE LIGHT OUTPUT AND EFFICACY

LED Module Type	Luminaire Light Output	Luminaire CBCP	Luminaire Efficacy (lumens/watt)	System Wattage
3600 Lumens 80 CRI (L36S)	2366*	53,863*	88*	27
2800 Lumens 97 CRI (L28A)	1799*	40,967*	67*	27

*estimated values

STANDARD DRIVER INFORMATION (UL Class 2, dry and damp loca-

Voltage	120	277
Input Watts (L36S/L28A)	27/27	27/27
Input Current(A) (L36S/L28A)	.23/.23	.10/.10
Output Current (mA)	500-1100	500-1100
Min. Power Factor	0.90	0.90
Operating Temperature Range (F)	-4 to 122	-4 to 122

LIGHT OUTPUT MULTIPLIER

LED Module Type	Light Output Multiplier
3600 Lumens 80 CRI (L36S)	1.0
2800 Lumens 97 CRI (L28A)	0.76*

*estimated values